

LF synthesizer 1mHz-2MHz

PM 5190

9445 051 90001

Instruction manual

9499 453 00502

800515/1/01-03

A large, irregular black graphic shape occupies the center of the page. In the bottom right corner of this shape, the letters 'S&i' are printed in a large, white, bold, sans-serif font. The 'S' and 'i' are connected, and the ampersand is integrated into the design.

S&i

Scientific & Industrial equipment division



PHILIPS

LF synthesizer 1mHz-2MHz

PM 5190

9445 051 90001

Instruction manual

Gerätehandbuch

Mode d'emploi et d'entretien

9499 453 00502

800515/1/01-03



PHILIPS

Please note

In correspondence concerning this instrument, please quote the type number and serial number as given on the type plate.

Bitte beachten

Bei Schriftwechsel über dieses Gerät wird gebeten, die Typennummer und die Gerätenummer anzugeben. Diese befinden sich auf dem Typenschild an der Rückseite des Gerätes.

Noter s. v. p.

Dans votre correspondance et dans vos réclamations se rapportant à cet appareil, veuillez toujours indiquer le numéro de type et le numéro de série qui sont marqués sur la plaquette de caractéristiques.

Important

As the instrument is an electrical apparatus, it may be operated only by trained personnel. Maintenance and repairs may also be carried out only by qualified personnel.

Wichtig

Da das Gerät ein elektrisches Betriebsmittel ist, darf die Bedienung nur durch eingewiesenes Personal erfolgen. Wartung und Reparatur dürfen nur von geschultem, fach- und sachkundigem Personal durchgeführt werden.

Important

Comme l'instrument est un équipement électrique, le service doit être assuré par du personnel qualifié. De même, l'entretien et les réparations sont à confier aux personnes suffisamment qualifiés.

© Philips GmbH — Hamburg — Germany — 1980

All rights are strictly reserved.

Reproduction or divulgation in any form whatsoever is not permitted without written authority from the copyright owner.

Issued by Philips GmbH -Unternehmensbereich Elektronik für Wissenschaft und Industrie- Werk für Meßtechnik

Printed in Germany

C O N T E N T S

OPERATING MANUAL

1.	GENERAL	
1.1.	Introduction	E 1-1
1.2.	Technical data	E 1-2
1.3.	Accessories	E 1-8
1.4.	Operating principle	E 1-9
2.	INSTALLATION	
2.1.	Safety regulations	E 2-1
2.2.	Mounting	E 2-2
2.3.	Earthing	E 2-2
2.4.	Dismantling the instrument	E 2-2
2.5.	Mains connection	E 2-2
3.	OPERATING INSTRUCTIONS	
3.1.	Controls and sockets	E 3-1
3.2.	Operation	E 3-3
3.3.	IEC bus	E 3-9
3.3.1.	Introduction	E 3-9
3.3.2.	Remote operation	E 3-10
3.3.3.	Programming examples	E 3-14
3.3.4.	Application examples	E 3-20

SERVICE PART

4.	CIRCUIT DESCRIPTION	
4.1.	Oscillator	4-1
4.2.	IEC bus interface	4-1
4.3.	Control circuit	4-1
4.4.	Keyboard and display	4-2
4.5.	Digital signal synthesis	4-2
4.6.	Digital to analog converter	4-5
4.7.	Low-pass filter	4-5
4.8.	Square wave generator	4-5
4.9.	Square wave pre-amplifier	4-6
4.10.	Amplitude modulation	4-6
4.11.	Buffer amplifier, amplitude control, compensation	4-6
4.12.	DC generator	4-7
4.13.	Output amplifier, attenuator	4-7
4.14.	Power supply	4-7

5.	ACCESS TO PARTS	
5.1.	Cabinet	5-1
5.2.	Pushbuttons	5-1
5.3.	Textplate	5-1
5.4.	Unit 1	5-1
5.5.	Unit 2	5-1
5.6.	Unit 3, Unit 4	5-2
5.7.	Fuse, mains transformer	5-2
6.	CHECK AND ADJUSTMENT	
6.1.	General	6-1
6.2.	Overall functional test	6-1
6.3.	Diagnostic program	6-1
6.4.	Adjustments	6-5
6.5.	Final check	6-9
6.6.	Check after repair and maintenance	6-10
7.	PARTS LIST	7-1
7.1.	Mechanical parts, miscellaneous, parts not on unit	7-1
7.2.	Electrical parts	7-2
8.	Figures 30 - 45	
Fig.30	Block diagram	
Fig.31	Front view	
Fig.32	Rear view	
Fig.33	Handle: spare parts	
Fig.34	BNC output sockets: spare parts	
Fig.35	Mains cable: spare parts	
Fig.37	Overall circuit diagram	
Fig.38	Unit 3, display p.c.b. lay-out	
Fig.39	Unit 4, keyboard p.c.b. lay-out	
Fig.40	Unit 4, keyboard circuit diagram	
Fig.41	Unit 3, display circuit diagram	
Fig.42	Unit 1, analogue p.c.b. lay-out	
Fig.43	Unit 1, analogue circuit diagram	
Fig.44	Unit 2, digital p.c.b. lay-out	
Fig.45	Unit 2, digital circuit diagram	
9.	CODING SYSTEM OF FAILURE REPORTING FOR QUALITY	
10.	ADDRESSES FOR SALES AND SERVICE	
11.	T + M REPLY CARD	

I N H A L T

GEBRAUCHSANLEITUNG

1.	ALLGEMEINES	
1.1.	Einleitung	D 1-1
1.2.	Technische Daten	D 1-2
1.3.	Zubehör	D 1-7
1.4.	Funktionsprinzip	D 1-8
2.	VORBEREITUNGSANWEISUNGEN	
2.1.	Sicherheitstechnische Hinweise	D 2-1
2.2.	Aufstellen	D 2-2
2.3.	Erden	D 2-2
2.4.	Öffnen des Gehäuses	D 2-2
2.5.	Netzanschluß	D 2-3
3.	BETRIEBSANLEITUNG	
3.1.	Bedienelemente und Anschlüsse	D 3-1
3.2.	Bedienung	D 3-3
3.3.	IEC-Bus	D 3-9
3.3.1.	Einleitung	D 3-9
3.3.2.	Externe Steuerung	D 3-11
3.3.3.	Programmierbeispiele	D 3-15
3.3.4.	Anwendungsbeispiele	D 3-21

SERVICE PART; siehe englisches Inhaltsverzeichnis

S O M M A I R E

MODE D'EMPLOI

1.	GENERALITES	F 1-1
1.1.	Introduction	F 1-1
1.2.	Caractéristiques techniques	F 1-2
1.3.	Accessoires	F 1-7
1.4.	Description de fonctionnement	F 1-8
2.	INSTALLATION	
2.1.	Consignes de sécurité	F 2-1
2.2.	Montage	F 2-2
2.3.	Mise à la terre	F 2-2
2.4.	Démontage de l'appareil	F 2-2
2.5.	Branchement de l'appareil	F 2-2
3.	MISE EN SERVICE	
3.1.	Commandes et douilles	F 3-1
3.2.	Mise en service	F 3-3
3.3.	IEC bus	F 3-7
3.3.1.	Introduction	F 3-7
3.3.2.	Contrôle à distance	F 3-8
3.3.3.	Exemples de programmation	F 3-13
3.3.4.	Exemples d'application	F 3-18

MODE D'ENTRETIEN; voir le sommaire anglais

Operating manual

1. GENERAL

1.1. INTRODUCTION

The LF synthesizer PM 5190 is a versatile high performance signal generator. It produces three wave forms, namely sine wave, square wave or triangular wave form in the frequency range from 1mHz to 2MHz. The instrument is designed for most professional applications, where a stable signal source is asked for, for development laboratories, including calibration purposes and advanced educational programs.

The frequency settings of the synthesizer are highly accurate due to X-tal controlled generation. All basic signal parameters, i.e. frequency, amplitude, dc offset and wave form are set via keyboard in the local mode of operation. In addition all these parameters are remotely programmable via the built-in IEC bus interface. In local as well as in remote operational mode these parameters are indicated by a bright seven segment LED display in combination with dimension and wave form LED's.

A microprocessor represents the central data processing and control unit of the instrument. It accepts input data from the keyboard or via IEC bus. After diagnosing and processing these data it stimulates the various functional units of the instrument for proper response via assigned I/O ports. In case of incompatible settings the microprocessor initiates the LED display flashing.

A rub-out facility allows fast alteration or correction of keyboard input data.

The inherent signal generation technique of the instrument is called direct digital signal synthesis:

Succeeding digital samples of the signal are computed by a fast processing TTL circuitry and converted to analogue. This technique effects extreme fast responding on alternate frequency settings.

Remote data programming is organized according to the international standard "Interface System for Programmable Measuring Apparatus", called IEC bus. So via the built-in IEC bus interface the PM 5190 co-operates with all Philips and non-Philips IEC bus instruments.

The dc output voltage may be selected separately or whenever used as dc offset voltage added to the output signal.

The generator provides external amplitude modulation facility.

For TTL circuitry testing and stimulating a separate TTL output is available.

All these facilities are built into a compact portable housing. The clearly designed frontpanel and the simplicity of keyboard input as well serve for convenient operating the instrument.

1.2. TECHNICAL DATA

General information:

On delivery from the factory, the instrument complies with the safety regulations of measuring and control equipment. The information and warnings contained in this instruction manual must be followed by the user to ensure safe operation and to maintain the instrument in a safe condition.

- Only data with indicated tolerances or limits are guaranteed; data without tolerances are only given for guidance.
- All specifications will be met after a warm-up time of 30 min. when keeping the instrument in a constant mounting position.
- Inaccuracies (absolute or in %) relate to the indicated reference value.

1.2.1. Frequency

nominal range	1 mHz - 2 MHz
measuring range	0.001 Hz - 2000 kHz for sine wave, square wave 0.001 Hz - <100 kHz for triangular wave
setting	local : via front panel keyboard remote: via IEC bus interface
resolution	6 digits
display	6-digit 7-segment LED display 6 decimal points 2 LEDs for dimension Hz, kHz
setting error	$\pm 1 \times 10^{-6}$ at 23°C
temperature coefficient	$< 1 \times 10^{-6}/K$
aging	$< 1.5 \times 10^{-6}$ per year

1.2.2. Wave forms

selectable wave forms	sine wave, square wave, triangular wave, all time-symmetrical, all with or without dc offset; dc voltage without ac,
selection	local : via front panel keyboard remote: via IEC bus interface
indication	LEDs for the selected wave form
<u>Sine wave</u>	
total harmonic distortion	< 0.4% for frequencies 1 mHz to 50 kHz < 1.5% for frequencies 50 kHz to 2 MHz
non-harmonic components at max. amplitude	< -46 dB
phase noise	< -50 dB within 30 kHz bands, centered to the output frequency; (frequencies > 50 kHz)
<u>Square wave</u>	
rise time, fall time	< 50 ns
duty cycle	50%
- tolerance	< 0.5% (f=1 kHz)
tilt	< 3% (f < 100 kHz)
overshoot	< 3%
<u>Triangular wave</u>	
frequency range	1 mHz - < 100 kHz
linearity error	< 1% for frequencies < 10 kHz

1.2.3. Modulation

mode	amplitude modulation, external
mode indication	LED
carrier	
- wave form	sine wave, triangular wave
- frequency	> 10 Hz
modulation frequency	dc...20 kHz
modulation coefficient	0.1 V /10% AM
modulation depth	0...90%
connection	BNC input socket AM EXT, rear side
- input impedance	20 kOhm
- max. external voltage	±30 V
- reference potential	external contact of BNC socket

1.2.4. Output

connection	BNC socket
impedance	50 Ohm, ±2%
load capability	short-circuit proof
max. external voltage	±15 V
reference potential	external contact of BNC socket

AC voltage

amplitude range	0 - 19.9 Vac,pp, open circuit
sub-ranges	
I	.000 - .199 Vac
II	0.00 - 1.99 Vac
III	00.0 - 19.9 Vac
minimum increments	1 mV in sub-range I 10 mV in sub-range II 0.1 V in sub-range III

setting	local : via front panel keyboard remote: via IEC bus interface
resolution	2 1/2 digits
display	2 1/2-digit 7-segment LED display 3 decimal points
setting error	$\pm 3\%$ for settings 02.0 V ac 19.9 V for frequencies 100 kHz $+3\%/-6\%$ for settings 02.0 V ac 19.9 V for frequencies 100 kHz
temperature coefficient	$< 0.1\%/K$
<u>DC offset voltage</u>	
dc voltage range	0 - 9.9 Vdc, open circuit
sub-ranges I	.000 - .099 Vdc
II	0.00 - 0.99 Vdc
III	00.0 - 09.9 Vdc
sub-range selection	determined by ac sub-range setting
minimum increments	1 mV in sub-range I 10 mV in sub-range II 0.1 V in sub-range III
polarity	positive or negative polarity
setting	local : via front panel keyboard remote: via IEC bus interface
resolution	2 digits
display	polarity +/- 2-digit 7-segment LED display 3 decimal points, position determined by ac decimal point setting
setting error	$\pm 4\%$ from 10% to 100% of each sub-range
temperature coefficient	$< 0.1\%/K$ from 10% to 100% of each sub-range
max. dc voltage setting	depending on ac voltage setting: dc indication $\leq 100 - (\text{ac indication})/2$; decimal points ignored

1.2.5. TTL output

connection	BNC socket TTL OUT
duty cycle	50%
fan out	≥ 10 TTL inputs
level	standard TTL level: high > 2.4 V low < 0.8 V
external voltage	not proof against external voltage > 5 V

1.2.6. Out-of-range indication

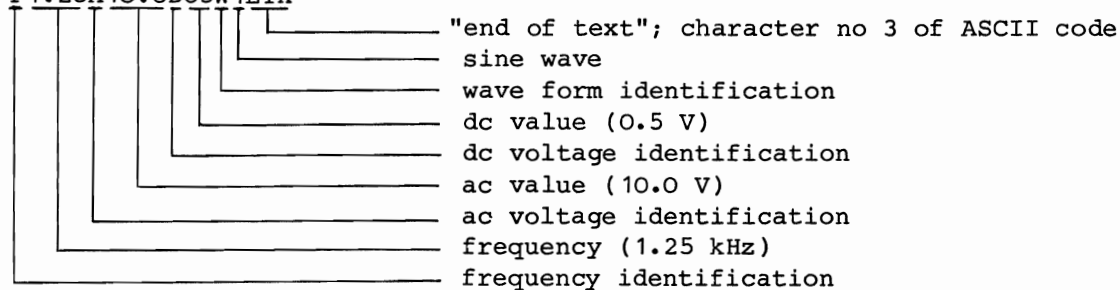
display flashes, if	<ul style="list-style-type: none"> - frequency setting > 2000 kHz - frequency setting ≥ 100 kHz for \sphericalangle - frequency resolution < 1 mHz - dc voltage exceeds the max. dc voltage setting
---------------------	--

1.2.7. Remote control

conformity	IEC-625: Interface System of Programmable Measuring Apparatus
interface	built-in IEC bus interface
- input/output system	bit parallel - character serial
- input/output code	ISO-7 bit code (similar to ASCII)
- input/output levels	L = -0.5 V... $+0.8$ V H = $+2.0$ V... $+5.5$ V
remote state indication	front panel LED
programmable parameters	<ul style="list-style-type: none"> - frequency - ac voltage - dc voltage - wave form
response time	7 ms for frequency 6 ms for ac voltage 14 ms for dc voltage 5 ms for wave form
interface functions	<ul style="list-style-type: none"> - AH1 : acceptor handshake, complete - L2 : basic listener - RL1 : remote-local capability, no local lock-out

programming example:

F1.25A10.0D05W1ETX



connection	25-pole standard interface connector, rear side
max. external voltage	-0.5 V/+5.5 V
reference potential	measuring earth
connector housing	connected to protective conductor

1.2.8. Power supply

	ac mains
nominal values	110 V/128 V/220 V/238 V, selectable by solder links
nominal operating range	+10% of selected nominal value
operating limits	+10% of selected nominal value
nominal frequency range	50 - 60 Hz
- tolerance	+5% of nominal frequency range
power consumption	59 VA

1.2.9. Environmental conditions

ambient temperature	
- reference value	+23 °C ±1 °C
- nominal range	+ 5 °C...+40 °C
- limits for storage and transportation	-40 °C...+70 °C
relative humidity	
- reference range	45...75%
- nominal working range	20...80%
air pressure	
- reference value	1013 mbar (≅760 mm Hg)
- nominal working range	800...1066 mbar (up to 2200 m height)
air speed	
- reference value	0...0.2 m/s
- nominal working range	0...0.5 m/s
radio interference voltage	level of interference < K
operating position	normally upright on feet or with handle fold down
warm-up time	30 min.

1.2.10. Cabinet

protection type	IP 20 (see DIN 40 050)
protection class	class I, protective conductor (see IEC 348)
overall dimensions	
- height	140 mm
- width	310 mm
- depth	365 mm
weight	approx. 6.1 kg

1.3. ACCESSORIES

1.3.1. Standard

instruction manual
fuse 630 mA delayed

1.3.2. Optional

PM 9075, coaxial cable BNC-BNC
PM 9585, termination 50 Ohm/1 W
PM 9480, IEC bus cable (length 1m)
PM 9481, IEC bus cable (" 2m)
PM 9482, IEC bus cable (" 4m)
PM 9483, IEC/IEEE cable adaptor (1m)
Test-PROM
Book: "digital instrument course,
part 4: IEC bus interface"

1.4. OPERATING PRINCIPLE

The block diagram of the PM 5190 is shown in fig.30. The data input circuitry, IEC bus interface, keyboard and display with their data and control connections to the controlling micro-processor and the program memory are depicted in the upper part.

The adjusted parameters are transmitted with the aid of the IEC bus or keyboard interface components to the micro-processor, which then carries out the necessary adjustments of the I/O expanders (static control signals).

In detail, the following circuit blocks are controlled:

- generator (synthesizer) with: accumulator, complementer 1+2,
sine/triangle selector, sine ROM
- analog element with: DAC, low pas filter, square wave generator,
amplitude modulator, switching array
- dc-generator
- ac amplitude control
- output amplifier unit (output amplifier, attenuator)

The triangle and sine signal is generated as a binary sequence of numbers. The conversion of the binary sequence of numbers in stepped sine or triangle signals is effected in the 9 bit DAC. The following lowpass filter suppresses the alias frequencies, smoothes the signal and thus generates equidistant zero pauses within the sine signal. In the square wave generator, a time-symmetrical square wave signal is generated.

The amplitude modulation can be joined up into the sine/triangle signal path.

Thus 5 functions can be chosen: sine, square, triangle, AM sine and AM triangle.

Via a buffer amplifier, (buffer 2), the signal is applied to the 8 bit binary controlled amplitude control and further to the output amplifier. Its input is a virtual zero point at zero potential. The signal current and the current of the 8 bit controlled current of the dc-generator flow within this virtual zero point. Thus three modes of operation are possible: ac mode, ac + dc mode, and dc mode. The signal flows via the 0/20/40 dB attenuator to the output socket.

All clock frequencies needed are derived from a crystal stabilized master frequency in the clock pulse generator.

The power supply delivers +20 V and -20 V and two separate +5 V voltages. This separation diminishes coupling of the digital interference noise into the analogous circuitries.

2. INSTALLATION

2.1. SAFETY REGULATIONS

Upon delivery, the instrument complies with the required safety regulations. To maintain this condition and to ensure safe operation, it is recommended to follow the instructions below.

2.1.1. Before connecting

Mains voltage

Check whether the instrument is adapted to the nominal mains voltage.

Protection

This instrument is protected according to class I (protective earth) of the IEC 348 or VDE 0411. The mains cable provides earth connection. Outside specially protected rooms, the mains plug must be connected only to sockets with earthed contact.

It is not allowed to interrupt the earth connection inside or outside the instrument.

2.1.2. Maintenance and repair

Failure and excessive stress

If the instrument is suspected of being unsafe, take it out of operation permanently.

This is the case when the instrument

- shows physical damage
- does not function anymore
- is stressed beyond the tolerable limits (e. g. during storage and transportation)

Dismantling the instrument

When removing covers or other parts by means or tools, live parts or terminals could be exposed. Before opening the instrument, disconnect it from all power sources.

If the open live instrument needs calibration, maintenance or repair, it must be performed only by trained personnel being aware of the risks. After disconnection from all power sources, the capacitors in the instrument may remain charged for some seconds,

Fuses

Only use the specified fuses.

Repair, Replacing parts

Repairs must be made by trained personnel. Ensure that the construction of the instrument is not altered to the detriment of safety. Above all, leakage paths, air gaps and insulation layers must not be reduced.

When replacing, use only original parts. Other spare parts are only acceptable when the safety precautions for the instrument are not impaired.

2.2. MOUNTING

The instrument may be used in any desired position. With the handle fold down, the instrument may be used in sloping position; for this purpose press the buttons of the handle. Do not position the instrument on any surface which produces or radiates heat, or in direct sunlight.

2.3. EARTHING

Before switching on, the instrument must be earthed in conformity with the local safety regulations. The mains cable fixed to the instrument includes a protective conductor, which is connected to the earth contacts of the plug. Thus, when connected to an earthed mains socket, the cabinet of the instrument is consequently connected to the protective earth.

WARNING: Connect the mains cable plug only to a socket with protective earth contacts. This protection must not be made ineffective, e. g. by using an extension cable without earth protection!

The circuit earth potential applied to the external contacts of BNC sockets is connected to the cabinet by means of a parallel-connected capacitor and resistor. So correct HF-earthing of the circuit is obtained. The external contacts of the BNC sockets must not be used to connect a protective conductor.

2.4. DISMANTLING THE INSTRUMENT

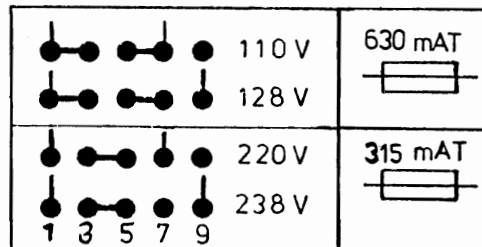
- Unplug the mains connector
- Fold up the handle to the top. For this push the buttons of the handle.
- Loosen the central screw at the rear
- Remove the lead-through of the mains cable from the cabinet
- Dismantle the cabinet

2.5. MAINS CONNECTION

The instrument must be connected only to an AC supply. On delivery the instrument is set to 220 V. Before mains connection, ensure that the local mains voltage ranges within the set mains voltage range indicated on the plate at the rear of the instrument.

If the instrument is to be used on a different supply voltage proceed as follows:

- Unplug the mains connector
- Dismantle the instrument, see 2.4.
- Resolder links on the mains transformer in accordance with the stick-on connection diagram. See also below.

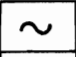
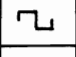
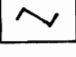
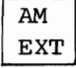
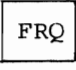
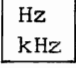
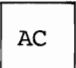
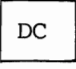
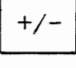
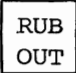


- Insert the supplied fuse 630 mA delayed into the fuse holder instead of the one built-in
- Change the mains voltage plate at the rear of the instrument in accordance with the mains voltage selected. The plates for the other supply voltages are inserted into a plastic cover, as the fuse just mentioned
- Close the instrument

Mains connection must be made in accordance with the local safety regulations. This implies that the instrument is connected to mains socket with protective earth contact (see para. 2.3.).

3. OPERATING INSTRUCTIONS

3.1. CONTROLS AND SOCKETS (Fig.31, 32)

legend	function												
POWER	mains switch:												
○ ON	white dot for ON position												
● OFF													
	pushbuttons for the required wave form, LED indication of the selected wave form:												
⊗ 	sine wave												
⊗ 	square wave												
⊗ 	triangular wave												
⊗ 	pushbutton and LED indication for selection of external amplitude modulation												
	pushbutton for preparation of frequency settings												
	pushbutton for selecting the frequency range .001 Hz - 999999 Hz .000001 kHz - 2000 kHz												
	pushbutton for preparation of signal output voltage settings												
	pushbutton for preparation of DC (offset) voltage settings												
	pushbutton for positive or negative DC voltage												
<table border="1" data-bbox="300 1440 528 1686"> <tr><td>7</td><td>8</td><td>9</td></tr> <tr><td>4</td><td>5</td><td>6</td></tr> <tr><td>1</td><td>2</td><td>3</td></tr> <tr><td>0</td><td>.</td><td></td></tr> </table>	7	8	9	4	5	6	1	2	3	0	.		keyboard (pushbuttons) for setting the - frequency - AC output voltage - DC (offset) voltage
7	8	9											
4	5	6											
1	2	3											
0	.												
	pushbutton for alteration or correction of keyboard input data												

legend

function

Hz

VAC pp

VDC

display for indication of the set


- frequency .X.X.X.X.X.X
- AC output voltage .X.X.X
- DC (offset) voltage .X.X.X

OUTPUT

BNC output socket for the signal

TTL OUT

BNC output socket for the TTL signal

AM EXT 
(rear side)

BNC input socket for the external amplitude modulation voltage

IEC BUS
(rear side)

standard 25-pole IEC bus connector for remote operation of the instrument

 REMOTE

LED indication for remote operation

3.2. OPERATION

3.2.1. Switching on the instrument

After the instrument has been connected to the mains in accordance with the paras. 2.3. and 2.4., it can be switched on by pressing the mains switch POWER. The white spot inside the POWER switch mechanically indicates that the instrument is switched on.

When switching on, the instrument is set to initial state, which is defined by

- no frequency generation
- no output voltage
- the display showing 000000 Hz .000 V ACpp +.000 V DC
and indicated sine wave: $\otimes \sim$

KEYBOARD INPUT

3.2.2. Setting the required output wave form

The following wave forms may be selected:

- sine wave
 - square wave
 - triangular wave
- and in combination with the external modulation facility
- sine wave / AM EXT
 - triangular wave / AM EXT.

The active wave form is indicated by LED's assigned to the pushbuttons. If you previously selected the square wave signal, the AM EXT button is inhibited.

If you previously chose \sim /AM EXT or \sphericalangle /AM EXT, and you select the square wave, the AM EXT function is switched off.

The modulating voltage must be fed in via the BNC connector at the rear side.

3.2.3. Setting the frequency

Choose the convenient frequency range by means of the alternately reacting button Hz/kHz; the range is indicated by LED's:

Hz for the range .001 Hz - 999999 Hz
kHz for the range .000001 kHz - 2000 kHz

For triangular wave form the upper frequency limit is 99.9999 kHz.

Push the button FRQ

The signal generator is set to the initial state, which is defined as follows:

- the frequency display section is blanked
- the output frequency is zero
- the output amplitude is zero
- the frequency section is prepared for frequency settings via the numerical part of the keyboard

The 6 digit display has left entry.

The output frequency immediately follows the state of the display.

The decimal point can be set at any position: .X.X.X.X.X

If you set a d.p. behind the 6th digit, it will not be accepted.

If a d.p. was set and you give in a second d.p. at a different position, this second action is accepted, while the first d.p. is blanked.

Trailing zeroes behind a d.p. may be left out, because they have no effect on the generated frequency.

It is up to you to make the choice of setting the frequency into different display positions, depending on convenient data entry.

1 Hz e.g. may be set as follows:

```

1          Hz
01         Hz
.
.
000001    Hz
1.         Hz
.
.
00001.    Hz
.001      kHz
.
.
000.001   kHz
etc.
```

For all these settings the same frequency accuracy results.

Out-of-range indication:

If you choose a setting exceeding the permitted ranges or resolution the display starts flashing.

```

e.g.  .0001    Hz  ~/□/~
      2001     kHz ~/□/~
      100      kHz  ~
      1.0001   Hz
```

Rub out facility

If you set a wrong figure or decimal point, you have two possibilities to correct them:

1. Push the FRQ key and start setting the data once more.
2. Push the RUB OUT key. By doing this the last digit keyed in is blanked. Repeated pushing the RUB OUT key continues blanking the figures from right to the left until the whole display field is blanked.

Remark: Changing from Hz to kHz and vice versa is possible without any RUB OUT action or without preparing the frequency setting by FRQ.

3.2.4. Setting the signal output voltage Vacpp, setting the dc (offset) voltage Vdc

Push the button AC.

The analogue output circuitry of the generator is set to the initial state being defined as follows:

- the output voltage is zero
- the ac display is blanked
- the dc display is set to 000
- the decimal points are set in front of the first digit for ac as well as for dc
- the amplitude control and attenuator section of the instrument and their display fields are prepared to accept settings via the numerical part of the keyboard

The maximum ac voltage is 19.9 Vac : so 2 1/2 digits can be set.

Therefore the 1st digit must be 0 or 1. If you push a numeric > 1,

- it is placed in the 2nd digit
- the 1st digit will be automatically set to 0
- the decimal point is shifted: 0.X

As stated for the frequency generation, the ac output voltage immediately follows the display status.

Shifting a decimal point

If you want a decimal point be shifted to the right, key in the d.p. behind the set digit; the old d.p. will be blanked. A d.p. behind the 3rd digit will not be accepted.

Alteration of ac settings may be done by pushing the AC key once more or by RUB OUT action. The effect of pushing the RUB OUT key conforms to the actions of frequency rub-out, except the decimal point: Erasing a digit with decimal point postponed causes the d.p. to be shifted one digit to the left. So in any case one d.p. is set in the ac display.

Setting the dc voltage

A dc output voltage may be selected separately or whenever used as dc offset voltage be added to the ac output signal.

Note: It is not possible to set a dc voltage without having previously set the ac value.

Push the button DC.

The dc generator is set to the initial state, which is defined as follows:

- the dc voltage is zero
- the first digit of the display remains being 0, the further two digits are blanked
- the decimal point is always fixed to the same position as in the ac display
- the internal dc generator and the assigned display field are prepared for settings via the numerical part including d.p. of the keyboard.

2 digits can be set. The maximum dc voltage is 9.9 Vdc, but is restricted with regards to the ac settings, see chapter "out-of-range indication" below.

As stated for the frequency and ac section, the dc generator output voltage immediately follows the display status, i.e. the single key-board settings.

Positive or negative dc voltage can quickly be changed by pushing the +/-key; the changing is alternately. It can be done at any time without pushing DC before.

Alterations of dc settings may be executed by pushing the DC key or RUB OUT key, the actions of which you are acquainted to out of the frequency and ac operating part.

But note: After completion of keying in the ac and dc data alterations or correction of the ac setting can only be achieved by AC key action, which besides of blanking the ac field resets the dc display too!

Out-of-range indication

The maximum dc offset voltage depends on the ac settings in order to prevent overdriving the output amplifier:

dc indication $\leq 100 - \text{ac indication}/2$;
decimal points ignored.

If your dc setting exceeds this limitation, the display starts flashing.

Examples:

Vac	Vdc	
	permitted	not permitted
10.	05.	05.1
19.9	00.0	00.1
19.8	00.1	00.2
00.3	09.8	09.9
1.19	0.04	0.05

3.2.5. Amplitude modulation


Two carrier wave forms can be selected:

- sine wave
- triangular wave

The actual wave form is indicated by LED's assigned to the pushbuttons.

If you selected the square wave signal, the AM EXT button is inhibited. If you previously chose \sim /AM EXT or \sphericalangle /AM EXT, and you select the square wave, the AM EXT function is switched off.

The modulating voltage must be fed in via the BNC connector at the rear side.

 The carrier amplitude pp is 1/2 of the indicated Vacpp.

So, when adjusting the carrier amplitude set the displayed value twice the effective amplitude!

3.3. IEC BUS

3.3.1. Introduction to the IEC interface bus

More and more measuring instruments are being used in systems designed for the automatic monitoring of some process or performance of multi-function measurements with a number of instruments.

These instruments may be listeners and (or) talkers which depends on the function of the instrument. Switching to listen or talk mode is done by means of a controller which is the head of a system and which is able to address the other instruments as talkers or listeners.

For more complex systems a special controller may be needed, while smaller systems can sometimes use controller functions built into one of the instruments.

Now such a system obviously requires some means of interconnection between the different units; this is the interface system. To ensure that all instruments can communicate, international agreements have been reached concerning the characteristics of such an interface system. These are laid down in an IEC document entitled "The IEC interface system for measuring apparatus".

What is the purpose of the IEC interface?

All instruments provided with facilities for the IEC bus interface can be used together in a system, no matter where they were made or who made them.

Users can thus select the instruments that meet their needs best, and combine them in a system, without having to worry about making a special interface.

The IEC bus

The IEC bus is a bus-line system with 16 parallel lines. Eight of these are combined in the "data bus", which is used for the transfer of measuring data, addresses and programming data. Three lines are used for the "data-byte transfer control"; (direct communication between a talker and one or more listeners). The remaining 5 lines are for general interface-management messages (communication between the control element and the other devices). Up to 15 instruments can be interconnected by an IEC bus system. This is limited by the maximum bus-load that can be driven. The maximum number of instruments to be addressed is 31 (5 bits for selecting the device-address). These may be talkers and (or) listeners. Each instrument has its own coded address, while a dual-function instrument (one that can function both as talker and a listener) has both a talker address and a listener address. As we have already mentioned, at a given moment only one instrument can be addressed as talker but several as listener.

Talk - listen - control

In a well organized meeting, people talk one at a time, while the rest listen to what is of interest for them. The chairman decides who should do the talking at a given moment. The communication between the instruments in a system is organized in a similar way (but more strictly than in a meeting). The control element plays the role of the chairman here; of course in order to do this job properly, it must itself be a talker part of the time and a listener the rest of the time. The other instruments will be talkers or listeners, as decided by the control element.

For example:

- A programmable DVM must be able to listen (to receive programming data) and to talk (to supply measuring data).
- A pulse generator can only listen (receive programming data).
- A tape reader can only be able to talk.

The control element must be able to control, talk and listen.

3.3.2. Remote operation of PM 5190

The LF synthesizer can be remotely controlled via the built-in IEC bus interface. Instruments provided with this facility can be used together in a system, no matter where they were made or who made them. Users can thus select the instruments that meet their needs best, and combine them into automated test and measuring systems without having to worry about making a special interface.

3.3.2.1 Interface functions of the PM 5190

Out of a set of operating capabilities each IEC bus instrument has its assigned interface function. For PM 5190 the following functions are valid:

- AH1: Acceptor Handshake interface function, complete: the acceptor handshake function provides the instrument with the capability to guarantee proper reception of remote multiline messages.
- L2: basic Listener interface function: the listener function provides the instrument with the capability to receive data via the interface from other devices.
- RL1: Remote/Local interface function; no local lock-out: the remote/local function provides the instrument with the capability to select between two sources of input information, either via front panel control (local) or via the interface (remote). "No local lock-out" means that the instrument, once being addressed via the IEC bus, cannot directly be switched over to keyboard input again. Keyboard actions will only be accepted after the controller has sent the GO TO LOCAL command, see next chapter and table of the ASCII code.

3.3.2.2 Addressing the instrument

In order to coordinate all devices connected onto the bus system, each instrument must have its individual address for identification. When a controller e.g. sets an address on the bus lines, all instruments compare the address with their own and the one that finds both to be the same reacts.

Addressing of IEC-bus instruments is achieved by a special bit pattern together with ATN being sent from a controller. Bit 1 to bit 5 of this pattern are selectable by means of switches, the decimal value of these five bits represents the device address in the table fig. 2. If, for instance, the device-address 4 (= 00100 binary value) is set by means of the five switches, the instrument can be addressed by sending the address 4 from a controller. If it is necessary to send the ASCII-code of the listener-address, the symbol 'g' must be sent to address the PM 5190 as a listener.

The device-address 31 (= ASCII character '?') cannot be used since it is reserved for the de-addressing command 'unlisten'.

On delivery the instrument is set to the address 4: (switches are set to 00100). This device address can be changed. For this 5 switches on the conductor side of the digital printed circuit board, unit 2, are accessible from the rear bottom part of the instrument (see fig.1). It is not necessary to remove the cabinet.

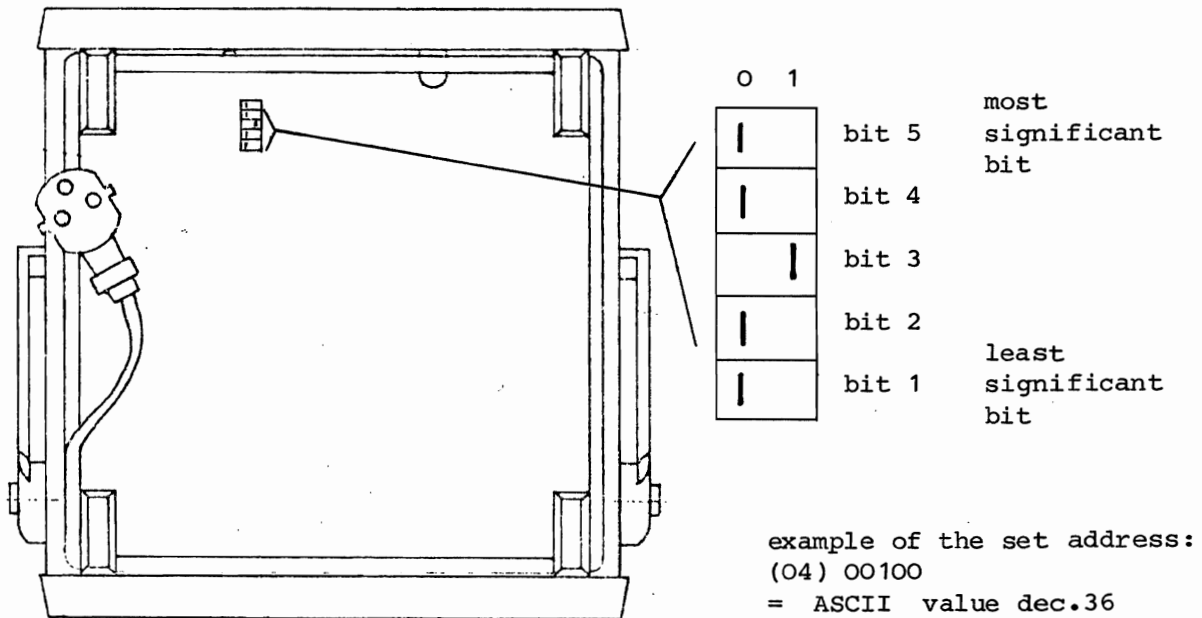


Fig.1 Addressing the instrument (bottom view)

When the address set on the bus by a controller is identically to this internal address, the instrument reacts and changes from keyboard input ("local" state) to IEC bus input ("remote" state). The remote state is indicated by a LED at the front panel. The synthesizer then will accept messages from the bus and will not react on keyboard inputs. The latter will only be possible again after the controller has sent the GTL (go to local) command, character No.1 of the ASCII code, SOH (start of heading), which is interpreted as GTL on the IEC bus.

LISTENER ADDRESSES									TALKER ADDRESSES									DEVICE ADDRESSES				
ASCII CHAR	DECIMAL VALUE	DIO BUS							ASCII CHAR	DECIMAL VALUE	DIO BUS											
		8	7	6	5	4	3	2			1	8	7	6	5	4	3		2	1		
SP	32	0	0	1	0	0	0	0	0	␣	64	0	1	0	0	0	0	0	0	0	0	0
!	33	0	0	1	0	0	0	0	0	A	65	0	1	0	0	0	0	0	0	0	1	1
"	34	0	0	1	0	0	0	0	1	B	66	0	1	0	0	0	0	0	1	0	0	2
#	35	0	0	1	0	0	0	1	1	C	67	0	1	0	0	0	0	0	1	1	0	3
\$	36	0	0	1	0	0	1	0	0	D	68	0	1	0	0	0	1	0	0	0	0	4
%	37	0	0	1	0	0	1	0	1	E	69	0	1	0	0	0	1	0	1	0	0	5
&	38	0	0	1	0	0	1	1	0	F	70	0	1	0	0	0	1	1	0	0	0	6
'	39	0	0	1	0	0	1	1	1	G	71	0	1	0	0	0	1	1	1	0	0	7
(40	0	0	1	0	1	0	0	0	H	72	0	1	0	0	1	0	0	0	0	0	8
)	41	0	0	1	0	1	0	0	1	I	73	0	1	0	0	1	0	0	1	0	0	9
*	42	0	0	1	0	1	0	1	0	J	74	0	1	0	0	1	0	1	0	1	0	10
+	43	0	0	1	0	1	0	1	1	K	75	0	1	0	0	1	0	1	1	0	0	11
,	44	0	0	1	0	1	1	0	0	L	76	0	1	0	0	1	1	0	0	0	0	12
-	45	0	0	1	0	1	1	0	1	M	77	0	1	0	0	1	1	0	1	0	0	13
.	46	0	0	1	0	1	1	1	0	N	78	0	1	0	0	1	1	1	0	0	0	14
/	47	0	0	1	0	1	1	1	1	O	79	0	1	0	0	1	1	1	1	0	0	15
0	48	0	0	1	1	0	0	0	0	P	80	0	1	0	1	0	0	0	0	0	0	16
1	49	0	0	1	1	0	0	0	1	Q	81	0	1	0	1	0	0	0	0	1	0	17
2	50	0	0	1	1	0	0	1	0	R	82	0	1	0	1	0	0	1	0	0	0	18
3	51	0	0	1	1	0	0	1	1	S	83	0	1	0	1	0	0	1	1	0	0	19
4	52	0	0	1	1	0	1	0	0	T	84	0	1	0	1	0	1	0	0	0	0	20
5	53	0	0	1	1	0	1	0	1	U	85	0	1	0	1	0	1	0	1	0	0	21
6	54	0	0	1	1	0	1	1	0	V	86	0	1	0	1	0	1	1	0	0	0	22
7	55	0	0	1	1	0	1	1	1	W	87	0	1	0	1	0	1	1	1	0	0	23
8	56	0	0	1	1	1	0	0	0	X	88	0	1	0	1	1	0	0	0	0	0	24
9	57	0	0	1	1	1	0	0	1	Y	89	0	1	0	1	1	0	0	0	1	0	25
:	58	0	0	1	1	1	0	1	0	Z	90	0	1	0	1	1	0	1	0	0	0	26
;	59	0	0	1	1	1	0	1	1	[91	0	1	0	1	1	0	1	1	0	0	27
<	60	0	0	1	1	1	1	0	0	\	92	0	1	0	1	1	1	0	0	0	0	28
=	61	0	0	1	1	1	1	0	1]	93	0	1	0	1	1	1	0	1	0	0	29
>	62	0	0	1	1	1	1	1	0	^	94	0	1	0	1	1	1	1	0	0	0	30
?	63	0	0	1	1	1	1	1	1	—	95	0	1	0	1	1	1	1	1	0	0	UNLISTEN UNTALK

Fig.2 Representation of multiline interface messages in ISO 7 bit code with the ASCII table.

	bit 7	bit 6	bit 5	bit 4	bit 3	bit 2	bit 1
Talk-addr.	1	0	x	x	x	x	x
Listen-addr.	0	1	x	x	x	x	x

device address (selectable)

Fig.3

3.3.2.3 Connecting cables for the IEC bus system

A range of connecting cables for computer controlled test and measuring equipment conforms to the IEC 625 system of interfacing. The cables are fitted with two 25-pole connectors at each end; one of the connectors is male, the other female. The two connectors are mounted back-to-back in an aluminium housing which is clamped onto the cable.

The cable contains 24 separately insulated conductors arranged as 12 twisted pairs.

A special adapter is also available for use with American test equipment which employs the IEEE-488/75 bus system.

4 standard cables meet the requirements:

- PM 9480 IEC bus cable, length 1 m
- PM 9481 IEC bus cable, length 2 m
- PM 9482 IEC bus cable, length 4 m
- PM 9483 IEC/IEEE cable adapter, length 1m

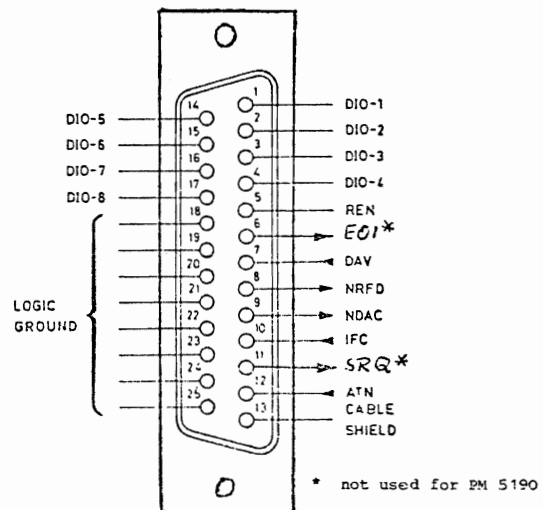
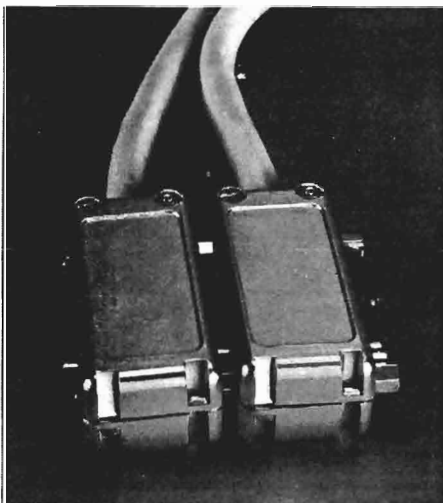


Fig.4 IEC bus cable connector

3.3.3. Programming examples

3.3.3.1 Frequency data string format

On the 8 bit parallel data lines the frequency instruction must be programmed as follows:

1.	2.	3.	4.	5.	6.	7.	8.	9.	byte
F	X	X	.	X	X	X	X	ETX	

- F: frequency identification
- the decimal point may be left out;
can be set at any position
- the dimension of the frequency is always kHz
- spaces are ignored
- 1 digit at least must be set
- if more than 6 digits are set, the first 6 are accepted, the further digits are ignored
- other characters than digits, decimal point or spaces are accepted, but will wrongly be interpreted
- ETX: end of text; may be left out and set at the end of the complete instruction;
initiates execution of the data preceded.

Example: F12.5ETX means

set frequency to 12.5 kHz
execute

Out-of-range indication:

If you choose a setting exceeding the permitted ranges or resolution, the display starts flashing, see chapter 3.2.3.

3.3.3.2 Ac/dc data string format

The ac/dc instruction must be programmed as follows:

1.	2.	3.	4.	5.	6.	7.	8.	9.	10.	byte
A	X	X	.	X	D	-	X	X	ETX	
└──────────┘					└──────────┘					
ac value					dc value					

- A: ac identification
- for the ac value 3 digits must be set;
leading and trailing zeroes must not be left out
- the first ac digit must be 0 or 1
- a decimal point must be set either in front of the 1st, 2nd or 3rd digit; otherwise the sequence will be ignored
- spaces are ignored
- D: dc identification; must be set as 6th byte; otherwise the sequence will be ignored
- for positive dc values the + sign must be left out;
in consequence the string comprises 9 bytes only
- for the dc value the decimal point must be left out, as it is determined by the ac d.p. setting; otherwise the complete instruction will be accepted but wrongly interpreted

Formatting with PET/cbm

When formatting the amplitude control string by means of the PET/cbm BASIC computer the main ideas for solving the problem are:

1. Adding a great decimal value to the amplitude value. The numerics of the decimal value at the positions of the amplitude value should be zeros.
2. Converting the sum of the two values to a string.
3. Dividing a substring with three characters including the decimal point depending on the amplitude A.

Example:

	A = 0.35 V
Decimal value for adding	100.0005
Sum of these values	100.3505
Segment of the sum with three characters for controlling the PM 5190.	<u>0.35</u>

You can see in which way leading and trailing zeros are provided by using this method.

The assignment of the position of the stringsegment to the value of the amplitude A you can see in the following table:

	A	A + 100.0005
< .2	0.001 . . . 0.199	100.0015 . . . 100.1995
< 2	0.2 . . . 1.99	100.2005 . . . 101.9905
> 2	2.0 . . . 19.9	102.0005 . . . 119.9005

There are three possibilities of constellation depending on the value A being less than .2 V, between .2 V and 2 V or greater than 2 V.

The following subroutine is an example for programming such a providing method to form an ac-control-string.

```
800 A$ = STR$(100.0005+A)
810 FOR I = 0 TO 2
820 IF A = .2*10I THEN 850
830 M$ = MID$(A$,5-I,4)
840 RETURN
850 NEXT I
```

In this small example the variable A represents the amplitude value. M\$ is the result of this algorithm, the correct formatted stringsegment to control the ac-setting of PM 5190.

Example: PRINT#5,"A";M\$;"DOO";CHR\$(3)

The meaning of CHR\$(3) is the control symbol ETX which must be sent to terminate the datastring.

The programming method shown above is very useful if you have to format a great many of different amplitude values. This can happen in case you want to program e.g. an amplitude sweep where the amplitude is a value which changes within a wide range.

Formatting the DC-value

As well as for the amplitude values it is only useful to write a special formatting-routine for the dc-values if you want to deal with a great many of different dc-offsets. Because of the necessity of coupling the ac- and dc-value in programming the PM 5190 we have thought for a formatting routine where both values are formatted and prepared, ready to be sent onto the IEC bus.

```

993 REM *****
994 REM
995 REM      AC/DC FORMATIERUNG
996 REM      -----
997 REM      BEI UEBERSCHREITUNG DES MAXI-
998 REM      MALEN AUSGANGSPEGELS ERFOLGT
999 REM      FEHLERMELDUNG UND
1000 REM      PROGRAMMSTOP
1001 REM
1005 IF A<=19.9 THEN 1030
1010 PRINT "ERROR:AMPLITUDE>19.9V"
1020 END
1030 A$=STR$(100.0005+A)
1040 FOR I=0 TO 2
1050 IF A>=.2*10^I THEN 1080
1060 M$=MID$(A$,5-I,4)
1070 GOTO 1090
1080 NEXT I
1090 IF I=0 THEN 1120
1100 IF I=1 THEN 1150
1110 IF I=2 THEN 1180
1120 IF A/2+D<.1 THEN 1210
1125 X=.1-A/2
1130 PRINT"ERROR:DC>=";X;"V"
1140 END
1150 IF A/2+D<1 THEN 1210
1155 X=1-A/2
1160 PRINT"ERROR:DC>=";X;"V"
1170 END
1180 IF A/2+D<10 THEN 1210
1185 X=10-A/2
1190 PRINT"ERROR:DC>=";X;"V"
1200 END
1210 D$=STR$(10.00005+D/10)
1220 N$=MID$(D$,7-I,2)
1230 RETURN

```

A is the amplitude value in volts
D is the value of the dc-offset in volts
M\$ is the correct formatted amplitude value
N\$ is the correct formatted dc-value without sign

Example: A = 1
D = 0.5

the result of the formatting routine is then

M\$ = 1.00
N\$ = 50

In case, that the dc-value is too large that with a given amplitude the output amplifier would be overshoot, the formatting routine initiates an error message and a program-stop.

Example: A = 1.23
 D = 1.

the error indication then would be:

ERROR : DC > = 0.38 V

The subroutine firstly executes a part for formatting the amplitude value A. The resulting value of the variable I is used in the following part for a previous examination of the dc-amount in the respect of range exceedings. If the dc-range is exceeded an error-message is given and the program is stopped, otherwise the string-segment is prepared by using the variable I in a way which is very similar to the way of preparing the amplitude. Leaving the subroutine you have a properly formatted dc-string N\$.

Bus data

The LF-synthesizer PM 5190 requires as termination of a control string the control character ETX (= ASCII 3). Using the PET/cbm BASIC Computer for programming the PM 5190 the ETX symbol is realized by CHR\$(3). Furthermore each data transfer from this controller to the generator must be opened with an OPEN instruction and closed with a CLOSE instruction.

Example for a frequency control string:

```
OPEN 5,4,0
PRINT#5,"F1";CHR$(3)
CLOSE 5
```

This small example shows you in which way the PM 5190 can be controlled from the PET/cbm BASIC-computer. In this case the frequency is set to 1 kHz with the string "F1", you remember, that in remote state each frequency declaration is done in kHz.

Example for an amplitude/dc-control string:

```
OPEN 5, 4, 0
PRINT#5,"A";M$;"D";N$;CHR$(3)
CLOSE 5
```

amplitude and dc-offset are set to the values of M\$ and N\$.

3.3.3.3 Format of the wave form control string

For setting the wave form the PM 5190 requires a control string in the following form:

```
1. 2. 3.  Byte
W X ETX
```

- W is the identification for wave form
- X is the parameter to select the wave form

```
1 = sine wave
2 = square wave
3 = triangular wave
4 = sine wave/AM ext.
5 = triangular wave/AM ext.
```

- Keying in any other parameter effects, that the command is refused to be executed.
- Spaces are ignored
- ETX = end of text (ASCII character 3); receiving this character starts execution of this command.

Thus each control string, for single and multiple instructions, must be terminated by ETX for the purpose of executing the transmitted commands.

3.3.3.4 Example for a multiple instruction

```
F3.3A1.50D05W1ETX
```

This complete instruction effects the setting of the following parameters:

```
frequency = 3.3 kHz
amplitude = 1.50 Vpp
dc-offset = +0.05 V, and the sine wave form.
```

With ETX this control string is executed which means that all the parameters are read from the processor in the PM 5190, converted to a special binary signal which is then used to control internal functional units like phase-accumulator, attenuator etc.

3.3.4. Application examples

3.3.4.1 Frequency response

In laboratories and development departments you often have to solve the problem of measuring frequency responses with a high accuracy e.g. < 0.05 dB in the frequency range up to 100 kHz or < 0.2 dB in the frequency range up to 1 MHz. The conventional method, the manual frequency setting and drawing the frequency response by hand, is a very uneffective and lengthy activity. Because it is no problem to get programmable measuring instruments with sufficient accuracy, there is no question to realize a test assembly for automatically data acquisition and analyzing e.g. with a small desk top calculator like PET/cbm. For this application we have used the programmable LF synthesizer PM 5190 and the digital RMS-voltmeter Fluke 8920A with bus-translator 1120A, fig.5. The result is plotted on the digital plotter PM 8150, fig.6. During the program is scanning the frequency range, all frequency values with the concerning amplitude-values are shown on the display. To get a wide frequency and amplitude range, the program calculates logarithmic scales for frequency, as well as for the amplitude-coordinate.

Specification of the test assembly

Instruments:

- | | |
|------------------------------|---|
| 1. LF-synthesizer PM 5190 | address 4 |
| 2. RMS-voltmeter Fluke 8920A | address 5 (the secondary address in the translator 1120A is switched off by shutting the solder switches 1 and 6) |
| 3. X-Y plotter PM 8150 | address 6 |

Measuring parameter

Starting the program, the desk-calculator asks for all parameters that are necessary for realizing a complete measuring cycle. This is a request for the user to type in the values on the calculator keyboard.

- | | |
|-----------------|--|
| 1. F1 (kHz) | lower limit of frequency range |
| 2. F2 (kHz) | upper limit of frequency range |
| 3. FO (kHz) | frequency reference value (the value which is measured at this point is set to 0 dB) |
| 4. n | number of steps between F1 and F2 |
| 5. A (Vpp) | output amplitude of generator |
| 6. D (V) | dc-offset of generator |
| 7. A1 (dB rel.) | lower dB-limit of co-ordinate-system |
| 8. A2 (dB rel.) | upper dB-limit of co-ordinate-system |

Explaining the measurements

The frequency range between F1 and F2 is divided into n steps in a logarithmic scale. Starting the program, the desired frequency range is measured step by step, in each of the n steps a voltage measurement (Urms) is done, each value and the concerning frequency are stored in the computer memory and listed on the display during the frequency range is scanned.

The second part of the program calculates the relative amplitude-values (in dB) and prints table with the frequency and the corresponding relative amplitudes.

After this the plotter starts drawing the co-ordinate-system and the curve of the frequency response. The point of the reference-frequency is marked as a small circle, the values A1, A2, F1 and F2 are written beside the corresponding co-ordinate-line. The values of reference-frequency, reference-amplitude and generator amplitude are written below the co-ordinate-system.

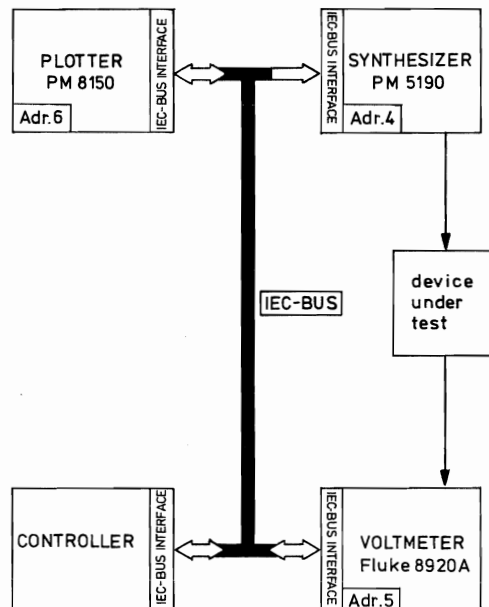


Fig.5

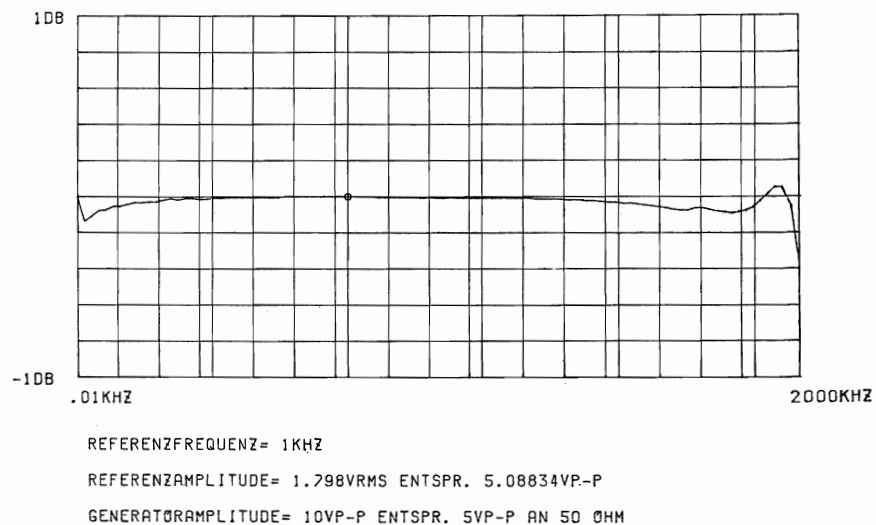


Fig.6

```

10 REM *****
20 REM
30 REM
100 REM ALLGEMEINES PROGRAMM ZUM
110 REM PLOTTEN VON AMPLITUDENGAENGEN
120 REM IM DOFFELT-LOGARITHMISCHEM
130 REM MASSSTAB; PARAMETER:
150 REM F1,F0,F2,N,A,A1,A2
160 REM
240 REM VERWENDETE GERAETE:
250 REM VOLTMMETER FLUKE 8920A, ADDR.5
260 REM PLOTTER PM5180, ADDR.6
270 REM LF-SYNTHESIZER PM5190, ADDR.4
275 REM
280 REM *****
281 REM
282 REM FELDDIMENSIONIERUNG
283 REM
290 DIM H(101):REM H(I)=FREQ.VARIABLE
295 DIM E(101):REM E(I)=SPGS.VARIABLE
300 REM
301 REM *****
302 REM
303 REM     PARAMETER - EINGABE
304 REM
310 PRINT "3":PRINT:PRINT
315 PRINT "EINGABE DER UNTEREN FREQ.-"
320 PRINT:PRINT "GRENZE F1(KHZ)  ";
325 INPUT F1
330 REM
335 PRINT:PRINT
340 PRINT "EINGABE DER OBEREN FREQ.-"
345 PRINT:PRINT "GRENZE F2(KHZ)  ";
350 INPUT F2
355 REM
360 PRINT:PRINT
365 PRINT "EINGABE DER REFERENZ-"
370 PRINT:PRINT "FREQUENZ F0(KHZ)  ";
375 INPUT F0
376 REM
380 PRINT:PRINT
385 PRINT "EINGABE DER ANZAHL DER "
390 PRINT:PRINT "FREQUENZSCHRITTE N (<=100). ";
395 INPUT N
396 REM
398 PRINT:PRINT
400 PRINT "EINGABE DER GENERATOR-"
405 PRINT:PRINT "AMPLITUDE A (VP-P)";
410 INPUT A
411 REM
412 PRINT:PRINT
415 PRINT "EINGABE DES GENERATOR-DC-"
416 PRINT:PRINT "WERTES D  ";
420 INPUT D
425 REM
426 PRINT:PRINT
428 PRINT "EINGABE DES MINIMALEN AUS-"
430 PRINT:PRINT "GANGSPEGELS(DB REL)";
435 INPUT A1
437 REM
439 PRINT:PRINT
440 PRINT "EINGABE DES MAXIMALEN AUS-"
445 PRINT:PRINT "GANGSPEGELS(DB REL)";
450 INPUT A2
455 REM
456 REM *****
457 REM
458 REM
460 DEF FNK(X)=LOG(F2/F1)/N
470 DEFFNH(Z)=INT(1E6*F1*EXP(FNK(X)*I)+.5)/1E6
474 REM
475 REM
476 REM
480 GOSUB 1000
485 OPEN 5,4,0
490 FOR I=0 TO N
500 PRINT#5,"F";FNH(Z);"A";M$;"D";N$;CHR$(3)
530 GOSUB 900
540 LET E(I)=E
545 LET H(I)=FNH(Z)
547 PRINT H(I), E(I)
550 NEXT I
555 CLOSE 5

560 REM
565 REM AUSLESEN DER AMPLITUDE
570 REM BEI F=F0
575 REM
580 OPEN 5,4,0
590 PRINT#5,"F";F0;CHR$(3)
600 CLOSE 5
610 GOSUB 900
620 E(101)=E
650 GOTO 1580:REM  -->  -->
850 REM
855 REM *****
860 REM
865 REM AUSLESEN DES MESSWERTES VOM
870 REM FLUKE VOLTMMETER 8920 A
875 REM IEC-ADRESSE = 5
880 REM MESSWERT = 'E'
885 REM
890 REM
900 OPEN 1,5,1
910 INPUT#1,E$
920 IF ST<>0 THEN 910
930 E=VAL(E$)
940 B=E
950 INPUT#1,D$
960 IF ST<>0 THEN 950
965 E=VAL(D$)
970 P=E-B
980 IF ABS(P)>.0005*B THEN 940
990 CLOSE 1
991 RETURN
993 REM *****
994 REM
995 REM     AC/DC FORMATIERUNG
996 REM     -----
997 REM BEI UEBERSCHREITUNG DES MAXI-
998 REM MALEN AUSGANGSPEGELS ERFOLGT
999 REM FEHLERMELDUNG UND
1000 REM PROGRAMMSTOP
1001 REM
1005 IF A<19.9 THEN 1030
1010 PRINT "ERROR:AMPLITUDE>19.9V"
1020 END
1030 A$=STR$(100.0005+A)
1040 FOR I=0 TO 2
1050 IF A>=.2*10^I THEN 1080
1060 M$=MID$(A$,5-I,4)
1070 GOTO 1090
1080 NEXT I
1090 IF I=0 THEN 1120
1100 IF I=1 THEN 1150
1110 IF I=2 THEN 1180
1120 IF A/2+D<.1 THEN 1210
1125 X=.1-A/2
1130 PRINT"ERROR:DC=";X;"V"
1140 END
1150 IF A/2+D<1 THEN 1210
1155 X=1-A/2
1160 PRINT"ERROR:DC=";X;"V"
1170 END
1180 IF A/2+D<10 THEN 1210
1185 X=10-A/2
1190 PRINT"ERROR:DC=";X;"V"
1200 END
1210 D$=STR$(10.00005+D/10)
1220 N$=MID$(D$,7-I,2)
1230 RETURN
1240 END
1500 REM *****
1510 REM
1520 REM FORTSETZUNG DES HAUPTPROGR.
1530 REM DARSTELLUNG DER MESSWERTE
1540 REM AUF DISPLAY.
1550 REM
1580 FOR I=1 TO N
1583 G$=STR$(H(I))
1586 L$=LEFT$(G$,8)
1587 W=INT(2E5*LOG(E(I)/E(101))/LOG(10))/1E4
1590 PRINT L$;"KHZ",W;"DB"
1600 NEXT I
1610 REM
1630 REM
2900 REM *****

```

```

2910 REM
2920 REM ZEICHNEN DES KOORDINATEN-
2930 REM RASTERS AUF PLOTTER PMS150
2940 REM
2950 REM IEC-ADRESSE = 6
2960 REM
3000 OPEN 3,6,0
3010 DIM Q(4)
3020 PRINT#3,"M 1300,1000";CHR$(3);"E 0,1000";CHR$(3)
3025 PRINT#3,"E 2000,0,0,-1000,-2000,0";CHR$(3);"0 0,0";CHR$(3)
3040 Q(1)=1
3050 Q(2)=2
3060 Q(3)=4
3070 Q(4)=8
3080 DEF FNL(X)=B*Q(I)
3090 DEF FNR(X)=INT(2000*LOG(FNL(X))/LOG(F2/F1))+1300
3100 B=.1
3110 B=10*B
3120 FOR I=1 TO 4
3130 IF FNL(X)>=F2/F1 THEN 3170
3140 PRINT#3,"M";STR$(FNR(X));", "; "1000";CHR$(3)
3142 PRINT#3,"E 0,1000";CHR$(3)
3145 PRINT#3,"0 0,0";CHR$(3)
3150 NEXT I
3160 GOTO 3110
3165 REM
3170 DEF FNS(X)=1000+I*100
3180 FOR I=1 TO 9
3190 PRINT#3,"M";STR$(1300);", ";STR$(FNS(X));CHR$(3)
3200 PRINT#3,"E 2000,0";CHR$(3)
3210 NEXT I
3220 PRINT#3,"0 0,0";CHR$(3)
3310 DEF FNX(X)=INT(1300+LOG(H(I)/F1)*2000/LOG(F2/F1))
3320 DEFFNZ(X)=2000-A2*1000/(A2-A1)+20*LOG(E(I)/E(101))*1000/((A2-A1)*LOG(10))
3325 DEF FNY(X)=INT(FNZ(X))
3330 REM
3331 REM *****
3332 REM
3333 REM ZEICHNEN DES AMPLITUDENGANGES
3335 REM
3340 I=0
3350 PRINT#3,"M";STR$(FNX(X));", ";STR$(FNY(X));CHR$(3)
3360 FOR I=1 TO N
3370 PRINT#3,"D";STR$(FNX(X));", ";STR$(FNY(X));CHR$(3)
3371 FOR G=1 TO 5
3372 L=LOG(G+125)
3373 NEXT G
3375 NEXT I
3376 REM BESCHRIFTUNG DER AXSEN UND
3377 REM AUSGABE VON REF.-FREQ. UND
3378 REM REF.-AMPLITUDE
3379 REM
3380 PRINT#3,"0 0,0";CHR$(3)
3390 H(101)=F0
3400 I=101
3410 PRINT#3,"M";STR$(FNX(X));", ";STR$(FNY(X));CHR$(3)
3420 PRINT#3,"N";STR$(5);CHR$(3)
3430 PRINT#3,"M 1120,980";CHR$(3)
3440 PRINT#3,"P";STR$(A1);"DB";CHR$(3)
3450 PRINT#3,"M 1120,1980";CHR$(3)
3460 PRINT#3,"P";STR$(A2);"DB";CHR$(3)
3470 PRINT#3,"M 1250,930";CHR$(3)
3480 PRINT#3,"P";STR$(F1);"KHZ";CHR$(3)
3490 PRINT#3,"M 3250,930";CHR$(3)
3500 PRINT#3,"P";STR$(F2);"KHZ";CHR$(3)
3510 PRINT#3,"M 1300,800";CHR$(3)
3520 PRINT#3,"P REFERENZFREQUENZ=";STR$(F0);"KHZ";CHR$(3)
3530 PRINT#3,"M 1300,700";CHR$(3)
3540 PRINT#3,"P REFERENZAMPLITUDE=";STR$(E(101));"VRMS";CHR$(3)
3541 PRINT#3,"P ENTSPR.";STR$(2.83*E(101));"VP-P";CHR$(3)
3542 PRINT#3,"M 1300,600";CHR$(3)
3544 PRINT#3,"P GENERATORAMPLITUDE=";STR$(A);"VP-P";CHR$(3)
3546 PRINT#3,"P ENTSPR.";STR$(A/2);"VP-P AN 50 OHM";CHR$(3)
3550 PRINT#3,"0 0,0";CHR$(3)
3560 PRINT#3,"H";CHR$(3)
3570 CLOSE 3
3580 END
3590 REM
3600 REM
3610 REM *****

```

APPLICATION EXAMPLES, continued

3.3.4.2 PM 5190 and the PM 4410 instrumentation controller

A basic IEC bus instrumentation set-up can be arranged by plugging the PM 4410 instrumentation controller and the PM 5190 together, and a loud-speaker in addition.

Although this example may not find your professional interest, more dedicated to industrial and sophisticated applications (see the previous chapter), take also this musical example for introducing the IEC bus control of the instrument:

The melody of the german/french folk song "Heia Kathreinerle, schnr mir die Schuh'..." was coded and stored on mini floppy disk, set into the memory of the PM 4410 via its built-in mini floppy disk drive and transmitted to the synthesizer via the IEC bus.

We must appologize to the musicians among ourselves for being unable to introduce the musical design of soft full tones into the program and for the lack of human emphasis and expression of the folk song. But in cooperation with our professional audio systems department it would be a pretty nice task to cope those problems too.

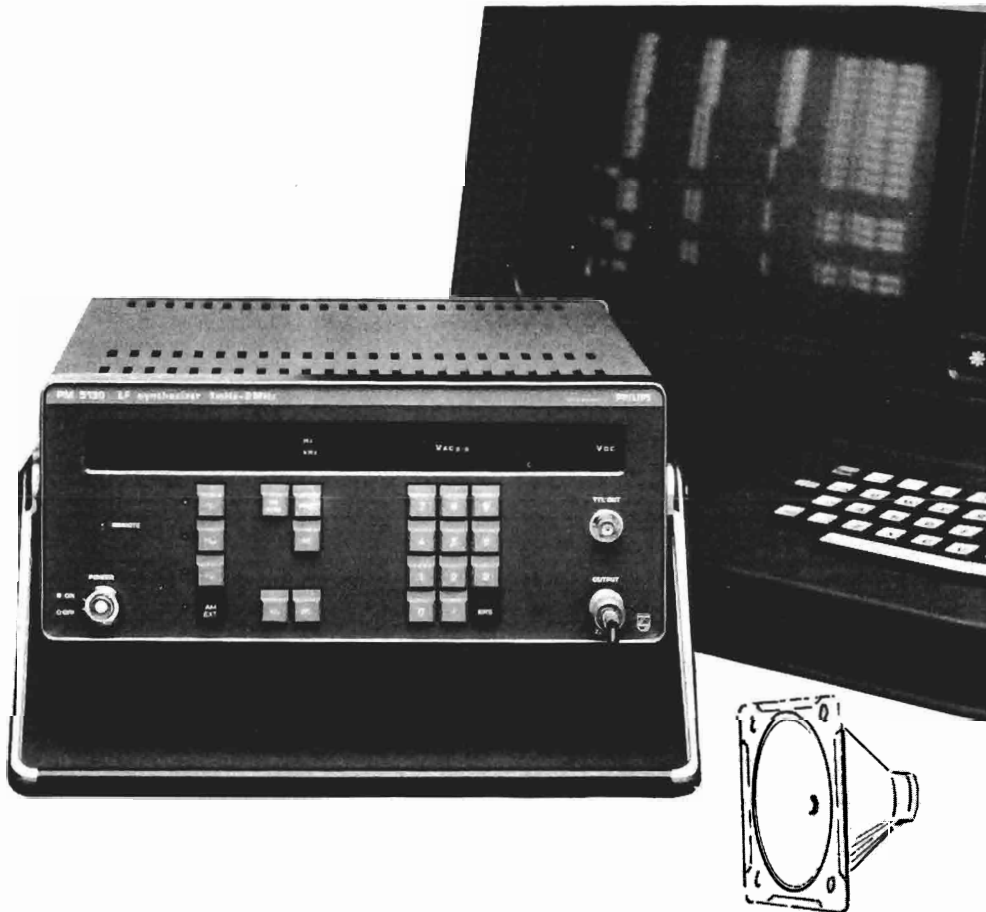


Fig.7 IEC bus instrumentation set-up:
 - PM 4410 instrumentation controller
 - PM 5190 LF synthesizer
 - loud-speaker

Heia, Kathreinele

1. Hei - a, Ka - threi - ne - le,
schrzt dir dein Rk - ke - le,
schnr dir die Schuh,
gnn dir kein Ruh!
Di-del du-del da-del, schrumm schrumm schrumm,
geht schon der Hop-ser um. Hei - a, Ka -
threi - ne - le, frisch im - mer - zu!

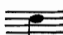
Fig.8 Melody of the folk-song

```

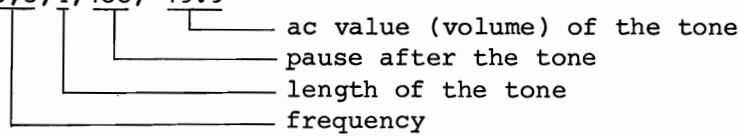
1 PRINT #G:"A.001D00"
2 END
100 INIT
105 LET G=4
106 PRINT #G:"W3A.001D00"
110 DIM F(12,6)
120 LET F0=55
130 FOR I=1 TO 6
140 FOR J=1 TO 12
150 LET C=12*(I-1)+J
160 LET F(J,I)=INT(F0*2**((C+2)/12)*100+.5)/1E5
170 NEXT J
180 NEXT I
210 READ X,Y,Z,Z1,A$
220 IF X=0 THEN 250
225 PRINT #G:"F";F(X,Y+2);"A";A$;"D00"
230 DELAY INT(15/Z+.5)
235 IF Z1=0 THEN 210
236 PRINT #G:"A.001D00"
237 DELAY INT(15/Z1+.5)
240 GOTO 210
250 PRINT #G:"A.001D00"
255 DELAY 5
256 RESTORE
257 GOTO 210
260 DATA 3,3,4,100,"19.9",10,2,4,100,"19.9",10,2,4,100,"19.9",10,2,2.7,10,"19.9"
270 DATA 8,2,8,100,"19.9",7,2,4,100,"19.9",8,2,4,100,"19.9",7,2,4,100,"19.9"
280 DATA 5,2,4,100,"19.9",7,2,2,4,"19.9"
290 DATA 3,3,4,100,"19.9",10,2,4,100,"19.9",10,2,4,100,"19.9",10,2,4,100,"19.9"
300 DATA 8,2,8,100,"19.9",7,2,4,100,"19.9",8,2,4,100,"19.9",7,2,4,100,"19.9"
310 DATA 5,2,4,100,"19.9",3,2,2,4,"19.9"
320 DATA 2,2,8,100,"19.9",2,2,8,100,"19.9",5,2,8,100,"19.9",5,2,8,100,"19.9"
330 DATA 2,2,8,100,"19.9",2,2,8,100,"19.9",3,2,4,100,"19.9",10,2,4,100,"19.9"
340 DATA 10,2,4,100,"19.9",2,2,4,100,"19.9",5,2,4,100,"19.9",2,2,4,100,"19.9"
350 DATA 3,2,4,100,"19.9",10,2,4,100,"19.9",10,2,4,100,"19.9",3,3,4,100,"19.9"
360 DATA 10,2,4,100,"19.9",10,2,4,100,"19.9",10,2,2.7,100,"19.9",8,2,8,100
370 DATA "10.9"
380 DATA 7,2,4,100,"19.9",8,2,4,100,"19.9",7,2,4,100,"19.9",5,2,4,100,"19.9"
390 DATA 3,2,2,100,"19.9"
9999 DATA 0,0,0,0," "
:EOS

```

Fig.9 Programmed melody of the song, PM 4410 input

This programme is converted to IEC bus instructions by the PM 4410. Let us explain some data, the first note of our song e.g. 

260 DATA 3,3,4,100,"19.9"



1. 3,3 frequency of the tone: "d"

The first digit represents the (3rd) tone within one octave of 12 half-tones (X in the program), starting with c.

The frequency increment is $12\sqrt[2]{2}$ which is programmed in the controller.

The second digit represents the octave; 6 octaves are available for the melody range Y:

- 1 - contra-basso, whisky sound
- 2 - basso
- 3 - baritono
- 4 - alto/tenore
- 5 - soprano
- 6 - sopranino

For transposing the melody into different octaves, see line 225:
225...F(X,Y+2)....

Y + 2 means that all notes will sound 2 octaves higher than originally written in the program. So the first tone e.g. will sound in the 3 + 2 = 5th octave.

For the frequency see lines 130 to 150:

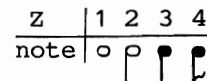
1,1 represents the lowest tone of 55 Hz, see line 120 LET FO=55.

2. Length of the tone, 3rd data, Z

See line 230 DELAY INTEGER (15/Z+.5)

Z = 1 represents 1 full note of 1.5 sec, so

Z = 4: $15/4 \hat{=} 1/4$ note, approx. 0.4 s



The song velocity is two times the coded velocity.

3. Delay after the tone, 4th data, Z1, see line 237

100 represents a pause of 1/100 full note.

4. Ac value (volume of the tone): 19.9 Vac

In the pauses the volume is "A.001" $\hat{=} 1$ mVac.

The dc value is always set to DOO $\hat{=} 0$ mV.

If we look into the future why not take several sets of the described instruments, add multiplex techniques and audio instrumentation in order to have the

"IEC bus symphony number 9 of Ludwig van Beethoven" .

1. ALLGEMEINES

1.1. EINLEITUNG

Der LF Synthesizer PM 5190 ist ein vielseitig anwendbarer, sehr zuverlässiger Signal-Generator. Er erzeugt drei Signalformen, nämlich Sinus, Rechteck und Dreieck im Frequenzbereich von 1 MHz bis 2 MHz. Das Gerät wurde hauptsächlich für professionelle Anwendungen entwickelt, bei denen eine stabile Signalquelle erforderlich ist, für Entwicklungs-Laboratorien und weiterhin für Kalibrier-Zwecke und erweiterte Schulungsaufgaben.

Die Frequenzeinstellungen des Synthesizers sind wegen der quarz-stabilen Erzeugung der Signale äußerst genau. Alle Grundeinstellungen wie die Frequenz, Amplitude, Gleichspannung und Signalform werden bei Handbetrieb mittels der Tastatur eingegeben. Zusätzlich können alle diese Parameter extern über die eingebaute IEC-Bus-Schnittstelle programmiert werden. Sowohl bei Handeinstellung wie externem Betrieb werden diese Parameter an der hellen 7-Segment Leuchtdioden-Anzeige angezeigt, ergänzt durch LED's für die Dimension und Signalform.

Der Mikroprozessor stellt die zentrale Einheit zur Steuerung der anfallenden Daten dar, die er von der Tastatur oder über den IEC Bus empfängt. Nach Überprüfung und Verarbeitung dieser Daten veranlaßt er über Eingangs/Ausgangs-Bausteine die verschiedenen Funktions-Einheiten des Instruments zur Ausführung ihrer Funktionen. Bei nicht zulässigen Eingaben läßt der Mikroprozessor die Anzeige blinken. Zur Änderung oder Korrektur von Eingabedaten steht eine Löschtaste zur Verfügung.

Die interne Technik der Signalerzeugung des Gerätes wird Direkte digitale Synthese genannt: Das Signal wird als Folge binärer Stützstellenwerte in schnellen TTL-Schaltkreisen aufbereitet und in den analogen Bereich umgesetzt. Die Technik ist durch sehr schnelle Reaktionen auf veränderte Frequenzeinstellungen gekennzeichnet.

Die Fernbedienung ist gemäß dem international genormten "Schnittstellen-System für programmierbare Meßgeräte", dem IEC Bus, ausgelegt. So arbeitet der PM 5190 über die eingebaute IEC-Bus-Schnittstelle mit allen IEC-Bus-Geräten, seien sie von PHILIPS oder auch nicht, zusammen.

Dem Ausgangssignal kann eine stetig einstellbare Gleichspannung unterlegt werden. Sie kann auch separat an den Ausgang geführt werden. Der Generator kann extern amplitudenmoduliert werden. Für Anwendungen auf dem TTL-Gebiet steht ein weiterer Signalausgang zur Verfügung.

Alle diese Funktionen sind in einem kompakten transportablen Gehäuse untergebracht. Die übersichtliche Anordnung der Bedienelemente und Anschlüsse und die einfache Eingabe über die Tastatur gewährleisten eine bequeme Handhabung des Gerätes.

1.2. TECHNISCHE DATEN

Allgemeine Hinweise:

Dieses Gerät entspricht den Sicherheitsbestimmungen für elektrische Mess- und Regeleinrichtungen und hat das Werk in sicherheitstechnisch einwandfreiem Zustand verlassen. Um diesen Zustand zu erhalten und einen gefahrlosen Betrieb sicherzustellen, muss der Anwender die Hinweise und Warnvermerke beachten, die in dem vorliegenden Gerätehandbuch enthalten sind.

- Nur Angaben mit Toleranzen oder Grenzwerten können als garantierte Daten angesehen werden. Daten ohne Toleranzen, d.h. ohne Fehlergrenzen, sind informative Daten und werden nicht garantiert.
- Fehlerangaben gelten nach einer Anwärmzeit von 30 Minuten nach dem Einschalten bei konstanter Betriebslage.
- Prozentuale und absolute Fehler sind auf den jeweils angegebenen Referenzwert bezogen.

1.2.1. Frequenz

Nennbereich	1 mHz - 2 MHz
Messbereich	0.001 Hz - 2000 kHz für Sinus und Rechteck 0.001 Hz - <100 kHz für Dreieck
Einstellung	Handeinstellung über Tastatur, Frontplatte; Fernbedienung über IEC-Bus
Auflösung	6 Stellen
Anzeige	6-stellige 7-Segment Leuchtdiodenanzeige 6 Dezimalpunkte 2 LED's für Dimensionszeichen Hz, kHz
Einstellfehlergrenzen	$\pm 1 \times 10^{-6} / K$ bei 23°C
Temperaturkoeffizient	$1 \times 10^{-6} / K$
Alterungsrate	1.5×10^{-6} pro Jahr

1.2.2. Signalformen

Wählbare Signalformen	Sinus, Rechteck oder Dreieck, alle zeitsymmetrisch, alle mit oder ohne Gleichspannungsoffset; Gleichspannung ohne Wechselspannungsanteil
Einstellung	Handeinstellung über Tasten, Frontplatte; Fernbedienung über IEC-Bus Frontplatte
Anzeige	LED's für die gewählte Signalform

Sinus

Klirrfaktor, total	<0.4% für Frequenzen 1 mHz bis 50 kHz <1.5% für Frequenzen 50 kHz bis 2 MHz
Nicht-harmonische Komponenten bei max. Ampl.	<-46 dB
Phasenrauschen	<-50 dB innerhalb von 30 kHz, mittig zur Nutzfrequenz; (Frequenzen 50 kHz)

Rechteck

Anstiegszeit, Abfallzeit	<50 ns
Tastgrad (duty cycle)	50%
- Toleranz	<0.5% (f = 1 kHz)
Dachschräge	<3% (f < 100 kHz)
Überschwingen	<3%

Dreieck

Frequenzbereich	1 mHz - <100 kHz
Linearitätsfehler	<1% für Frequenzen <10 kHz

1.2.3. Modulation

Modulationsart	Amplitudenmodulation, extern
- Anzeige	Leuchtdiode
Träger	
- Signalform	Sinus, Dreieck
- Frequenz	>10 Hz
Modulationsfrequenz	0 - 20 kHz
Modulationskoeffizient	0.1 V pro 10% Modulationsgrad
Modulationsgrad	0 - 90%
Anschluß	BNC-Eingangsbuchse AM EXT, Rückwand
- Eingangsimpedanz	20 kOhm
- max. externe Spannung	±30 V
- Bezugspotential	äußere Kontakte der BNC-Buchse

1.2.4. Signalausgang

Anschluß	BNC-Buchse
Innenwiderstand	50 Ohm \pm 2%
Belastbarkeit	kurzschlußfest
Max. externe Spannung	\pm 15 V
Bezugspotential	äußerer Kontakt der BNC-Buchse
<u>Wechselspannung</u>	
Amplitudenbereich	0 - 19.9 Vac, pp, Leerlauf
Teilbereiche I	.000 - .199 Vac
II	0.00 - 1.99 Vac
III	00.0 - 19.9 Vac
kleinste Schrittweite	1 mV im Teilbereich I 10 mV im Teilbereich II 0.1 V im Teilbereich III
Einstellung	Handeinstellung über Tastenfeld; Fernbedienung über IEC-Bus
Auflösung	2 1/2 Stellen
Anzeige	2 1/2 -stellige 7-Segment Leuchtdioden- anzeige, 3 Dezimalpunkte
Einstellfehlergrenzen	\pm 3% für Einstellungen 02.0 V $<$ ac $<$ 19.9 V für Frequenzen $<$ 100 kHz +3%/-6% für Einstellungen 02.0 V $<$ ac $<$ 19.9V für Frequenzen $>$ 100 kHz
Temperaturkoeffizient	$<$ 0.1%/K
<u>Gleichspannung (Offset)</u>	
Spannungsbereich	0 - 9.9 Vdc, Leerlauf
Teilbereich I	.000 - .099 Vdc
II	0.00 - 0.99 Vdc
III	00.0 - 09.9 Vdc
Wahl des Teilbereiches	bestimmt durch Wahl des Wechselspannungs- bereiches
kleinste Schrittweite	1 mV im Teilbereich I 10 mV im Teilbereich II 0.1 V im Teilbereich III
Polarität	positiv oder negativ
Einstellung	Handeinstellung über Tastatur, Frontplatte; Fernbedienung über IEC-Bus
Auflösung	2 Stellen

Anzeige	Polarität +/-; 2-stellige 7-Segment Leuchtdiodenanzeige; 3 Dezimalpunkte, Position bestimmt durch Einstellung des Wechselspannungsdezimalpunktes
Einstellfehlergrenzen	±4% von 10% bis 100% jedes Teilbereiches
Temperaturkoeffizient	<0,1%/K von 10% bis 100% jedes Teilbereiches
max. einstellbare Spannung	abhängig von der Eingabe der Wechselspannung: dc-Anzeige $\leq 100 - (\text{ac-Anzeige})/2$; Dezimalpunkte unbeachtet

1.2.5. TTL-Ausgang

Anschluß	BNC-Buchse TTL OUT
Tastgrad (duty cycle)	50%
Grenzlast (fan out)	≥ 10 TTL-Eingänge
Pegel	Standard-TTL-Pegel: high > 2,4 V low < 0,8 V
Externe Spannung	nicht gesichert gegen externe Spannung > 5 V

1.2.6. Anzeige bei Verlassen der Bereiche

Anzeige blinkt: bei	- Frequenz-Eingabe > 2000 kHz - Frequenz-Eingabe > 100 kHz für \sim - Frequenzauflösung < 1 mHz
: wenn	- Gleichspannung die max. zuläss. Gleichspannungseinstellung überschreitet

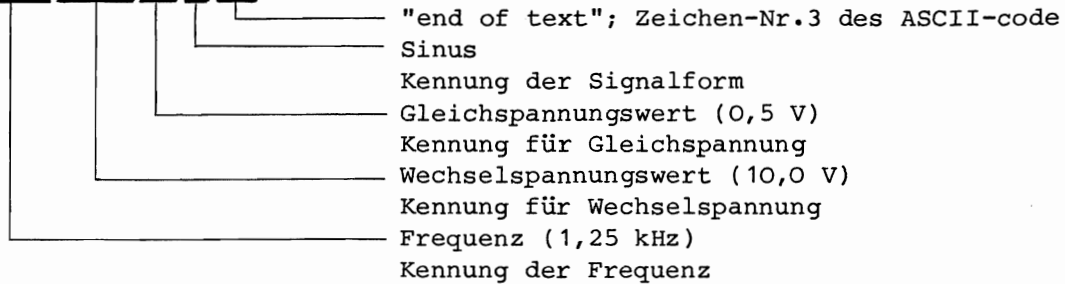
1.2.7. Fernbedienung

Norm	IEC-625: Schnittstellen-System für programmierbare Meßgeräte
Schnittstelle	IEC-Bus-Schnittstelle, eingebaut
- Eingangs/Ausgangssyst.	ziffern-parallel - zeichen-seriell
- Eingangs/Ausgangscode	ISO-7-Bit (ähnlich ASCII)
- Eingangs/Ausgangspegel	L = -0,5 V...+0,8 V H = +2,0 V...+5,5 V
Anzeige der Fernbedienung	LED an der Frontplatte
programmierbare Parameter	- Frequenz - Wechselspannung - Gleichspannung - Signalform
Reaktionszeit	7 ms für Frequenz 6 ms für Wechselspannung 14 ms für Gleichspannung 5 ms für Signalform

Schnittstellenfunktion	- AH1 : vollständige Handshakesenke
	- L2 : nur Hörer
	- RL1 : Umschaltung Fernbedienung/man. Betrieb zurückschalten von Remote nach Manuell nur vom Controller mit GTL (= go to local)

Programmierbeispiel:

F1.25A10.ODO5W1ETX



Anschluß	25-pol. Norm-Steckverbindung, Rückwand
max. externe Spanng.	-0,5 V/+5,5 V
Bezugspotential	Meßerde
Gehäusepotential (Stecker)	verbunden mit Schutzerde

1.2.8. Versorgungsspannung

Nennwerte	110V/128V/220V/238V, durch Lötbrücken wählbar
Nennbetriebsbereich	±10% vom eingestellten Nennwert
Grenzbetriebsbereich	±10% vom eingestellten Nennwert
Frequenznennbereich	50 - 60 Hz
- Toleranz	±5% vom Frequenznennbereich
Leistungsaufnahme	59 VA

1.2.9. Umgebungsbedingungen

Umgebungstemperatur	
- Referenzwert	+23°C ± 1°C
- Nenngebrauchsbereich	+5°C...+40°C
- Grenzbereich für Lagerung u. Transport	-40°C...+70°C
Relative Luftfeuchte	
- Referenzbereich	45%...75%
- Nenngebrauchsbereich	20%...80%
Luftdruck	
- Referenzwert	1013 mbar (≅760 mm Hg)
- Nenngebrauchsbereich	800 mbar...1066 mbar (bis 2200 m Höhe)
Geschwindigkeit der umgebenden Luft	
- Referenzbereich	0 m/s...0,2 m/s
- Nenngebrauchsbereich	0 m/s...0,5 m/s

Funksstörspannung	Störgrad < K
Betriebslage	auf den Füßen stehend (Normallage) oder auf Tragbügel gestellt
Anwärmzeit	30 min

1.2.10. Gehäuse

Schutzart nach DIN 40 050	IP 20
Schutzart nach IEC 348	Klasse I, Schutzleiter
Abmessungen über alles	
- Höhe	140 mm
- Breite	310 mm
- Tiefe	365 mm
Gewicht	ca. 6,1 kg

1.3. ZUBEHÖR

1.3.1. Normalzubehör

Gerätehandbuch
Sicherung 630 mA

1.3.2. Sonderzubehör

PM 9075, Koaxialkabel BNC-BNC
PM 9585, 50 Ohm-Abschluß 1 W
PM 9480, IEC Bus Kabel (Länge 1m)
PM 9481, IEC Bus Kabel (Länge 2m)
PM 9482, IEC Bus Kabel (Länge 4m)
PM 9483, IEC/IEEE Kabel-Adapter (Länge 1m)
Test-PROM
Buch: "digital instrument course, part 4:
IEC-Bus interface"

1.4. FUNKTIONSPRINZIP

Das Blockschaltbild des PM 5190 ist in Bild 30 dargestellt. Im oberen Teil sind die Dateneingabeschaltungen (IEC bus interface, Keyboard) und Anzeigen mit ihren Daten- und Kontrollverbindungen zum steuernden Mikroprozessor und dem zugehörigen Speicher (program memory) dargestellt.

Die eingestellten Parameter werden mit Hilfe der IEC-Bus- oder Keyboard-Interfacebausteine zum Mikroprozessor übermittelt, der dann die erforderlichen Einstellungen der I/O Expander (statische Steuersignale) durchführt.

Im Einzelnen werden folgende Schaltungsbereiche angesteuert:

- Generator (Synthesizer) mit:
(accumulator, complements 1+2, sine/triangle selector, sine-ROM)
- Analogteil mit:
(DAC, low-pass filter, square wave generator, amplitude-modulator, switching array)
- Gleichspannungsunterlegung (dc generator)
- AC Amplitudensteller (amplitude control)
- Endverstärker (output amplifier, attenuator)

Im Generator-Teil wird das Dreieck- und Sinussignal als Binär-Zahlenfolge erzeugt. Die Umsetzung der Binär-Zahlenfolge in gestufte Sinus- oder Dreieckssignale erfolgt im 9 Bit DAC. Der nachfolgende Tiefpass unterdrückt die Aliasfrequenzen, glättet das Signal und erzeugt damit äquidistante Nulldurchgänge beim Sinussignal. Im "square wave generator" wird aus dem Sinussignal durch Nulldurchgangsdetektion ein zeit-symmetrisches Rechtecksignal erzeugt.

Die Amplitudenmodulationsstufe kann in den Sinus-/Dreieckssignalweg eingeschaltet werden.

Damit sind insgesamt 5 Funktionen wählbar: Sinus, Rechteck, Dreieck, AM-Sinus und AM-Dreieck.

Über einen Trennverstärker (buffer 2) gelangt das Signal auf den 8 Bit binär gesteuerten Amplitudensteller (amplitude control) und weiter zum Endverstärker. Dessen Eingang ist ein virtueller Nullpunkt auf Nullpotential. In diesen virtuellen Nullpunkt fließen der Signalstrom und der mit 8 Bit gesteuerte Strom des "dc generator". Es sind damit 3 Betriebszustände möglich: ac-mode, ac + dc mode und dc-mode.

Über den 0/20/40 dB-Abschwächer ("attenuator") gelangt das Signal an die Ausgangsbuchse.

Alle benötigten Taktfrequenzen werden im "clock pulse generator" von einer quarzstabilen Mutterfrequenz abgeleitet.

Das Netzteil liefert +20 V und -20 V sowie zwei getrennte +5 V Spannungen. Die damit mögliche Abtrennung der digitalen Versorgung vermindert eine Einkopplung des digitalen Störnebels in den analogen Schaltungsbereich.

2. V O R B E R E I T U N G S A N W E I S U N G E N

2.1. SICHERHEITSTECHNISCHE HINWEISE

Dieses Gerät hat das Werk in sicherheitstechnisch einwandfreiem Zustand verlassen. Zur Erhaltung dieses Zustands und seines gefahrlosen Betriebs empfehlen wir, die nachfolgenden Hinweise sorgfältig zu beachten.

2.1.1. Vor dem Anschließen

Netzspannung

Es ist sicherzustellen, daß die eingestellte Betriebsspannung des Geräts und die Nenn-Netzspannung übereinstimmen.

Schutzklasse

Dieses Gerät ist ein Gerät der Schutzklasse I (Schutzleiteranschluß) gemäß IEC 348 oder VDE 0411. Die mitgelieferte Netzzuleitung enthält einen Schutzleiter. Außer in besonders zugelassenen Räumen darf der Netzstecker nur in Schutzkontaktsteckdosen eingeführt werden.

Jede Unterbrechung des Schutzleiters, innerhalb oder außerhalb des Geräts, ist unzulässig.

2.1.2. Reparatur und Wartung

Fehler und außergewöhnliche Beanspruchungen

Wenn anzunehmen ist, daß ein gefahrloser Betrieb nicht mehr möglich ist, so ist das Gerät außer Betrieb zu setzen und gegen unabsichtlichen Betrieb zu sichern. Dieser Fall tritt ein,

- wenn das Gerät sichtbare Beschädigungen aufweist,
- wenn das Gerät nicht mehr arbeitet,
- nach Überbeanspruchungen jeglicher Art (z.B. Lagerung, Transport), die die zulässigen Grenzen überschreiten.

Öffnen des Geräts

Beim Öffnen von Abdeckungen oder Entfernen von Teilen mit Werkzeug können spannungsführende Teile freigelegt werden. Auch können Anschlußstellen spannungsführend sein.

Vor dem Öffnen des Geräts muß das Gerät von allen Spannungsquellen getrennt sein.

Wenn danach eine Kalibrierung, Wartung oder Reparatur am geöffneten Gerät unter Spannung unvermeidlich ist, so darf das nur durch eine Fachkraft geschehen, welche die damit verbundenen Gefahren kennt.

Kondensatoren im Gerät können noch geladen sein, selbst wenn das Gerät von allen Spannungsquellen getrennt wurde.

Sicherungen

Es dürfen nur die vorgeschriebenen Sicherungen verwendet werden.

Reparatur, Ersatz von Teilen

Reparaturen sind fachgerecht durchzuführen. Dabei ist besonders darauf zu achten, daß die konstruktiven Merkmale des Geräts nicht sicherheitsmindernd verändert werden. Insbesondere dürfen die Kriech- und Luftstrecken und die Abstände durch die Isolierung hindurch nicht verkleinert werden.

Zum Ersatz nur Originalteile verwenden. Andere Ersatzteile sind nur zulässig, wenn dadurch die sicherheitstechnischen Eigenschaften des Geräts nicht verschlechtert werden.

2.2. AUFSTELLEN

Das Gerät darf in beliebiger Lage aufgestellt und betrieben werden. Bei heruntergeklapptem Tragbügel kann das Gerät in schräger Lage aufgestellt werden; hierzu sind die beiden Verriegelungsknöpfe des Tragbügels zu drücken. Es ist darauf zu achten, daß das Gerät nicht auf andere Wärmequellen gestellt oder übermäßiger Wärmeeinstrahlung ausgesetzt wird.

2.3. ERDEN

Das Gerät muß den örtlichen Vorschriften entsprechend geerdet werden. Die Netzzuleitung enthält einen Schutzleiter und ist mit einem Schutzkontaktstecker versehen. Hierdurch wird beim Anschluß an eine Schutzkontaktsteckdose das Gehäuse des Geräts zwangsläufig mit Schutz Erde verbunden.

Achtung! Der Netzanschlußstecker darf nur in eine Schutzkontaktsteckdose eingeführt werden. Diese Schutzmaßnahme darf nicht unwirksam gemacht werden, z.B. durch eine unvollkommene Verlängerungsleitung!

Die Außenkontakte der BNC-Buchsen führen das Schaltungsnullpunkt-Potential und sind mit dem Gehäuse über die Parallelschaltung eines Kondensators und eines Widerstandes verbunden. Dadurch wird eine eindeutige HF-Erdung der Schaltung bewirkt.

Eine Schutz Erdung über Außenkontakte der BNC-Buchsen ist unzulässig!

2.4. ÖFFNEN DES GEHÄUSES

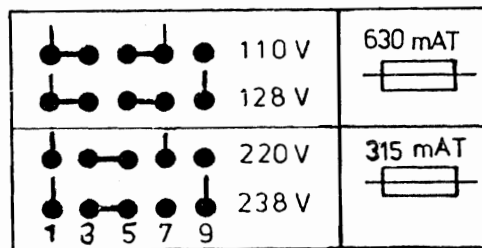
- Netzstecker herausziehen
- Handgriff von der Frontseite wegschwenken; dazu sind die beiden Verriegelungsknöpfe zu drücken
- Zentralbefestigung an der Rückseite lösen
- Netzkabeldurchführung aus dem Durchbruch des Mantels ziehen
- Mantel abziehen

2.5. NETZANSCHLUSS

Dieses Gerät darf nur an Wechselspannung betrieben werden. Es ist bei Auslieferung auf einen Netzspannungsbereich von 220 V eingestellt. Vor dem Anschließen an das Netz ist zu prüfen, ob der eingestellte Netzspannungsbereich die örtliche Netzspannung umfaßt. Die eingestellte Spannung kann auf dem Netzspannungsschild an der Gehäuserückwand abgelesen werden.

Soll das Gerät auf einen anderen Netzspannungsbereich umgestellt werden, ist wie folgt zu verfahren:

- Netzstecker herausziehen
- Gehäuse öffnen gemäß 2.4.
- Anschlüsse des Netztransformators gemäß Klebeschild umlöten, siehe auch folgende Skizze.


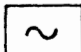

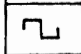

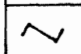

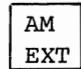
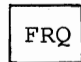
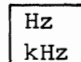
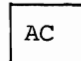
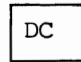
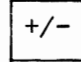
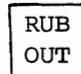


- Mitgelieferte Sicherung 630 mA in den Sicherungshalter anstelle der eingebauten einsetzen
- Netzspannungsklebeschild entsprechend der eingestellten Netzspannung auf die Geräterückwand kleben. Bei Auslieferung des Geräts befinden sich diese Klebeschilder in einem Plastikbeutel, wie auch die eben genannte Sicherung.
- Gerät schließen

Das Gerät ist den örtlichen Sicherheitsvorschriften entsprechend an das Netz anzuschließen. Dazu ist das Gerät über die Netzzuleitung mit einer Schutzkontaktsteckdose zu verbinden (siehe auch 2.3.).

3. B E T R I E B S A N L E I T U N G

3.1. BEDIENELEMENTE UND ANSCHLÜSSE (Abb.31, 32)

Beschriftung	Funktion												
POWER ○ ON ● OFF	Netzschalter; weißes Feld für Einschaltzustand												
	Drucktasten zur Wahl der Signalform; LED-Anzeige für die gewählte Signalform:												
 	Sinus												
 	Rechteck												
 	Dreieck												
 	Drucktaster und LED-Anzeige zur Wahl der Amplitudenmodulation												
	Drucktaster zur Vorbereitung der Frequenzeingabe												
	Drucktaster zur Wahl des Frequenzbereiches .001 Hz - 999999 Hz .000001 kHz - 2000 kHz												
	Drucktaster zur Vorbereitung der Signal-Amplitudeneingabe												
	Drucktaster zur Vorbereitung der Gleichspannungs-(Offset-) Eingabe												
	Drucktaster für positive oder negative Gleichspannung												
<table border="1" data-bbox="296 1476 528 1730"> <tr><td>7</td><td>8</td><td>9</td></tr> <tr><td>4</td><td>5</td><td>6</td></tr> <tr><td>1</td><td>2</td><td>3</td></tr> <tr><td>0</td><td>.</td><td></td></tr> </table>	7	8	9	4	5	6	1	2	3	0	.		Tastatur (Drucktaster) zur Eingabe der - Frequenz - AC-Ausgangsspannung - DC-(Offset-) Spannung
7	8	9											
4	5	6											
1	2	3											
0	.												
	Drucktaster zur Änderung oder Korrektur von Eingabedaten												

3.2. BEDIENUNG

3.2.1. Einschalten

Nachdem das Gerät gemäß 2.3. und 2.4. angeschlossen ist, kann es durch Drücken der Netzschaltertaste POWER eingeschaltet werden. Das weiße Feld im Knopf der Netzschaltertaste zeigt den eingeschalteten Zustand mechanisch an.

Beim Einschalten wird das Gerät in den Grundzustand gesetzt, was folgendes bedeutet:

- die Ausgangsfrequenz ist 0
- die Ausgangsspannung ist 0
- die Anzeige zeigt 000000 Hz .000 V ACpp +.000 V DC,
wobei Sinus angezeigt wird: $\otimes \sim$

EINGABE ÜBER TASTATUR

3.2.2. Einstellung der gewünschten Signalform

Folgende Signalformen können mit zugeordneten Tasten gewählt werden:

- Sinus
 - Rechteck
 - Dreieck
- und in Kombination mit der externen Amplitudenmodulation
- Sinus/AM EXT
 - Dreieck/AM EXT

Die jeweils eingestellte Signalform wird durch die neben den Signalform-Tasten angeordneten LED's angezeigt.

Wenn Rechtecksignal gewählt wurde, ist die Funktion AM EXT gesperrt. Andererseits führt die Betätigung der Rechteck-Taste, wenn vorher gleichzeitig Sinus und AM EXT oder Dreieck und AM EXT gesetzt sind, zur Abschaltung der AM EXT-Funktion.

Die Modulationsspannung muß dem Generator über eine Eingangsbuchse auf der Rückwand des Gerätes zugeführt werden.

3.2.3. Frequenzeingabe

Die Wahl des Frequenzbereiches erfolgt durch Betätigung der Taste Hz/kHz. Die Taste hat alternierenden Effekt. Die Dimension springt jeweils auf den anderen Wert um. Der Bereich wird durch LED's angezeigt:

Hz für den Bereich .001 Hz - 999999 Hz
kHz für den Bereich .000001 kHz - 2000 kHz

Für das Dreiecksignal ist die obere Frequenzgrenze 99.9999 kHz.

Taste FRQ drücken

Der Signalgenerator wird in seinen Grundzustand gesetzt, was folgendes bedeutet:

- das Anzeigefeld wird gelöscht
- die Ausgangsfrequenz ist 0
- die Ausgangssignalspannung wird auf dem Wert des Nulldurchganges festgehalten
- die Anzeige ist aufnahmebereit für nachfolgendes Eintasten von Frequenzwerten mit den Ziffertasten und der Dezimalpunktaste

Beim Eintasten des Zahlenwertes werden die Ziffern von links nach rechts (left entry) in das Anzeigefeld eingetragen.

Die Ausgangsfrequenz des Generators folgt dabei sofort dem jeweiligen Status der Anzeige.

Der Dezimalpunkt (DP) kann an beliebiger Stelle gesetzt werden.

Lediglich hinter der letzten (6.) Ziffer erfolgt keine Reaktion.

Ist bereits ein DP gesetzt und wird an einer anderen Position der Anzeige die DP-Taste nochmals betätigt, so wird der DP entsprechend neu gesetzt; die alte Position wird gelöscht.

Nullen hinter dem DP können ausgelassen werden, da sie keinen Einfluß auf die erzeugte Frequenz haben.

Es ist Ihnen überlassen, die Anzeige der Frequenz in die verschiedenen Positionen des Anzeigefeldes zu setzen, abhängig von bequemer Dateneingabe. 1 Hz z.B. kann wie folgt gesetzt werden:

1	Hz
01	Hz
.	
.	
000001	Hz
1.	Hz
.	
.	
00001.	Hz
.001	kHz
.	
.	
000.001	kHz
usw.	

Alle Eingaben ergeben die gleiche Frequenzgenauigkeit.

Bereichsüberschreitung

Bei Eingaben, die Bereiche oder Auflösung über- bzw. unterschreiten, beginnt das Anzeigefeld zu blinken.

Beispiel:	.0001	Hz	~ ~ ~
	2001	kHz	~ ~ ~
	100	kHz	~
	1.0001	Hz	

Löschtaste RUB OUT

Wenn eine falsche Ziffer eingegeben oder ein Dezimalpunkt falsch gesetzt wurde, gibt es zwei Möglichkeiten zur Korrektur:

1. Taste FRQ drücken und Eingabe wiederholen
2. Taste RUB OUT drücken. Damit wird die zuletzt eingetragene Ziffer im Anzeigefeld und der evtl. dahinter gesetzte DP gelöscht. Bei mehrfacher Betätigung wird die Anzeige entsprechend stellenweise von rechts nach links gelöscht.

Bemerkung: Veränderung der Dimension Hz/kHz der Frequenzanzeige durch die Taste ist ohne RUB OUT wirksam; auch braucht das Frequenzfeld vorher nicht durch FRQ geöffnet zu werden.

3.2.4. Setzen der Signalausgangsspannung; Setzen der Gleichspannung (Offset)

Taste AC drücken

Der analoge Ausgangsschaltkreis des Generators wird in den Grundzustand gesetzt, was folgendes bedeutet:

- Die Ausgangsspannung ist Null
- Das AC-Feld wird gelöscht
- Das DC-Feld wird auf 000 gesetzt
- Der DP befindet sich vor der 1. Ziffernstelle; dies gilt für das AC- und das DC-Feld
- Der Amplitudensteller und der Abschwächer sowie deren Anzeigefelder sind für das Eintasten von Ziffern und Dezimalpunkt vorbereitet.

Die maximale Wechselspannung beträgt 19,9 Vpp; 2 1/2 Ziffern können gesetzt werden. Daher muß die erste Ziffer 0 oder 1 sein.

- Wird als 1. Ziffer eine Ziffer >1 eingetastet,
- erscheint diese automatisch an der 2. Stelle,
 - die erste Stelle wird dabei auf 0 gesetzt.
 - Der Dezimalpunkt wird verschoben: 0.X

Wie bei der Frequenz folgt das Ausgangssignal unmittelbar dem jeweiligen Status der AC-Anzeige, d.h. den einzelnen Tasteneingaben.

Verschieben des Dezimalpunktes

Eine Verschiebung des DP nach rechts im AC-Feld ist wie im DC-Feld in der Weise möglich, daß die DP-Taste hinter der gewünschten Stelle betätigt wird: Der DP in der vorhergehenden Position wird gelöscht.

Ein DP hinter der 3. Stelle wird nicht akzeptiert.

Änderung der Wechselspannungseingabe kann durch Drücken der AC-Taste mit erneuter Eingabe erfolgen oder durch RUB OUT.

Die Funktion der RUB OUT-Taste ist entsprechend der beschriebenen Wirkung im Frequenzfeld; lediglich der Effekt auf den DP ist anders: Befindet sich hinter der letzten zu löschenden Stelle ein DP, so springt dieser bei Betätigung der RUB OUT-Taste um eine Stelle nach links. Dies hat u.a. die gewünschte Wirkung, daß ein DP im AC-Feld (und DC-Feld) stets gesetzt bleibt.

Eingabe der Gleichspannung

Die Ausgangsgleichspannung kann separat gewählt werden oder, wenn gewünscht, als Offset dem Wechselspannungssignal hinzugefügt werden.

Bemerkung: Eine Gleichspannung kann nicht eingegeben werden, ohne daß vorher die Wechselspannung gesetzt wurde.

Taste DC drücken

Der Gleichspannungsgenerator wird in den Grundzustand gesetzt, was folgendes bedeutet:

- Die Ausgangsgleichspannung ist Null
- Die erste Stelle der Anzeige bleibt auf 0; die beiden anderen Stellen werden gelöscht
- Der DP befindet sich generell an der gleichen Stelle wie im AC-Feld; also kein direkter Zugriff zur Position des DP im DC-Feld
- Der interne Gleichspannungsgenerator und das zugehörige Anzeigefeld ist für das nachfolgende Eintasten von Ziffern aufnahmebereit.

2 Ziffern können gesetzt werden. Die maximale Gleichspannung ist 9.9 V; aber sie ist durch die Eingabe der Wechselspannung eingeschränkt, siehe das folgende Kapitel über die Bereichsüberschreitung.

Wie bei der Frequenz und der Wechselspannung folgt das Ausgangssignal unmittelbar dem jeweiligen Status der DC-Anzeige, d.h. den einzelnen Tasteneingaben.

Positive und negative Gleichspannung kann durch die Taste +/- schnell geändert werden. Diese Taste hat alternierenden Effekt wie die Hz/kHz-Taste und ist zu jedem Zeitpunkt wirksam; das DC-Feld braucht also nicht geöffnet zu sein.

Änderungen der Gleichspannungseingabe kann mit Hilfe der Taste DC oder RUB OUT erfolgen, ähnlich wie bei der Wechselspannungs- oder Frequenzeingabe.

Aber Achtung: Nach Beendigung der AC- und DC-Eingabe kann eine Änderung des AC-Wertes nur mittels der Taste AC erfolgen, die neben der AC-Anzeige auch die DC-Anzeige löscht!

Bereichsüberschreitung

Die maximale DC-Offset-Spannung ist von dem AC-Wert abhängig, um eine Übersteuerung des Ausgangsverstärkers zu vermeiden:

DC-Anzeige $\leq 100 - (\text{AC-Anzeige})/2$;
Dezimalpunkte unbeachtet.

Beispiele:

Vac	Vdc	
	erlaubt	nicht erlaubt
10.0	05.0	05.1
19.9	00.0	00.1
19.8	00.1	00.2
00.3	09.8	09.9
1.19	0.04	0.05

3.2.5. Amplitudenmodulation

2 Trägersignale können gewählt werden:

- Sinus
- Dreieck

Der jeweils eingestellte Träger wird durch die neben den Signalform-Tasten angeordneten LED's angezeigt.

Wenn Rechtecksignal gewählt wurde, ist die Funktion AM EXT gesperrt. Andererseits führt die Betätigung der Rechteck-Taste, wenn vorher gleichzeitig Sinus und AM EXT oder Dreieck und AM EXT gesetzt sind, zur Abschaltung der AM EXT-Funktion.

Die Modulationsspannung muß dem Generator über eine Eingangsbuchse auf der Rückwand des Gerätes zugeführt werden.



Die Trägeramplitude ist halb so groß wie der angezeigte Wert. Wenn daher die Trägeramplitude eingestellt wird, muß die Anzeige auf den doppelten Wert der tatsächlichen Amplitude gestellt werden.

3.3. IEC-BUS

3.3.1. Einleitung zum IEC-Interface-Bus

Die Entwicklung preisgünstiger Tischrechner, sowie "intelligenter" Meßgeräte brachte auf der Steuer- und Meßseite die Voraussetzungen für eine breite Einführung der automatischen Meßtechnik. Sie bleibt nicht mehr - wie früher aus Kostengründen - auf wenige Großanwender beschränkt, sondern ist nunmehr attraktiv für alle Meßgeräteanwender in Entwicklung, Fertigung und Qualitätskontrolle.

Den Schlüssel für die Ausschöpfung sämtlicher Möglichkeiten dieser neuen intelligenten Gerätetechnik liefert der IEC-Bus.

Was ist der IEC-Bus?

Der IEC-Bus ist eine weltweit einheitlich genormte Datenschnittstelle für Meßsysteme, die es ermöglicht, beliebige Meßgeräte, auch unterschiedlicher Hersteller, mit frei wählbaren Computern zu kombinieren, ohne daß ein gerätespezifisches Interface oder spezielle Datenkoppler erforderlich sind. Die Steuergeräte senden über den IEC-Bus Steuerbefehle an die Meßgeräte und fragen über den Bus Meßwerte von den Meßgeräten ab. Der IEC-Bus ist sozusagen eine Fernschreibleitung zwischen den einzelnen Geräten eines Meßsystems, über die Daten in beliebiger Richtung übertragen werden können.

Der IEC-Bus ist so einfach konzipiert, daß das Zusammenschalten der Geräte keinerlei Fachkenntnisse erfordert. Der Aufbau eines Systems beschränkt sich auf das Verbinden der IEC-Bus-Stecker der einzelnen Geräte; alle anderen Funktionen - wie beispielsweise die Kontrolle der meist unterschiedlichen Datenübertragungsgeschwindigkeiten der verschiedenen Geräte - laufen automatisch ab. Für die vom IEC-Bus übertragenen Zeichen verwendet man den ASCII Code, der üblicherweise auch dem Datenverkehr zwischen Rechnern und Peripheriegeräten dient und direkt les- und schreibbare Zeichen darstellt.

Zum Steuern von IEC-Bus-Geräten eignen sich vor allem Tischrechner mit ihrem günstigen Preis/Leistungs-Verhältnis. Deren Intelligenz genügt in der Regel allen üblichen Meßanforderungen. Besonders vorteilhaft sind Tischrechner mit Standardprogrammiersprachen, da dann der Wechsel eines Rechners unproblematisch bleibt. Auch die Geschwindigkeit von Tischrechnern reicht für Meßsysteme der Analogtechnik im allgemeinen aus. Bei höheren Forderungen an die Schnelligkeit empfiehlt sich der Einsatz von Minicomputern, die von verschiedenen Herstellern mit IEC-Bus-Anschlüssen angeboten werden.

Mit Hilfe der IEC-Bus-Technik entstehen Meßautomaten, die sich durch ungewöhnlich niedrige Preise, hohe Flexibilität und geringe räumliche Abmessungen auszeichnen.

Wie funktioniert der IEC-Bus?

Der IEC-Bus besteht aus drei Teilen: den Datenleitungen, den Steuerleitungen, die den zeitlichen Ablauf kontrollieren und den Steuerleitungen, die für die Systemfunktion erforderlich sind.

Die eigentliche Datenübertragung erfolgt über acht Datenleitungen DIO (data input/output), die alle Informationen, Daten und auch Adressen übertragen.

Der Datenbus ist bidirektional aufgebaut: Die Daten können in beiden Richtungen fließen.

Zum Codieren der Zeichen wird, wie schon erwähnt, der ASCII-Code verwendet, dessen Zeichen 7 oder 8 bit enthalten, so daß jeweils ein komplettes Zeichen pro Takt über den Datenbus übertragen wird. Zur Kennzeichnung, ob Geräteadressen oder Daten übertragen werden, dient die Steuerleitung ATN (attention).

Die weiteren Steuerleitungen zur Systemkontrolle sind: IFC (interface clear) zum Rücksetzen des Systems auf einen definierten Anfangszustand, SRQ (service request) und EOI (end or identify) für Interrupt-Steuerungen, bei denen das Gerät selbständig den Steuerrechner darauf aufmerksam machen kann, daß es ein Meßergebnis abliefern möchte, sowie REN (remote enable) zur Steuerung der Meßgeräte auf Programmierbetrieb. Der zeitliche Ablauf der Datenübertragung wird über die Leitungen DAV (data valid), NDAC (not data accepted) und NRFD (not ready for data) gesteuert, und zwar nach dem sogenannten Handshake-Verfahren, das heißt, daß grundsätzlich auf das jeweils langsamste Gerät gewartet wird. Dieses Verfahren ist zwar nicht zeitoptimal, es wird aber erreicht, daß sich der Anwender nicht um den zeitlichen Ablauf der Datenübertragung kümmern muß. Jede beliebige Kombination von IEC-Bus-Geräten kann zusammengeschaltet werden und steuert sich automatisch in der Geschwindigkeit des Datenflusses. Die minimale Datenflußrate liegt im allgemeinen sehr hoch, so daß diese normalerweise keine spürbare Verzögerung bei der Programmiergeschwindigkeit bedeutet. Da außerdem in der analogen Meßtechnik meist nicht unbeträchtliche Einschwingzeiten der Meßgeräte abzuwarten sind, kann man davon ausgehen, daß auch bei Tischrechnersteuerung die physikalisch maximal mögliche Meßgeschwindigkeit nicht nennenswert herabgesetzt wird.

Der IEC-Bus ist also ein steuernder und kontrollierender Datenbus, der ein einfaches Zusammenschalten von Meßgeräten und Rechnern ermöglicht.

3.3.2. Externe Steuerung des PM 5190 (Remote Betrieb)

Der LF Synthesizer PM 5190 ist mit einem IEC-Interface ausgestattet, das es ermöglicht, Steuerparameter von extern über den IEC-Bus einzusteuern. Geräte, die mit einem solchen IEC-Interface ausgestattet sind, können sehr einfach und problemlos zu einem kompletten Meßsystem zusammengestellt werden, ungeachtet der Herstellerfirma und ungeachtet von Interfaceproblemen.

3.3.2.1 Interface-Funktionen

Jedes programmierbare Meßgerät mit IEC-Interface hat neben den ganz speziellen Gerätefunktionen auch noch ganz bestimmte genau festgelegte Interface-Funktionen. Das IEC-Interface des PM 5190 enthält die folgenden Funktionen:

- AH1: Acceptor Handshake Interface Funktion

Diese Funktion ermöglicht dem Gerät den einwandfreien Empfang externer Steuerbefehle vom IEC Bus.

- L2: Listener Interface Funktion

Diese Funktion ermöglicht es dem PM 5190, als Listener (Zuhörer) in einem IEC-Bus zu fungieren. Dadurch ist es nur möglich, Daten vom IEC-Bus zu empfangen, nicht jedoch Daten zu senden.

- RL1: Remote/Local (extern/manuell, no local lock out)

Keine Blockierung des Handbetriebs nach Steuerung über IEC-Bus. Diese Interface-Funktion gibt dem Gerät die Möglichkeit zwischen zwei Möglichkeiten der Dateneinnahme zu wählen: vom Tastenfeld im manuellen Betrieb und dem IEC-Bus in der Betriebsart 'Remote control'. Keine Blockierung des Handbetriebs nach Steuerung über IEC-Bus bedeutet, daß das Gerät, nachdem es einmal über den IEC-Bus adressiert wurde, mit dem Befehl GTL (= go to local; ASCII Zeichen = 01) auf Dateneinnahme vom Tastenfeld zurückschaltet.

3.3.2.2 Adressieren des Gerätes

Zur Koordination der verschiedenen Geräte in einem BUS-System ist es erforderlich, jedem Gerät eine Adresse zuzuordnen. Wenn der Controller eine Adresse auf den Bus gibt, vergleicht jedes Gerät die gesendete Adresse mit der eigenen, am Gerät eingestellten, und gibt bei Übereinstimmung eine Rückmeldung an den Controller.

Auf dem IEC-Bus werden für die Übermittlung der Adressen sowie der Daten die gleichen 8 Datenleitungen benutzt (DIO1 - DIO8). Zur Unterscheidung, ob die Information auf diesen Leitungen Daten oder Adressen sind, ist die Leitung ATN (= attention) low für Adressen und high für Daten.

Der IEC-Bus Ein-/Ausgabe Code entspricht dem ISO 7 Bit Code, der identisch ist mit dem ASCII-Code mit Ausnahme des Bits 8, das im ASCII-Code der Übermittlung des Parity Bits dient.

Die Adressierung von IEC-Bus Geräten geschieht dann in der Weise, daß mit Hilfe eines Controllers ein bestimmtes Bitmuster zusammen mit ATN als Adresse gesendet wird. Bit 1 - 5 dieser Adresse sind am Gerät einstellbar, das dezimale Äquivalent dieses binären Wertes ist in der Tabelle Fig. 2 als Device-Adresse zu finden. Ist nun zum Beispiel am Gerät die Adresse '4' eingestellt (=00100 binär), dann kann das Gerät durch Senden dieser Device-Adresse von einem Controller angesprochen werden. Controller, bei denen das ASCII-Zeichen der Listener Adresse definiert werden muß, können mit dem ASCII-Zeichen 'g' das PM 5190 als Listener adressieren.

Nicht erlaubt ist die Device-Adresse 31 (= ASCII '?'); dies ist das 'unlisten'- Kommando, mit dem nach erfolgtem Datentransfer das Gerät deadressiert wird.

Bei Auslieferung ist die Geräteadresse des PM 5190, wie oben gezeigt, auf 4 eingestellt: (die Schalter sind auf 00100 gestellt). Diese Adresse kann vom Anwender sehr leicht geändert werden, da die Schalter von der Unterseite des Gerätes durch die Lüftungsschlitze hindurch zugänglich sind. Die genaue Anordnung der Schalter zeigt das Bild unten.

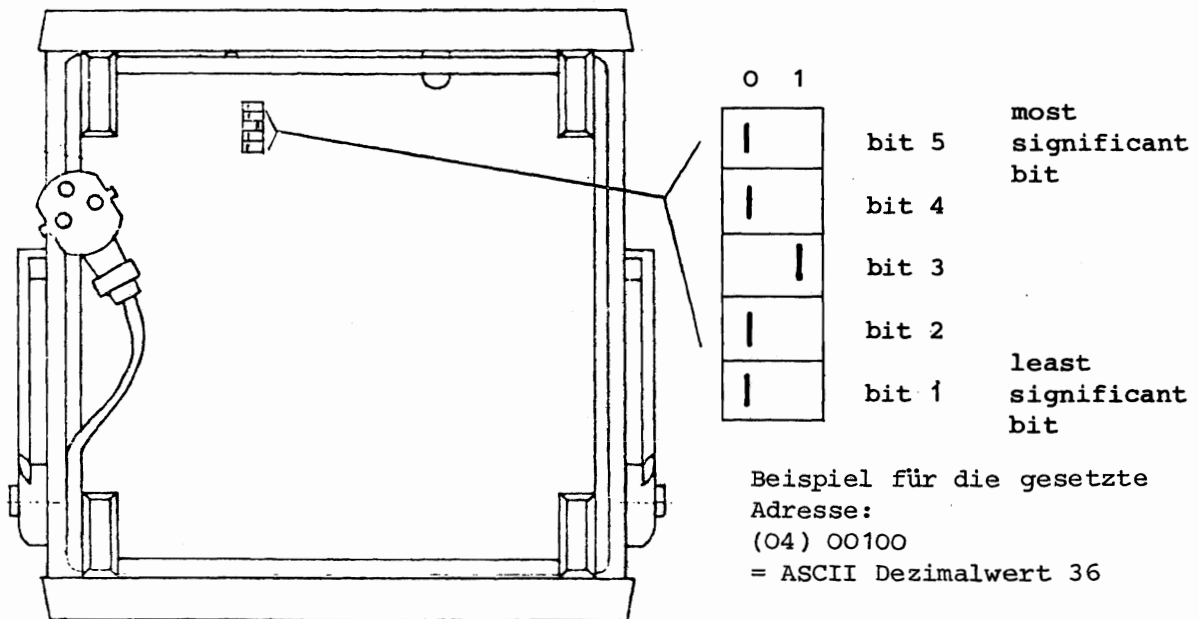


Fig.1 Einstellen der Geräteadresse

Wenn die Adresse, die vom Controller auf den Bus gegeben wird, identisch mit der am Gerät eingestellten ist, reagiert das Gerät und schaltet die Eingabe von Tastatur auf IEC-Bus um. Diese Umschaltung des Parameter- Eingabe-Kanals schaltet ebenfalls die REMOTE-Anzeige, die sich auf der linken Seite der Frontplatte befindet. Das Tastenfeld des PM 5190 ist dann für jede Tasteneingabe gesperrt und nimmt Parameter nur über den IEC-Bus ein. Die Zurückschaltung zur Tasteneingabe erfolgt, nachdem vom Controller das Kommando GTL = go to local gesendet wurde (= ASCII 01).

Fig.2 Tabelle ISO 7-Bit Code

LISTENER ADDRESSES								TALKER ADDRESSES								DEVICE ADDRESSES					
ASCII CHAR	DECIMAL VALUE	DIO BUS							ASCII CHAR	DECIMAL VALUE	DIO BUS										
		8	7	6	5	4	3	2			1	8	7	6	5		4	3	2	1	
SP	32	0	0	1	0	0	0	0	0	Ⓒ	64	0	1	0	0	0	0	0	0	0	0
!	33	0	0	1	0	0	0	0	0	1	A	65	0	1	0	0	0	0	0	0	1
"	34	0	0	1	0	0	0	0	1	0	B	66	0	1	0	0	0	0	0	1	0
#	35	0	0	1	0	0	0	0	1	1	C	67	0	1	0	0	0	0	0	1	1
\$	36	0	0	1	0	0	0	1	0	0	D	68	0	1	0	0	0	0	1	0	0
%	37	0	0	1	0	0	0	1	0	1	E	69	0	1	0	0	0	0	1	0	1
&	38	0	0	1	0	0	0	1	1	0	F	70	0	1	0	0	0	0	1	1	0
'	39	0	0	1	0	0	0	1	1	1	G	71	0	1	0	0	0	0	1	1	1
(40	0	0	1	0	1	0	0	0	0	H	72	0	1	0	0	0	1	0	0	0
)	41	0	0	1	0	1	0	0	0	1	I	73	0	1	0	0	0	1	0	0	1
*	42	0	0	1	0	1	0	1	0	0	J	74	0	1	0	0	0	1	0	1	0
+	43	0	0	1	0	1	0	1	0	1	K	75	0	1	0	0	0	1	0	1	1
,	44	0	0	1	0	1	1	0	0	0	L	76	0	1	0	0	0	1	1	0	0
-	45	0	0	1	0	1	1	0	0	1	M	77	0	1	0	0	0	1	1	0	1
.	46	0	0	1	0	1	1	1	0	0	N	78	0	1	0	0	0	1	1	1	0
/	47	0	0	1	0	1	1	1	1	1	O	79	0	1	0	0	0	1	1	1	1
0	48	0	0	1	1	0	0	0	0	0	P	80	0	1	0	1	0	0	0	0	0
1	49	0	0	1	1	0	0	0	0	1	Q	81	0	1	0	1	0	0	0	0	1
2	50	0	0	1	1	0	0	0	1	0	R	82	0	1	0	1	0	0	0	1	0
3	51	0	0	1	1	0	0	0	1	1	S	83	0	1	0	1	0	0	0	1	1
4	52	0	0	1	1	0	1	0	0	0	T	84	0	1	0	1	0	1	0	0	0
5	53	0	0	1	1	0	1	0	0	1	U	85	0	1	0	1	0	1	0	0	1
6	54	0	0	1	1	0	1	1	0	0	V	86	0	1	0	1	0	0	1	1	0
7	55	0	0	1	1	0	1	1	1	1	W	87	0	1	0	1	0	1	1	1	1
8	56	0	0	1	1	1	0	0	0	0	X	88	0	1	0	1	1	0	0	0	0
9	57	0	0	1	1	1	0	0	0	1	Y	89	0	1	0	1	1	0	0	0	1
:	58	0	0	1	1	1	0	1	0	0	Z	90	0	1	0	1	1	0	1	0	0
;	59	0	0	1	1	1	0	1	1	1	[91	0	1	0	1	1	0	1	1	1
<	60	0	0	1	1	1	1	0	0	0	\	92	0	1	0	1	1	1	0	0	0
=	61	0	0	1	1	1	1	0	1	1]	93	0	1	0	1	1	1	0	1	1
>	62	0	0	1	1	1	1	1	0	0	^	94	0	1	0	1	1	1	1	0	0
?	63	0	0	1	1	1	1	1	1	1	—	95	0	1	0	1	1	1	1	1	1

UNLISTEN
UNTALK

	Bit 7	Bit 6	Bit 5	Bit 4	Bit 3	Bit 2	Bit 1
Talker Adr.	1	0	X	X	X	X	X
Listener Adr.	0	1	X	X	X	X	X

Fig.3

mit diesen 5 Bits ist die Geräteadresse einstellbar

3.3.2.3 Anschlußkabel für das IEC-Bus-System

Eine Reihe verschiedener IEC-Anschlußkabel stehen dem Anwender zur Realisierung seines Meßsystems zur Verfügung. Diese Kabel gibt es in Längen von 1 m, 2 m und 4 m. Sie sind an beiden Enden mit einem 25-pol. Stecker versehen, kombiniert mit einer 25-pol. Kupplung montiert in einem kleinen Gehäuse. Durch diese Anordnung können mehrere Stecker aufeinandergesteckt werden.

Ein spezielles Adapterkabel gestattet den Anschluß amerikanischer Meßgeräte, die mit Anschlußbuchsen nach der IEEE-488/75 Norm ausgerüstet sind.

- PM 9480 IEC-Bus-Kabel, 1 m Länge
- PM 9481 IEC-Bus-Kabel, 2 m Länge
- PM 9482 IEC-Bus-Kabel, 4 m Länge
- PM 9483 IEC/IEEE Adapterkabel, Länge 1 m

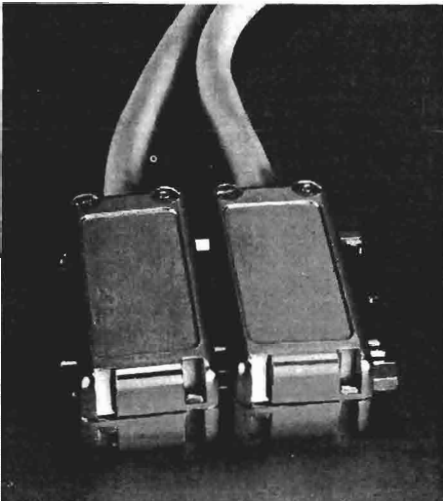
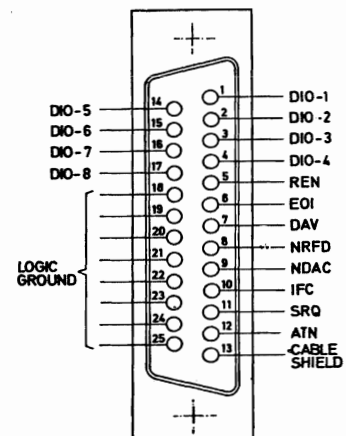


Fig.4



3.3.3. Programmierbeispiele

Beim Betrieb des PM 5190 in einem automatischen Meßsystem ergibt sich die Schwierigkeit, die Parameter für Amplitude/DC, Frequenz und Signalform in einer solchen Weise zu formatieren, daß die Anforderungen des PM 5190 Ablaufprogramms erfüllt werden können.

3.3.3.1 Format des Frequenz-Ausgabe-Strings

```
1. 2. 3. 4. 5. 6. 7. 8. 9.   Byte
F X X . X X X X ETX
```

- F = Frequenz - Kennung
- der Dezimalpunkt kann weggelassen oder an beliebiger Stelle gesetzt werden
- Die Dimension der Frequenz bei Programmierung über IEC-Bus ist immer kHz
- Leerstellen werden ignoriert
- es muß mindestens 1 Ziffer gesetzt sein
- wenn mehr als 6 Ziffern gesetzt sind, werden nur die ersten 6 akzeptiert und alle weiteren ignoriert
- andere Zeichen als Nullen, Leerstellen und Ziffern werden zwar akzeptiert, aber falsch interpretiert
- ETX = End of text; dieses Zeichen kann hier weggelassen und am Ende eines kompletten Datenstrings gegeben werden.

Beispiel:

F12.5ETX bedeutet 12,5 kHz

F.1ETX setzt die Frequenz auf 100 Hz (0,1 kHz)

Anzeige bei Bereichsüberschreitung

Wird eine Frequenz gewählt, die außerhalb des Bereiches bzw. der größtmöglichen Auflösung liegt, dann beginnt die Anzeige des Frequenzanzeigefeldes zu blinken.

3.3.3.2 Format des AC/DC-Ausgabe-Strings

Zum Setzen der Amplitude bzw. des DC-Offsets über den IEC-Bus müssen die Daten nach folgendem Schema gegeben werden:

```
1. 2. 3. 4. 5. 6. 7. 8. 9. 10.  Byte
A X . X X D - X X ETX
```

- A = Amplituden - Kennung
- für die Amplitude müssen 3 Ziffern gesetzt werden, einschließlich führender sowie nachfolgender Nullen
- die erste Ziffer vom AC-Wert darf nur 0 oder 1 sein
- der Dezimalpunkt darf nur vor der 1., 2. oder dritten Ziffer stehen, muß aber gesetzt sein
- Leerstellen werden ignoriert
- 6.Byte D = DC - Kennung; muß als 6.Byte gesetzt sein, sonst wird der gesamte Datenstring ignoriert

- für positive DC-Werte muß das Vorzeichen weggelassen werden d.h., der Datenstring enthält nur 9 Bytes
- der Dezimalpunkt des DC-Feldes ist gekoppelt mit dem Dezimalpunkt des AC-Feldes, daher braucht kein DP eingegeben zu werden.
- Leerstellen (spaces) werden ignoriert
- ETX = end of text; kann fortgelassen und am Ende eines kompletten Datenstrings gesetzt werden.

Beispiel: AO6.3D22ETX setzt auf dem PM 5190 eine Amplitude von 6,3 Vpp mit einem DC-Offset von +2,2 V

Anzeige bei Bereichsüberschreitung

Wird durch die gewählte Amplitude und den DC-Offset der zulässige Bereich des Ausgangsverstärkers überschritten, dann beginnen die Anzeigefelder für Amplitude und DC zu blinken.

Formatierung mit PET/cbm

Grundidee der Formatierung mit dem Tischrechner ist:

1. Die Addition einer großen gebrochenen Dezimalzahl zum Zahlenwert A der Amplitude; diese Dezimalzahl soll an den Dezimalstellen von A Nullen aufweisen;
2. Die Umwandlung des nach der Addition entstandenen Zahlenwertes in einen String;
3. Die Heraustrennung eines 3-stelligen Stringsegmentes mit Dezimalpunkt abhängig vom Wert A.

Beispiel: A = 0,35 V
 Addend = 100.0005
 Summe = 100.3505
 Segment = 0.35

Man erkennt an diesem Beispiel, in welcher Weise leading und trailing zeros durch diese Vorgehensweise gebildet werden.

Die Zuordnung der Position des Stringsegmentes zum Betrag von A wird durch die folgende Tabelle deutlich:

	A	A+100.0005
<.2	0.001	100.0015
	.	.
	.	.
	0.199	100.1995
< 2	0.2	100.2005
	.	.
	.	.
	1.99	101.9905
> 2	2.0	102.0005
	.	.
	.	.
	19.9	119.9005

Es ergeben sich also 3 Konstellationsmöglichkeiten in Abhängigkeit davon, ob $A < 0.2$, $A < 2$ oder $A > 2$ gilt.

Die Durchführung dieser Stringsegmentbildung kann mit folgendem Unterprogramm durchgeführt werden:

```
800 A$=STR$(100.0005+A)
810 FOR I=0 TO 2
820 IF A =.2*10↑I THEN 850
830 M$=MID$(A$,5-I,4)
840 RETURN
850 NEXT I
```

Hierin ist A der Zahlenwert der Amplitude. M\$ ist das korrekt formatierte Stringsegment für die Amplitude, das dann in den Amplituden-/DC-String eingefügt werden kann.

Beispiel: PRINT#5,"A";M\$;"DOO";CHR\$(3)
 (die Bedeutung von CHR\$(3) siehe Seite 3-19)

Das vorstehend erläuterte Verfahren der Formatierung der Amplitudendaten ist insbesondere dann sinnvoll oder sogar erforderlich, wenn sehr viele und sehr unterschiedliche Amplitudenwerte anfallen und eingestellt werden sollen. Dies ist beispielsweise dann der Fall, wenn ein fein-gestuftes Amplituden-Sweep gesteuert werden soll. Der Amplitudenwert ist dann eine Variable, die innerhalb eines Rechenprogrammes einen besonders hohen Wertevorrat durchlaufen kann. Das andere Extrem sind ein einzelner oder einige wenige Amplitudenwerte, die natürlich auch unmittelbar in korrekter Formatierung eingegeben werden können.

Formatierung des DC-Wertes

Wie für die Amplitude ist für DC nur dann eine besondere Formatierungsroutine erforderlich, wenn DC als Variable beispielsweise innerhalb eines Rechenprogrammes fungiert. Wegen der Kopplung des möglichen DC-Wertebereiches mit dem jeweiligen Amplitudenwert wurde eine kombinierte Amplituden/DC-Formatierungsroutine konzipiert, die im folgenden präsentiert und erläutert wird:

```

993 REM *****
994 REM
995 REM          AC/DC FORMATIERUNG
996 REM          -----
997 REM BEI UEBERSCHREITUNG DES MAXI-
998 REM MALEN AUSGANGSPEGELS ERFOLGT
999 REM FEHLERMELDUNG UND
1000 REM PROGRAMMSTOP
1001 REM
1005 IF A<=19.9 THEN 1030
1010 PRINT "ERROR:AMPLITUDE>19.9V"
1020 END
1030 A$=STR$(100.0005+A)
1040 FOR I=0 TO 2
1050 IF A>=.2*10↑I THEN 1080
1060 M$=MID$(A$,5-I,4)
1070 GOTO 1090
1080 NEXT I
1090 IF I=0 THEN 1120
1100 IF I=1 THEN 1150
1110 IF I=2 THEN 1180
1120 IF A/2+D<.1 THEN 1210
1125 X=.1-A/2
1130 PRINT"ERROR:DC>=";X;"V"
1140 END
1150 IF A/2+D<1 THEN 1210
1155 X=1-A/2
1160 PRINT"ERROR:DC>=";X;"V"
1170 END
1180 IF A/2+D<10 THEN 1210
1185 X=10-A/2
1190 PRINT"ERROR:DC>=";X;"V"
1200 END
1210 D$=STR$(10.00005+D/10)
1220 N$=MID$(D$,7-I,2)
1230 RETURN

```

A ist der Amplituden-Wert in Volt
D ist der Betrag des DC-Wertes in Volt
M\$ ist der korrekt formatierte Amplituden-Wert
N\$ ist der korrekt formatierte DC-Wert ohne evtl. Minuszeichen

Beispiel: A = 1
 D = 0.5
es resultiert: M\$ = 1.00
 N\$ = 50

Ist D gegenüber A zu groß, so erscheint auf dem Display eine Fehlermeldung. Das Programm wird gestoppt.

Beispiel: A = 1.23
 D = 1
es wird ERROR: DC> = V angezeigt.

Die Subroutine läuft zunächst entsprechend der in Abschnitt 2 erläuterten Formatierungs-Subroutine für die Amplitude ab. Der resultierende Wert für I wird im darauf folgenden Teil der Subroutine zur Vorprüfung von DC-Bereichsüberschreitungen herangezogen. Liegt eine Bereichsüberschreitung vor, so erfolgt eine entsprechende Anzeige auf dem Display und der Programmablauf wird gestoppt. Anderenfalls erfolgt eine Stringsegmentaufbereitung unter Benutzung von I in ähnlicher Weise wie für die Amplitude. Das resultierende Stringsegment ist der korrekt formatierte DC-Wert "NS".

Bus-Daten

PM 5190 benötigt als Abschlußzeichen eines Datenstring jeweils ein ETX (= Zeichen Nr.3 aus ASCII-Code). Dieses kann bei PET/cbm mit dem String-Befehl CHR\$(3) abgerufen werden. Vor der Print-Anweisung für den Datentransfer nach PM 5190 muß ferner ein OPEN-Befehl gegeben werden.

Beispiel: OPEN 5, 4, 0

1. Ziffer hinter OPEN beliebig wählbar zwischen 0 und 255: Logische File-Nummer.
2. Ziffer ist Geräte-Adresse: darf bei PET/cbm zwischen 4 und 15 liegen.
3. Ziffer = 0: bestimmt Lese-Vorgang.

Nach der Datenübertragung muß der logische File mit einer CLOSE-Anweisung wieder geschlossen werden:

Beispiel einer Frequenzdaten-Anweisung:

```
OPEN 5, 4, 0
PRINT#5, "F1"; CHR$(3)
CLOSE 5
```

Frequenz wird auf 1 kHz eingestellt.

Dabei ist zu beachten, daß bei Steuerung über IEC-Bus alle Frequenzangaben nur in kHz gemacht werden.

Beispiel einer Amplituden-/DC-Anweisung:

```
OPEN 5, 4, 0
PRINT#5, "A"; M$; "D"; N$; CHR$(3)
CLOSE 5
```

Amplitude und DC werden auf den Wert von M\$ bzw. N\$ eingestellt (siehe vorherg. Abschnitt).

3.3.3.3 Format des Signalform-Ausgabe-Strings

Zum Schalten der Signalform erfordert das PM 5190 einen Datenstring in der folgenden Form:

1. 2. 3. Byte
W X ETX

- W = Wave form = Signalform - Kennung
- X = Signalform
 - 1 für Sinus
 - 2 " Rechteck
 - 3 " Dreieck
 - 4 " Sinus/AM ext.
 - 5 " Dreieck/AM ext.

- Bei Eingabe anderer Ziffern als diese wird der Befehl ignoriert
- Leerstellen werden ignoriert
- ETX = end of text
Eingabe dieses Zeichens bewirkt Ausführung der übertragenen Befehle

Jeder übertragene String, ob eine Einfach- oder Mehrfach-Anweisung, muß demnach mit ETX abgeschlossen werden, um die Ausführung der übertragenen Kommandos zu starten.

3.3.3.4 Beispiel für eine Mehrfachanweisung

F3.3A1.50D05W1ETX

Diese Anweisung bewirkt das Setzen

der Frequenz auf 3,3 kHz,
der Amplitude auf 1,50 Vpp
der Gleichspannung auf +0,05 V,
sowie der Sinusform.

Mit ETX = ASCII 3 wird dieser Datenstring vom PM 5190 ausgeführt, d.h. die gewünschten Daten werden aufbereitet und zum Ansteuern des Abschwä- chers, Phasenakkumulators u.s.w. benutzt.

3.3.4. Anwendungsbeispiele

3.3.4.1 Frequenzgang Messung

Häufig stellt sich die Aufgabe, relative Amplitudengänge mit hoher Genauigkeit, z.B. $< 0,05$ dB im Bereich bis 100 kHz oder $< 0,2$ dB bis 1 MHz, zu messen. Die konventionelle Methode hierfür, im Handeinstellungsverfahren die Meßwerte punktweise aufzunehmen und dann auszuwerten, ist sehr mühsam und zeitraubend. Da es heute ausreichend genaue, programmierbare Meßgeräte auf dem Markt gibt, bietet sich die Möglichkeit an, einen automatischen Meßplatz zu erstellen, um den Ablauf und die Datenauswertung von einem Tischrechner, wie z.B. PET/cbm, ausführen zu lassen.

In dieser Applikation wurde der Meßplatz mit dem LF Synthesizer PM 5190, dem Fluke RMS-Voltmeter 8920A und dem Plotter PM 8150 ausgerüstet, Fig.5. Die Meßergebnisse werden während der Messung auf Display ausgegeben, nach beendeter Messung wird die Darstellung der Amplitude über der Frequenz auf dem Plotter als Kurve dargestellt, Fig.6. Um einen ausreichend großen Bereich darstellen zu können, wird der Maßstab für Frequenz und Amplitude jeweils logarithmisch aufgeteilt.

Spezifikation des Meßplatzes

Geräte des Meßplatzes:

- | | |
|------------------------------|---|
| 1. LF Synthesizer PM 5190 | Adresse 4 |
| 2. RMS-Voltmeter/Fluke 8920A | Adresse 5 (Sekundäradresse im Translator 1120A durch Schließen der Lötswitcher 1 und 6 außer Funktion gesetzt),
Betriebsarten: AC, Auto, Volts |
| 3. X-Y Plotter PM 8150 | Adresse 6 |

Meßparameter

Die gewählten Werte der folgenden Parameter werden zu Beginn des Programm-Ablaufs über die Tastatur des Tischrechners eingegeben:

- | | |
|-------------------|--|
| 1. F1 in kHz | untere Frequenz-Meßbereichsgrenze |
| 2. F2 in kHz | obere Frequenz-Meßbereichsgrenze |
| 3. FO in kHz | Referenzfrequenz, für welche Meßamplitude
= 0 dB gesetzt wird |
| 4. n | Anzahl der Frequenzschritte von F1 nach F2 |
| 5. A in Vp-p | Generator-Amplitude |
| 6. D in \pm Vdc | Generator-DC-Offset |
| 7. A1 in dB rel. | untere dB-Grenze des vom Plotter gezeichneten
Koordinaten-Rasters (z.B. -50 dB) |
| 8. A2 in dB rel. | obere dB-Grenze des Koordinatenrasters
(z.B. 0 dB) |

Erläuterungen zum Meßvorgang

Der gewählte Frequenzbereich zwischen F1 und F2 wird exponentiell, d.h. in n gleich großen logarithmischen Schritten durchlaufen, die durch den Rechner aus F1, F2 und n ermittelt werden. Bei jeder der n Frequenzeinstellungen wird eine Amplitudenmessung in V_{eff} durchgeführt. Die laufenden Frequenz- und Amplitudenwerte werden auf dem Rechner-Display tabellarisch dargestellt.

Anschließend werden die n Meßfrequenzen und die aus den Meßamplituden ermittelten relativen dB-Werte auf dem Rechner-Display ausgelistet. Danach führt der X-Y-Plotter folgende Operationen durch:

1. Zeichnen des Koordinaten-Rasters
2. Zeichnen der Amplitudengang-Kurve
3. Markierung des Referenzpunktes der Amplitudengang-Kurve
4. Eintragung der Werte von A_1 , A_2 , F_1 und F_2 in das Diagramm
5. Ausdrucken von Referenzfrequenz, Referenzamplitude und Generatoramplitude.

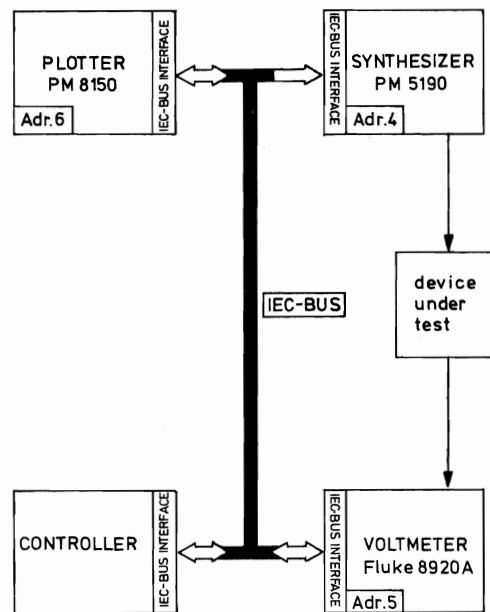
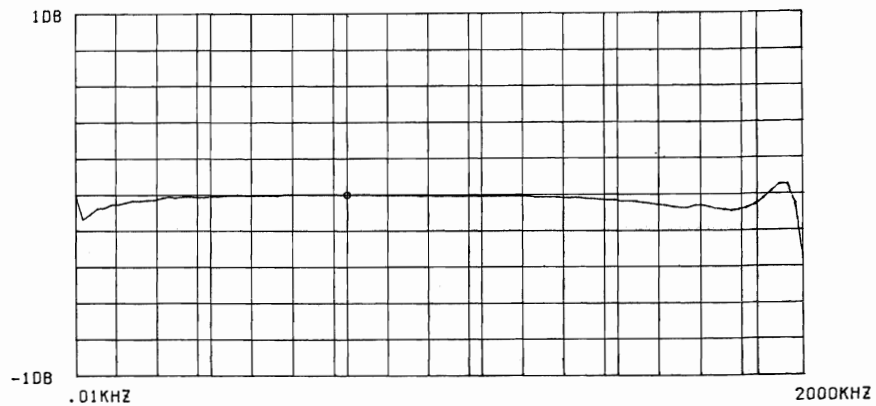


Fig.5



REFERENZFREQUENZ= 1KHZ

REFERENZAMPLITUDE= 1.798VRMS ENTSPR. 5.08834VP-P

GENERATORAMPLITUDE= 10VP-P ENTSPR. 5VP-P AN 50 OHM

Fig.6

```

10 REM *****
20 REM
30 REM
100 REM ALLGEMEINES PROGRAMM ZUM
110 REM PLOTTEN VON AMPLITUDENGAENGEN
120 REM IM DOPELT-LOGARITHMISCHEM
130 REM MASSTAB;PARAMETER:
150 REM F1,F0,F2,N,A,A1,A2
160 REM
240 REM VERWENDETE GERAETE:
250 REM VOLTMETER FLUKE 8920A,ADDR.5
260 REM PLOTTER PMS180,ADDR.6
270 REM LF-SYNTHEISIZER PMS190,ADDR.4
275 REM
280 REM *****
281 REM
282 REM FELDDIMENSIONIERUNG
283 REM
290 DIM H(101):REM H(I)=FREQ.VARIABLE
295 DIM E(101):REM E(I)=SPGS.VARIABLE
300 REM
301 REM *****
302 REM
303 REM     PARAMETER - EINGABE
304 REM
310 PRINT "J":PRINT:PRINT
315 PRINT "EINGABE DER UNTEREN FREQ.-"
320 PRINT:PRINT "GRENZE F1(KHZ)  ";
325 INPUT F1
330 REM
335 PRINT:PRINT
340 PRINT "EINGABE DER OBEREN FREQ.-"
345 PRINT:PRINT "GRENZE F2(KHZ)  ";
350 INPUT F2
355 REM
360 PRINT:PRINT
365 PRINT "EINGABE DER REFERENZ-"
370 PRINT:PRINT "FREQUENZ F0(KHZ)  ";
375 INPUT F0
376 REM
380 PRINT:PRINT
385 PRINT "EINGABE DER ANZAHL DER "
390 PRINT:PRINT "FREQUENZSCHRITTE N (<=100). ";
395 INPUT N
396 REM
398 PRINT:PRINT
400 PRINT "EINGABE DER GENERATOR-"
405 PRINT:PRINT "AMPLITUDE A (VP-P)";
410 INPUT A
411 REM
412 PRINT:PRINT
415 PRINT "EINGABE DES GENERATOR-DC-"
416 PRINT:PRINT "WERTES D      ";
420 INPUT D
425 REM
426 PRINT:PRINT
428 PRINT "EINGABE DES MINIMALEN AUS-"
430 PRINT:PRINT "GANGSPEGELS(DB REL)";
435 INPUT A1
437 REM
439 PRINT:PRINT
440 PRINT "EINGABE DES MAXIMALEN AUS-"
445 PRINT:PRINT "GANGSPEGELS(DB REL)";
450 INPUT A2
455 REM
456 REM *****
457 REM
458 REM
460 DEF FNK(X)=LOG(F2/F1)/N
470 DEFFNH(Z)=INT(1E6*F1*EXP(FNK(X)*I)+.5)/1E6
474 REM
475 REM
476 REM
480 GOSUB1000
485 OPEN 5,4,0
490 FOR I=0 TO N
500 PRINT#5,"F";FNH(Z);"A";M$;"D";N$;CHR$(3)
530 GOSUB 900
540 LET E(I)=E
545 LET H(I)=FNH(Z)
547 PRINT H(I), E(I)
550 NEXT I
555 CLOSE 5

560 REM
565 REM AUSLESEN DER AMPLITUDE
570 REM BEI F=F0
575 REM
580 OPEN 5,4,0
590 PRINT#5,"F";F0;CHR(3)
600 CLOSE 5
610 GOSUB 900
620 E(101)=E
650 GOTO 1580:REM  -->  -->
850 REM
855 REM *****
860 REM
865 REM AUSLESEN DES MESSWERTES VOM
870 REM FLUKE VOLTMETER 8920 A
875 REM IEC-ADRESSE = 5
880 REM MESSWERT = 'E'
885 REM
890 REM
900 OPEN 1,5,1
910 INPUT#1,E$
920 IF ST<>0 THEN 910
930 E=VAL(E$)
940 B=E
950 INPUT#1,D$
960 IF ST<>0 THEN 950
965 E=VAL(D$)
970 P=E-B
980 IF ABS(P)>.0005*B THEN 940
990 CLOSE 1
991 RETURN
993 REM *****
994 REM
995 REM     AC/DC FORMATIERUNG
996 REM
997 REM BEI UEBERSCHREITUNG DES MAXI-
998 REM MALEN AUSGANGSPEGELS ERFOLGT
999 REM FEHLERMELDUNG UND
1000 REM PROGRAMMSTOP
1001 REM
1005 IF A<=19.9 THEN 1030
1010 PRINT "ERROR:AMPLITUDE>19.9V"
1020 ENB
1030 A$=STR$(100.0005+A)
1040 FOR I=0 TO 2
1050 IF A>=.2*10^I THEN 1080
1060 M$=MID$(A$,5-I,4)
1070 GOTO 1090
1080 NEXT I
1090 IF I=0 THEN 1120
1100 IF I=1 THEN 1150
1110 IF I=2 THEN 1180
1120 IF A/2+D<.1 THEN 1210
1125 X=.1-A/2
1130 PRINT"ERROR:DC>=";X;"V"
1140 ENB
1150 IF A/2+D<1 THEN 1210
1155 X=1-A/2
1160 PRINT"ERROR:DC>=";X;"V"
1170 ENB
1180 IF A/2+D<10 THEN 1210
1185 X=10-A/2
1190 PRINT"ERROR:DC>=";X;"V"
1200 ENB
1210 D$=STR$(10.00005+D/10)
1220 N$=MID$(D$,7-I,2)
1230 RETURN
1240 ENB
1500 REM *****
1510 REM
1520 REM FORTSETZUNG DES HAUPTPROGR.
1530 REM DARSTELLUNG DER MESSWERTE
1540 REM AUF DISPLAY.
1550 REM
1560 FOR I=1 TO N
1583 G$=STR$(H(I))
1586 L$=LEFT$(G$,8)
1587 W=INT(2E5*LOG(E(I)/E(101))/LOG(10))/1E4
1590 PRINT L$;"KHZ";W;"DB"
1600 NEXT I
1610 REM
1630 REM
2900 REM *****

```

```

2910 REM
2920 REM ZEICHNEN DES KOORDINATEN-
2930 REM RASTERS AUF PLOTTER PMS150
2940 REM
2950 REM IEC-ADRESSE = 6
2960 REM
3000 OPEN 3,6,0
3010 DIM Q(4)
3020 PRINT#3,"M 1300,1000";CHR$(3);"E 0,1000";CHR$(3)
3025 PRINT#3,"E 2000,0,0,-1000,-2000,0";CHR$(3);"0 0,0";CHR$(3)
3040 Q(1)=1
3050 Q(2)=2
3060 Q(3)=4
3070 Q(4)=8
3080 DEF FNL(X)=B*Q(I)
3090 DEF FNR(X)=INT(2000*LOG(FNL(X))/LOG(F2/F1))+1300
3100 B=.1
3110 B=10*B
3120 FOR I=1 TO 4
3130 IF FNL(X)>F2/F1 THEN 3170
3140 PRINT#3,"M";STR$(FNR(X));", "; "1000";CHR$(3)
3142 PRINT#3,"E 0,1000";CHR$(3)
3145 PRINT#3,"0 0,0";CHR$(3)
3150 NEXT I
3160 GOTO 3110
3165 REM
3170 DEF FNS(X)=1000+I*100
3180 FOR I=1 TO 9
3190 PRINT#3,"M";STR$(1300);", "; STR$(FNS(X));CHR$(3)
3200 PRINT#3,"E 2000,0";CHR$(3)
3210 NEXT I
3220 PRINT#3,"0 0,0";CHR$(3)
3310 DEF FN(X)=INT(1300+LOG(H(I)/F1)*2000/LOG(F2/F1))
3320 DEFFNZ(X)=2000-A2*1000/(A2-A1)+20*LOG(E(I)/E(101))*1000/((A2-A1)*LOG(10))
3325 DEF FNY(X)=INT(FNZ(X))
3330 REM
3331 REM *****
3332 REM
3333 REM ZEICHNEN DES AMPLITUDENGANGES
3335 REM
3340 I=0
3350 PRINT#3,"M";STR$(FN(X));", "; STR$(FNY(X));CHR$(3)
3360 FOR I=1 TO N
3370 PRINT#3,"D";STR$(FN(X));", "; STR$(FNY(X));CHR$(3)
3371 FOR G=1 TO 5
3372 L=LOG(G+125)
3373 NEXT G
3375 NEXT I
3376 REM BESCHRIFTUNG DER AXSEN UND
3377 REM AUSGABE VON REF.-FREQ. UND
3378 REM REF.-AMPLITUDE
3379 REM
3380 PRINT#3,"0 0,0";CHR$(3)
3390 H(101)=F0
3400 I=101
3410 PRINT#3,"M";STR$(FN(X));", "; STR$(FNY(X));CHR$(3)
3420 PRINT#3,"N";STR$(5);CHR$(3)
3430 PRINT#3,"M 1120,900";CHR$(3)
3440 PRINT#3,"P";STR$(A1);"DB";CHR$(3)
3450 PRINT#3,"M 1120,1980";CHR$(3)
3460 PRINT#3,"P";STR$(A2);"DB";CHR$(3)
3470 PRINT#3,"M 1250,930";CHR$(3)
3480 PRINT#3,"P";STR$(F1);"KHZ";CHR$(3)
3490 PRINT#3,"M 3250,930";CHR$(3)
3500 PRINT#3,"P";STR$(F2);"KHZ";CHR$(3)
3510 PRINT#3,"M 1300,800";CHR$(3)
3520 PRINT#3,"P REFERENZFREQUENZ=";STR$(F0);"KHZ";CHR$(3)
3530 PRINT#3,"M 1300,700";CHR$(3)
3540 PRINT#3,"P REFERENZAMPLITUDE=";STR$(E(101));"VRMS";CHR$(3)
3541 PRINT#3,"P ENTSPR.";STR$(2.83*E(101));"VP-P";CHR$(3)
3542 PRINT#3,"M 1300,600";CHR$(3)
3544 PRINT#3,"P GENERATORAMPLITUDE=";STR$(A);"VP-P";CHR$(3)
3546 PRINT#3,"P ENTSPR.";STR$(A/2);"VP-P AN 50 OHM";CHR$(3)
3550 PRINT#3,"0 0,0";CHR$(3)
3560 PRINT#3,"H";CHR$(3)
3570 CLOSE 3
3580 END
3590 REM
3600 REM
3610 REM *****

```

3.3.4.2 "Heia, Kathreinele"

Ein einfacher Gerteaufbau ergibt sich aus der Zusammenschaltung des Instrumentation Controllers PM 4410 mit dem PM 5190, ergnzt durch einen Lautsprecher.

Obschon dies Beispiel nicht das gehobene Interesse des geneigten Lesers finden mag, das wohl mehr industriellen und wissenschaftlichen Betrachtungen zugeneigt ist - siehe das vorangegangene Beispiel - soll auch dies musikalische Beispiel zur Einfhrung in die IEC-Bus-Fernbedienung des Gertes dienen: Die Melodie des deutsch/franzsischen Volksliedes "Heia, Kathreinele, schnr mir die Schuh,..." wurde kodiert und auf einer Floppy-Disk gespeichert, ber das Floppy-Disk-Laufwerk in den Speicher des PM 4410 eingegeben und auf dem IEC-Bus an den Synthesizer bertragen.

Wir mssen uns bei den musisch Begabten unter uns dafr entschuldigen, da wir nicht in der Lage sind, die Musikalitt voller weicher Tne im Programm zu bercksichtigen und auch dem Ausdruck der Empfindungen dieses Volksliedes nicht gerecht werden knnen. Aber in Verbindung mit unserer Abteilung fr professionelle Ton-Studio-Gerte drfte es eine reizvolle Aufgabe sein, auch dieses Problem in den Griff zu bekommen.

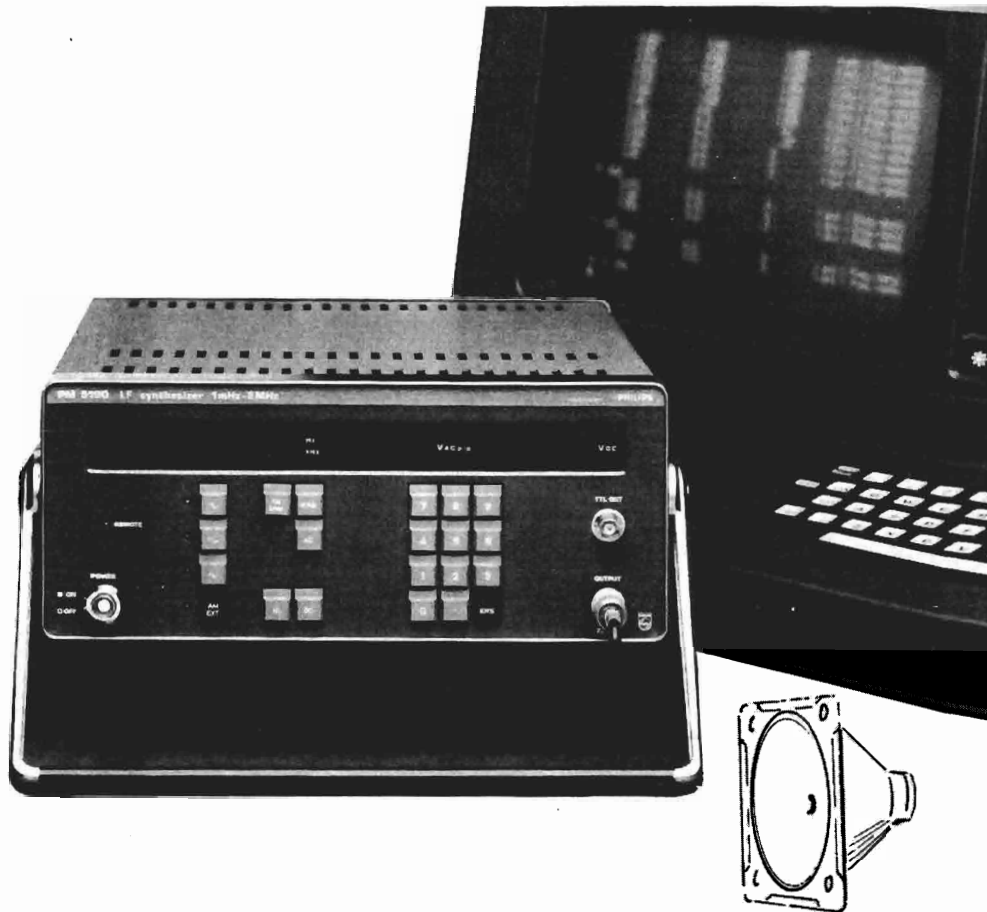


Fig.7 Gerteaufbau
 - PM 4410 Instrumentation Controller
 - PM 5190 LF Synthesizer
 - Lautsprecher

Heia, Kathreinele

1. Hei - a, Ka - threi - ne - le,
schrzt dir dein Rk - ke - ie,
schnr dir die Schuh,
gnn dir kein Ruh!
Di - del du - del da - del, schrumm schrumm schrumm,
geht schon der Hop - ser um. Hei - a, Ka -
threi - ne - le, frisch im - mer - zu!

Fig.8 Melodie des Volksliedes

```

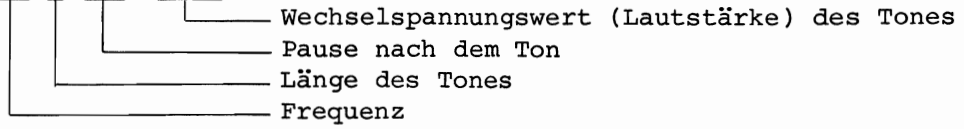
1 PRINT #G:"A.001D00"
2 END
100 INIT
105 LET G=4
106 PRINT #G:"W3A.001D00"
110 DIM F(12,6)
120 LET F0=55
130 FOR I=1 TO 6
140 FOR J=1 TO 12
150 LET C=12*(I-1)+J
160 LET F(J,I)=INT(F0*2**((C+2)/12)*100+.5)/1E5
170 NEXT J
180 NEXT I
210 READ X,Y,Z,Z1,A$
220 IF X=0 THEN 250
225 PRINT #G:"F";F(X,Y+2);"A";A$;"D00"
230 DELAY INT(15/Z+.5)
235 IF Z1=0 THEN 210
236 PRINT #G:"A.001D00"
237 DELAY INT(15/Z1+.5)
240 GOTO 210
250 PRINT #G:"A.001D00"
255 DELAY 5
256 RESTORE
257 GOTO 210
260 DATA 3,3,4,100,"19.9",10,2,4,100,"19.9",10,2,4,100,"19.9",10,2,2.7,10,"19.9"
270 DATA 8,2,8,100,"19.9",7,2,4,100,"19.9",8,2,4,100,"19.9",7,2,4,100,"19.9"
280 DATA 5,2,4,100,"19.9",7,2,2,4,"19.9"
290 DATA 3,3,4,100,"19.9",10,2,4,100,"19.9",10,2,4,100,"19.9",10,2,4,100,"19.9"
300 DATA 8,2,8,100,"19.9",7,2,4,100,"19.9",8,2,4,100,"19.9",7,2,4,100,"19.9"
310 DATA 5,2,4,100,"19.9",3,2,2,4,"19.9"
320 DATA 2,2,8,100,"19.9",2,2,8,100,"19.9",5,2,8,100,"19.9",5,2,8,100,"19.9"
330 DATA 2,2,8,100,"19.9",2,2,8,100,"19.9",3,2,4,100,"19.9",10,2,4,100,"19.9"
340 DATA 10,2,4,100,"19.9",2,2,4,100,"19.9",5,2,4,100,"19.9",2,2,4,100,"19.9"
350 DATA 3,2,4,100,"19.9",10,2,4,100,"19.9",10,2,4,100,"19.9",3,3,4,100,"19.9"
360 DATA 10,2,4,100,"19.9",10,2,4,100,"19.9",10,2,2.7,100,"19.9",8,2,8,100
370 DATA "10.9"
380 DATA 7,2,4,100,"19.9",8,2,4,100,"19.9",7,2,4,100,"19.9",5,2,4,100,"19.9"
390 DATA 3,2,2,100,"19.9"
9999 DATA 0,0,0,0," "
:EOS

```

Fig.9 Programmierte Melodie des Volksliedes, Eingabe fr den PM 4410

Das Programm wird im PM 4410 in IEC-Bus-Anweisungen umgeformt. Lassen Sie uns einige Daten erläutern, z.B. die erste Note der Melodie, "d":

260 DATA 3,3,4,100,"19.9"



1. 3,3 Frequenz des Tones: "d"

Die erste Zahl stellt den (dritten) Ton innerhalb der Oktave von 12 Halbtönen dar (X im Programm), wobei er erste Ton c ist. Die Schrittweite (Tonabstand) ist $\sqrt[12]{2}$, programmiert im Controller. Die zweite Zahl bestimmt die Oktave. 6 Oktaven stehen für den Tonumfang Y zur Verfügung:

- 1 - Kontrabass, Whisky-Stimme
- 2 - Bass
- 3 - Bariton
- 4 - Alt/Tenor
- 5 - Sopran
- 6 - Sopranino

Für die Transformierung der Melodie in die verschiedenen Oktaven siehe Zeile 225: 225...F(X,Y+2)...

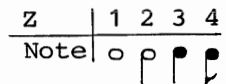
Y+2 bedeutet, daß alle Töne 2 Oktaven höher erklingen, als sie ursprünglich im Programm geschrieben sind. Also wird der erste Ton z.B. in der 3+2 = 5ten Oktave erklingen.

Über die Frequenz geben die Zeilen 130 bis 150 Auskunft: 1,1 stellt den tiefsten Ton von 55 Hz dar, siehe Zeile 120 LET FO=55.

2. Länge des Tones, dritte Zahl, Z

Siehe Zeile 230 DELAY INTEGER (15/Z+.5)

Z = 1 steht für eine volle Note von 1,5 s Dauer, also
 Z = 4 ergibt $15/4 \hat{=} 1/4$ Note, ca. 0,4 s.



Die Melodie erklingt zweimal schneller als sie kodiert ist.

3. Pause nach dem Ton, vierte Zahl, Z1, siehe Zeile 237.

100 entspricht einer Pause von 1/100 einer vollen Note.

4. Wechselspannung (Lautstärke): 19,9 Vac

In den Pausen ist die "Lautstärke" "A.OO1" $\hat{=} 1$ mVac.
 Der Gleichspannungswert ist immer auf DOO $\hat{=} 0$ mV gesetzt.

Wenn wir einen Blick in die Zukunft werfen, wäre es doch denkbar mehrere solcher Aufbauten zusammenzuschalten, sie mit multiplex-Techniken und Ton-Studio-Geräten zu durchsetzen, mit dem Ergebnis der

"IEC-Bus-Symphonie Nr.9 von Ludwig van Beethoven".

Notice d'emploi

1. GENERALITES

1.1. INTRODUCTION

Le synthétiseur BF PM 5190 est un générateur de signal à applications multiples et de hautes performances.

Il produit trois formes de signal, à savoir l'onde sinusoïdale, l'onde carrée et l'onde triangulaire dans une gamme de fréquence comprise entre 1 mHz et 2 MHz.

L'appareil est développé pour de nombreuses applications professionnelles où il est nécessaire de disposer d'une source de signal stable, notamment pour les laboratoires de développement et pour effectuer des étalonnages ainsi que dans le cas de programmes de pointe du secteur éducatif.

L'ajustage de la fréquence du synthétiseur est extrêmement précis étant donné l'utilisation d'un cristal pour le contrôle d'oscillateur.

Tous les paramètres de base comme la fréquence, l'amplitude, l'offset en courant continu et la forme de l'onde sont déterminées en actionnant le clavier d'opération.

En outre, tous ces paramètres peuvent être programmés à distance via un interface IEC bus incorporé dans l'appareil.

Tant en commande locale qu'en commande à distance ces paramètres sont visualisables sur un affichage de chiffres LED 7 segments combinés avec des diodes LED's pour ordre de grandeur et formes d'ondes.

Un microprocesseur constitue l'unité centrale d'opération et de commande de l'instrument. Il accepte les données d'entrée provenant soit du clavier de commande local soit d'une instrumentation externe via le IEC bus. Après examen et traitement de ces données, il actionne via des circuits-porte I/O les différentes unités fonctionnelles de l'appareil pour une exécution adéquate.

Dans le cas de données inacceptables le microprocesseur ordonne le clignotement des LED's de l'affichage.

Une possibilité d'effacement permet le changement ou la suppression de l'information ceci via le clavier de commande.

La technique de génération du signal produit par l'instrument est basée sur la synthèse directe d'un signal digital:

Des échantillons successifs du signal digital sont calculés par un circuit de traitement rapide TTL et convertis en signaux analogiques.

Cette technique permet une réponse extrêmement rapide en cas de réglages de fréquence alternés.

La programmation à distance est conçue suivant le standard international "Système d'interface pour appareils de mesure programmables" dénommé IEC bus.

Ainsi, via l'interface IEC bus incorporé, le PM 5190 peut fonctionner en combinaison avec tout instrument IEC bus PHILIPS ou avec tout instrument IEC bus fabriqué par un autre constructeur.

La tension de sortie continue peut être obtenue séparément ou utilisée en addition au signal de sortie en tant qu'offset.

Le générateur est également prévu pour une modulation externe de l'amplitude. Pour simulation ou essai en circuit TTL une sortie séparée en mode TTL a été prévue.

Toutes ces possibilités ont été incorporées dans un appareil présenté sous un boîtier compact et portable. La conception ordonnée du panneau frontal ainsi que la simplicité du clavier d'entrée permettent un maniement aisé de l'appareil.

1.2. CARACTERISTIQUES TECHNIQUES

A la livraison, cet appareil répond aux consignes de sécurité pour les appareils de mesure et de contrôle. Les instructions et avertissements contenus dans ce mode d'emploi doivent être observés par l'utilisateur afin d'assurer le fonctionnement de l'appareil dans les conditions de sécurité et de le maintenir conforme à la norme.

- Seules les valeurs indiquées avec une tolérance ou une limite sont garanties; les caractéristiques sans tolérance sont données à titre indicatif.
- Toutes les spécifications sont valables après un temps de chauffe de 30 min. en tenant l'appareil dans une position de montage constante.
- Les précisions (absolues ou en %) se rapportent à la valeur de référence indiquée.

1.2.1. Fréquence

Gamme nominale	1 mHz - 2 MHz
Gammes de mesure	0,001 Hz - 2000 kHz pour onde carrée et sinusoïdale 0,001 Hz - < 100 kHz pour onde triangulaire
Réglage	local: via le clavier de commande du panneau frontal à distance: via l'interface IEC bus
Résolution	6 digits
Affichage	6 digits à 7 segments LED 6 points décimaux 2 LED's pour ordre de grandeur Hz, kHz
Erreur de réglage	$\pm 1 \times 10^{-6}$ à 23° C
Coefficient de température	$< 1 \times 10^{-6}/K$
Effet de vieillissement	$< 1,5 \times 10^{-6}$ par an.

1.2.2. Formes d'ondes

	onde sinusoïdale, onde carrée, onde triangulaire, toutes symétriques en temps, toutes avec ou sans dc offset; tension continue sans signal ac
Sélection	local: via le clavier de commande du panneau frontal à distance: via l'interface IEC bus
Affichage	LED's pour forme d'onde sélectionné
ONDE SINUSOÏDALE	
Distorsion totale d'harmonique	< 0,4 % pour fréquences de 1 mHz à 50 kHz < 1,5 % pour fréquences de 50 kHz à 2 MHz
Composantes non harmoniques pour maximum d'amplitude	< -46 dB
Distorsion de phase	< -50 dB à l'intérieur de bandes de 30 kHz, centrées sur la fréquence de sortie (fréquences > 50 kHz)

ONDE CARREE

Temps de montée, temps de descente	< 50 ns.
Cycle de marche	50 %
– Tolérance	< 0,5 % (f = 1 kHz)
Pente	< 3 % (f < 100 kHz)
Suroscillation	< 5 %

ONDE TRIANGULAIRE

Gamme de fréquence	1 mHz – < 100 kHz
Erreur de linéarité	< 1 % pour fréquences < 10 kHz

1.2.3. Modulation

Mode	modulation d'amplitude externe
Mode d'affichage	LED
Porteuse	
– Forme d'onde	sinusoïdale, triangulaire
– Fréquence	> 10 Hz
Modulation de fréquence	dc ... 20 kHz
Coefficient de modulation	0,1 V/10 % AM
Profondeur de modulation	0 ... 90 %
Raccordement	entrée douille BNC AM EXT, panneau arrière
– Impédance d'entrée	20 K Ω
– Tension externe max.	± 30 V
– Potentiel de référence	contact extérieur de la douille BNC

1.2.4. Sortie

Raccordement	douille BNC
Impédance	50 Ohm ± 2 %
Valeur de charge	résistant au court-circuit
Tension externe maximum	± 15 V
Potentiel de référence	contact extérieur de la douille BNC

TENSION AC

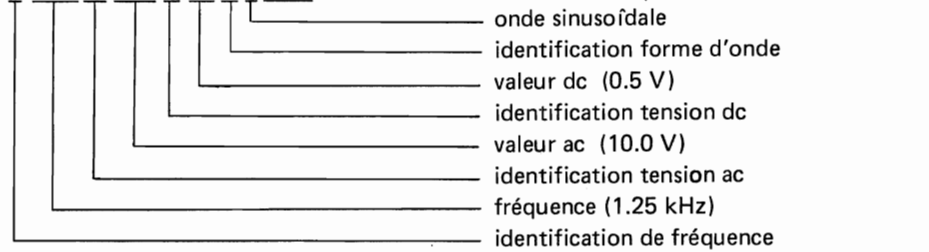
Gamme d'amplitude	0 - 19.9 Vac, cc en circuit ouvert
Sous-gamme I	.000 - .199 Vac
Sous-gamme II	0.00 - 1.99 Vac
Sous-gamme III	00.0 - 19.9 Vac
Incrément minimum	1 mV dans la sous-gamme I 10 mV dans la sous-gamme II 0.1 V dans la sous-gamme III

Réglage	local: via le clavier panneau frontal à distance: via l'interface IEC bus
Resolution	2 1/2 digits
Affichage	2 1/2 digits en LED's 7 segments 3 points décimaux
Erreur de réglage	$\pm 3\%$ pour réglages $02.0\text{ V} < ac < 19.9\text{ V}$ et fréquence $< 100\text{ kHz}$ $+3\%/-6\%$ pour réglages $02.0\text{ V} < ac < 19.9\text{ V}$ et fréquence $> 100\text{ kHz}$
Coefficient de température	$< 0.1\% / \text{K}$
TENSION CONTINUE D'OFFSET (DC)	
Gamme de tension dc	0 - 9.9 Vdc en circuit ouvert
Sous-gamme I	.000 - .099 Vdc
Sous-gamme II	0.00 - 0.99 Vdc
Sous-gamme III	00.0 - 09.9 Vdc
Choix de sous-gamme	déterminé par le réglage sous-gamme ac
Incrément minimum	1 mV dans la sous-gamme I 10 mV dans la sous-gamme II 0.1 V dans la sous-gamme III
Polarité	positive ou négative
Réglage	local: via le clavier panneau frontal à distance: via interface IEC bus
Résolution	2 digits
Affichage	polarité +/- 2 digits de 7 segments LED 3 points décimaux, la position est déterminée par le réglage du point décimal ac.
Erreur de réglage	$\pm 4\%$ de 10 à 100 % de chaque sous-gamme
Coefficient de température	$< 0,1\% / \text{K}$ de 10 à 100 % de chaque sous-gamme
Réglage max. de la tension dc	dépendante du réglage de tension ac: indication dc $\leq 100 - (\text{indication ac}) / 2$; les points décimaux sont ignorés
1.2.5. Sortie TTL	
Raccordement	douille BNC "TTL OUT"
Facteur de marche	50 %
Sortance	≥ 10 entrées TTL

Niveau	niveau standard TTL: Haut $> 2.4 \text{ V}$ Bas $< 0.8 \text{ V}$
Tension externe	pas à l'épreuve d'une tension externe $> 5 \text{ V}$
1.2.6. Indication de dépassement de gamme	
L'affichage clignote si:	<ul style="list-style-type: none"> – réglage de fréquence $> 2000 \text{ kHz}$ – réglage de fréquence $\geq 100 \text{ kHz}$ en \sim – résolution de fréquence $< 1 \text{ mHz}$ – tension dc dépasse le réglage de tension max. dc réglée
1.2.7. Commande à distance	
Conformité	IEC 625: Système d'interface pour appareils de mesure programmables
Interface	interface incorporé IEC bus
– Système entrée/sortie	bit parallèles-caractères serie
– Code entrée/sortie	code 7 bit ISO (identique à ASCII)
– Niveaux entrée/sortie	bas = $-0,5 \text{ V} \dots +0,8 \text{ V}$ haut = $+2,0 \text{ V} \dots +5,5 \text{ V}$
Indication d'état à distance	panneau frontal LED
Paramètres programmables	<ul style="list-style-type: none"> – fréquence – tension ac – tension dc – forme d'onde
Temps de réponse	7 ms pour la fréquence 6 ms pour la tension ac 14 ms pour la tension dc 5 ms pour la forme d'onde
Fonction de l'interface	<ul style="list-style-type: none"> – AH 1 : Conditionne l'instrument pour garantir la réception de messages multilignes émis à distance. – L 2 : Conditionne l'instrument pour recevoir les informations en provenance d'autres équipements via l'interface. – RL 1 : Conditionne l'instrument pour le choix de deux sources d'informations; soit locale par le panneau frontal soit via l'interface en provenance d'autres équipements. Ne permet pas de commuter immédiatement pour entrée informations via le clavier local.

Exemple de programmation

F 1.25 A 10.0 D 05 W 1 ETX



Raccordement	connecteur 25 pôles standard pour interface; à l'arrière de l'appareil
Voltage extérieur max.	-0.5 V/+5.5 V
Potential de référence	terre de mesure
Boitier connecteur	raccordé au conducteur de protection
1.2.8. Alimentation de l'appareil	secteur AC
Valeurs nominales	110 V / 128 V / 220 V / 238 V, commutables par cavaliers à souder
Gamme nominale de fonctionnement	±10 % de la valeur choisie
Limite de fonctionnement	±10 % de la valeur choisie
Fréquence nominale secteur	50 – 60 Hz
– Tolérance	±5 % de la fréquence nominale
Consommation	59 VA
1.2.9. Conditions d'environnement	
Température ambiante	
– Valeur de référence	+23 ^o C ±1 ^o C
– Gamme nominal	+ 5 ^o C ... +40 ^o C
– Limites pour stockage et transport	-40 ^o C ... +70 ^o C
Humidité relative	
– Valeur de référence	45 ... 75 %
– Gamme nominale de fonctionnement	20 ... 80 %
Pression d'air	
– Valeur de référence	1013 mbar (= 760 mm Hg)
– Gamme nominale de fonctionnement	800 ... 1066 mbar (jusque à 2200 m d'altitude)
Vitesse d'air	
– Valeur de référence	0 ... 0,2 m/s
– Gamme nominale de fonctionnement	0 ... 0,5 m/s
Rapport de tension d'interférence	niveau d'interférence < K
Position de travail	posé sur pieds ou incliné sur poignée de transport
Temps de préchauffage	30 min.

1.2.10. Boitier

Type de protection (voir DIN 40050)	IP 20
Classe de protection (voir IEC 348)	classe I, avec conducteur de protection
Dimensions	
– Hauteur	140 mm
– Largeur	310 mm
– Profondeur	365 mm
Poids	environ 6,1 kg

1.3. ACCESSOIRES**1.3.1. Standard**

Mode d'emploi et d'entretien,
fusible 630 mA retardé

1.3.2. En option

PM 9075: câble coaxial BNC–BNC
PM 9585: résistance terminale 50 Ohm/1 W
PM 9480: câble IEC bus (long. 1 m)
PM 9481: câble IEC bus (long. 2 m)
PM 9482: câble IEC bus (long. 4 m)
PM 9483: câble adaptateur de IEC/IEEE (1 m)
Test-PROM
Brochure "digital instrument course,
part 4: IEC bus interface"

1.4. DESCRIPTION DES FONCTIONS

Le schéma-bloc synoptique est présenté à la figure 30.

A la partie supérieure sont mentionnées les liaisons entre les circuits d'entrée de données et d'affichage (Interface IEC bus, clavier de commande, visualisation) ainsi que les raccordements de contrôle et de commande du microprocesseur avec ses mémoires-programme associées.

A l'aide de l'unité d'interface clavier de commande ou de l'IEC bus les paramètres introduits sont transmis au microprocesseur.

Celui-ci fait exécuter les réglages d'état nécessaires du I/O expander (signaux statiques de contrôle).

Ainsi, en particulier, sont pilotés les groupes de circuits suivants:

- Générateur (Synthétiseur) avec:
 - Accumulator, complémenter 1 + 2, sélecteur sinus/triangle, sinus ROM
- Partie analogique avec:
 - DAC, filtre passe-bas, générateur ondes carrées, modulateur d'amplitude, registre des commutations
- Introduction de la tension continue (générateur dc)
- Réglage amplitude AC (contrôle amplitude)
- Bloc amplificateur de sortie (amplificateur de sortie, atténuateur)

Dans la partie générateur, le signal triangulaire et le signal sinusoïdal sont générés par une suite de chiffres binaires.

La conversion de ces suites de chiffres en signal analogique sinus ou triangulaire a lieu dans le DAC (convertisseur digital-analogique) en 9 bits. Le filtre passe-bas qui suit réduit les fréquences indésirables et corrige les imperfections du signal, en plus, il permet d'obtenir une position équidistante de l'onde sinusoïdale par rapport au zéro.

Au moyen de la détection du passage par zéro de l'onde sinusoïdale on obtient dans le "générateur d'ondes carrées" un signal de forme rectangulaire symétrique en temps.

De cette façon 5 fonctions sont disponibles: Sinus, rectangle, triangle, modulation d'amplitude sinusoïdale, modulation d'amplitude triangulaire.

Le signal choisi est transmis à l'amplificateur de sortie via un amplificateur de séparation (Buffer 2) et ensuite via le contrôleur d'amplitude, ce dernier est piloté en binaire (8 bits).

A l'entrée de l'amplificateur de sortie existe un point zéro virtuel du potentiel de masse. Le courant du signal choisi ainsi que le courant du générateur dc (commandé par 8 bits) circulent ensemble dans ce point zéro virtuel.

Il existe donc 3 modes de fonctionnement possibles:

Mode ac, Mode ac + dc, Mode dc.

Le signal sortant de l'amplificateur final aboutit à la douille de sortie via l'atténuateur 0/20/40 dB. Toutes les fréquences utilisées soit pour les séquences soit pour les générations de signaux sont dérivées d'un générateur horloge "clock pulse generator" dont la fréquence pilote est stabilisée par quartz.

La partie alimentation délivre +20 V et -20 V ainsi que deux tensions séparées de +5 V.

Cette séparation galvanique de l'alimentation des circuits digitaux diminue les risques de perturbations que ces circuits pourraient occasionner dans la partie analogique de l'instrument.

2. INSTALLATION

2.1. CONSIGNES DE SECURITE

A la livraison, l'appareil conforme aux consignes requises de sécurité. Pour maintenir cet état et afin d'assurer un fonctionnement sûr, il est conseillé d'observer les instructions suivantes.

2.1.1. Avant la connexion

Tension secteur

S'assurer que l'appareil soit réglé sur la tension nominale secteur.

Protection

L'appareil est protégé conformément à la catégorie I (mise à la terre) du IEC 348 ou VDE 0411. Le câble secteur livré comporte la mise à la terre.

Au dehors des locaux avec protection spéciale, la fiche secteur doit être uniquement connectée à une douille de protection à la terre.

Il est interdit d'interrompre la mise à la terre dans ou dehors de l'appareil.

2.1.2. Entretien et réparation

Défauts et efforts excessifs

Lorsque l'appareil est suspecté de n'être plus sûr, le mettre hors de service en prévenant la remise en fonctionnement.

Ce cas se présente si l'appareil

- a subi des endommagements mécaniques
- ne fonctionne plus
- est sous efforts au deçà des limites tolérables (p. ex., pendant stockage et transport)

Démontage de l'appareil

Lors de démontage des couvercles et d'autres pièces à l'aide d'outils, des parties ou des bornes parcourues de courant peuvent être exposées.

Avant de démonter l'appareil, le déconnecter de toutes sources de tension.

L'étalonnage, l'entretien et la réparation de l'appareil démonté doivent être uniquement accomplis par un spécialiste en observant les précautions nécessaires.

Après déconnexion de toutes les sources de tension, les condensateurs dans l'appareil peuvent demeurer chargés pour quelques secondes.

Fusibles

Utiliser seulement les fusibles spécifiés.

Réparation, Remplacement des pièces

La réparation doit être accomplie par un spécialiste. Veiller que la construction de l'appareil ne sera pas modifiée au détriment de la sécurité. Surtout ne pas réduire les distances de fuite superficielle, les espaces d'air et l'épaisseur de l'isolant.

Au remplacement utiliser uniquement des pièces d'origine. D'autres pièces de rechange doivent strictement satisfaire aux consignes de sécurité.

2.2. MONTAGE

L'appareil peut être utilisé dans toute position. Avec poignée rabattue, l'appareil peut être utilisé en position inclinée; à cette fin, enfoncer les boutons de la poignée. Il est recommandé de ne pas placer l'appareil sur une surface produisant de la chaleur ou en plein soleil.

2.3. MISE A LA TERRE

Avant toute mise sous tension, l'appareil doit être connecté à la terre conformément aux consignes de sécurité locales. Le câble secteur fixé à l'appareil comporte un conducteur de terrebranché sur les contacts protecteurs de la fiche. Ainsi, avec le coffret de l'appareil connecté sur une prise à contacts protecteurs, il est, par conséquent, mis à la terre.

ATTENTION: La fiche secteur ne doit être introduite que dans une prise à contact de terre. La mise à la terre ne doit pas être éliminée par l'emploi, par exemple, d'un câble prolongateur sans conducteur de terre.

Le potentiel zéro du circuit sur les contacts externes des douilles BNC est branché au coffret par l'intermédiaire d'un circuit parallèle RC. Une mise à la terre HF correcte est ainsi obtenue. Les contacts externes des douilles BNC ne doivent pas être utilisés pour brancher un conducteur de terre.

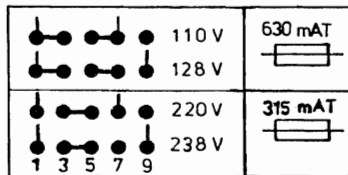
2.4. DEMONTAGE DE L'APPAREIL

- Débrancher la fiche secteur
- Placer la poignée en haut sur l'appareil; à cette fin, enfoncer les boutons de la poignée
- Desserrer la vis centrale à l'arrière de l'appareil
- Enlever le tuyau de protection du câble secteur fixé sur le boîtier
- Démontez le boîtier

2.5. BRANCHEMENT DE L'APPAREIL

L'appareil ne peut être branché que sur une alimentation en alternatif. A la livraison, l'appareil est réglé sur 220 V. Avant le branchement au secteur, s'assurer que la gamme choisie de tension secteur comporte la tension secteur locale indiquée à l'arrière de l'appareil sur une plaquette. Au cas où l'appareil doit être alimenté sur une tension différente, procéder comme suit:

- Débrancher la fiche secteur
- Démontez l'appareil, voir la para. 2.4.
- Ressouder les pontets sur le transformateur secteur selon le schéma de connexion collant; voir aussi ci-dessous:



- Insérer le fusible fourni de 630 mA, retardé, dans le porte-fusible au lieu de celui prévu
- Changer la plaquette de tension secteur à l'arrière de l'appareil conformément à la sélection. Les plaquettes sont contenues dans une enveloppe en plastique, comme la fusible fourni.
- Fermer l'appareil

Le branchement secteur doit être conforme aux consignes de sécurité locales; il implique que l'appareil soit branché sur une douille secteur avec conducteur de terre (voir le para. 2.3.).

3. MISE EN SERVICE

3.1. COMMANDES ET DOUILLES (Fig. 31 et 32)

Legende

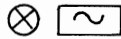
POWER

○ ON

● OFF

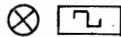
Fonction

interrupteur principal;
point blanc pour position ON

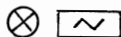


boutons-poussoirs pour choix de la forme d'onde,
indication LED de la forme choisie:

onde sinusoïdale



onde carrée



onde triangulaire



bouton-poussoir et indication LED pour le choix de la modulation
d'amplitude externe



bouton-poussoir pour préparation au réglage de la fréquence



bouton-poussoir pour sélection de la gamme de fréquence:
.001 - 999999 Hz
.000001 kHz - 2000 kHz



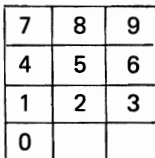
bouton-poussoir pour préparation au réglage de la tension de sortie
du signal



bouton-poussoir pour préparation du réglage dc (offset)



bouton-poussoir pour sélection de la tension dc négative ou positive

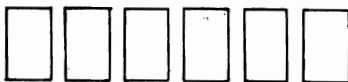


clavier de poussoirs pour introduction des données de

- fréquence,
- tension sortie ac ,
- tension dc offset



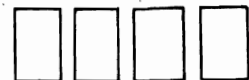
bouton-poussoir pour effacement et correction des données entrées
par clavier



Hz
kHz



VAC pp



VDC

affichage pour indication:

fréquence réglée .X.X.X.X.X

sortie tension AC .X.X.X


tension DC (Offset) .X.X.X

OUTPUT

connecteur BNC pour sortie signal

TTL OUT

connecteur BNC pour sortie signal TTL

AM EXT 
(panneau arrière)

connecteur BNC pour entrée tension de modulation externe
d'amplitude

IEC BUS
(panneau arrière)

connecteur standard 25 pôles IEC bus pour
commande à distance de l'instrument

 REMOTE

indication LED de commande à distance

3.2 OPERATION

3.2.1. Enclenchement de l'appareil

Après avoir raccordé l'appareil au réseau suivant les paragraphes 2.3 et 2.4, l'instrument sera mis en service en enfonçant la touche POWER en position ON. Lors de l'enclenchement l'instrument se trouve en état initial ce qui est défini par:

- pas de génération de fréquence
- pas de tension de sortie
- l'affichage indique 000000 Hz .000 VAC pp +.000 VDC
et mentionne la forme d'onde sinusoïdale $\otimes \sim$

ENTREE PAR LE CLAVIER

3.2.2. Sélection de la forme d'onde désirée

Les formes d'onde suivantes peuvent être choisies:

- onde sinusoïdale
- onde carrée
- onde triangulaire
et en combinaison avec les possibilités de modulation externe:
- onde sinusoïdale/AM externe
- onde triangulaire/AM externe

La forme d'onde sélectionnée est signalée par indicateurs LED's activés par les boutons-poussoirs.

Dans le cas où vous avez sélectionné précédemment le signal onde carrée, le bouton-poussoir AM EXT devient inopérant.

Si vous avez sélectionné précédemment \sim /AM EXT ou \sim /AMEXT et que vous choisissez l'onde carrée, la fonction AM EXT est mise hors circuit. La tension de modulation doit être amenée à l'appareil via la douille BNC située sur le panneau arrière.

3.2.3. Ajustage de la fréquence

Choisir la gamme de fréquence désirée au moyen du poussoir inverseur Hz/kHz, la gamme est indiquée par voyants LED's:

Hz pour la gamme .001 Hz – 999999 Hz
kHz pour la gamme .000001 kHz – 2000 kHz

Pour la forme d'onde triangulaire la limite supérieure est 99.9999 kHz.

Poussez le bouton FRQ

Le générateur est en état initial, cet état est défini comme suit:

- La partie affichage de fréquence est éteinte
- La fréquence de sortie est zéro
- L'amplitude de sortie est zéro
- La section fréquence est prête pour l'ajustage suivant manoeuvre du clavier numérique du panneau de commande.

L'entrée des chiffres à l'affichage 6 digits se fait par la gauche.

La fréquence de sortie suit immédiatement l'état de l'affichage.

Le point décimal peut être fixé à une position quelconque: .X.X.X.X.X

Si l'on fixe le point décimal après le 6^{ème} digit cela ne sera pas accepté par l'appareil.

Si vous avez fixé un point décimal et que vous introduisez un second point décimal à une autre position, seul le second point sera accepté, le premier sera effacé.

Les zéros placés après le point décimal peuvent être négligés étant donné qu'ils n'ont aucune influence sur la génération de fréquence.

Il vous reste à faire le choix de la fréquence pour les différentes positions mentionnées à l'affichage et dépendantes des entrées de données adéquates.

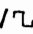
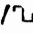
1 Hz par exemple sera introduit comme suit:

1	Hz
01	Hz
.	
000001	Hz
1.	Hz
.	
00001.	Hz
.001	kHz
.	
000.001	kHz
etc.	

Pour toute entrée ainsi introduite on obtient la même précision de fréquence.

Indication de dépassement de gamme

Si l'ajustage choisi excède la gamme ou la résolution permise l'affichage se met à clignoter.

Exemples	.0001	Hz	~ /  / ~
	2001	kHz	~ /  / ~
	100	kHz	~
	1.0001	Hz	

Effacement (RUB OUT)

Si vous avez introduit un chiffre ou un point décimal erroné il existe deux possibilités de correction:

1. Enfoncez la touche FRQ et réintroduisez l'information correcte.
2. Enfoncez la touche RUB OUT. En effectuant cette manoeuvre le dernier digit introduit est effacé. En répétant la manoeuvre vous pouvez effacer les chiffres progressivement de droite à gauche jusqu'à suppression complète.

Remarque: Le changement de gamme Hz en kHz ou vice-versa est possible sans devoir actionner la touche RUB OUT ou sans préparer l'appareil au réglage de fréquence par la touche FRQ.

3.2.4. Ajustage de la tension de sortie du signal Vac,pp Ajustage de la tension continue (d'offset) Vdc

Enfoncez le bouton AC.

Le circuit de sortie analogique du générateur est remis en état initial défini comme suit:

- La tension de sortie est égale à zéro
- L'affichage AC est éteint
- L'affichage DC indique 000
- Les points décimaux sont placés devant le premier digit tant pour ac que pour dc
- Le contrôle de l'amplitude, et la section de l'atténuateur ainsi que leurs plages d'affichage sont préparés pour accepter l'entrée d'information via le clavier numérique.

La tension maximum ac est 19.9 Vac; ainsi l'on peut introduire 2 1/2 digits. Cependant le premier digit doit être 0 ou 1.

Si vous introduisez un chiffre > 1 il se passera ceci:

- Il est placé dans l'ordre du second digit
- Le premier digit se remet automatiquement à zéro
- Le point décimal est déplacé: 0.X

Comme établi pour la génération de fréquence la tension de sortie ac répond immédiatement à la valeur affichée.

Déplacement du point décimal:

Si vous désirez déplacer le point décimal vers la droite, actionnez la touche point décimal pour déplacement à l'arrière de l'ensemble des digits, l'ancien point décimal sera effacé. Un point décimal après le troisième digit n'est pas accepté.

Changement de l'ajustage ac: sera obtenu en enfonceant une nouvelle fois le poussoir AC ou encore par actionnement de la touche RUB OUT.

L'effet obtenu par l'enfoncement de la touche RUB OUT est identique à celui obtenu par effacement de la fréquence excepté pour le point décimal: l'effacement d'un digit avec point décimal introduit par après aura pour résultat que le point décimal sera déplacé d'un rang vers la droite. De toute façon un seul point décimal est présent dans l'affichage ac.

Ajustage de la tension dc

Une tension de sortie continue peut être choisie séparément ou utilisée comme tension continue d'offset ajoutée au signal de sortie ac.

A noter: Il n'est pas possible d'ajuster la tension Vdc sans avoir précédemment ajustée la tension Vac.

Enfoncez la touche DC.

Le générateur dc se trouve à l'état initial lequel est défini comme suit:

- La tension dc est zéro
- Le premier digit affiché est à l'état 0, les deux digits à venir sont éteints
- Le point décimal est toujours fixé à la même position comme dans le cas de l'affichage ac
- Le générateur dc interne, ainsi que sa plage d'affichage, est préparé pour l'ajustage via le clavier numérique y compris le point décimal.

Deux digits peuvent être introduits. La tension dc maximum est de 9.9 Vdc, mais est limitée en fonction du réglage ac, voir chapitre ci-dessous: "indication hors de gamme".

Comme établi pour la section fréquence et ac, la tension dc du générateur est délivrée immédiatement après l'introduction des données au clavier de commande et suivant l'état de l'affichage.

Le changement de polarité de la tension dc peut être obtenu immédiatement par enfoncement de la touche +/- qui fonctionne comme inverseur alternatif; ceci peut se faire à tout moment sans devoir auparavant actionner la touche DC.

Modification du réglage dc: sera obtenue en enfonçant la touche DC ou la touche RUB OUT de la même manière que déjà mentionné pour la fréquence et la section ac.

A noter: après achèvement au clavier de commande des modifications ou corrections en ac et dc, l'ajustage ac peut uniquement être obtenu en actionnant le poussoir AC, ce qui en outre efface l'affichage de la plage ac et remet aussi l'affichage dc à l'état initial! (voir 3.2.4.)

Indication de dépassement de gamme

La tension maximum d'offset dc dépend de l'ajustage de la tension ac ceci afin de ne pas surcharger l'amplificateur de sortie:

Indication dc ≤ 100 - (indication ac)/2; les points décimaux sont ignorés. Si votre ajustage dc excède cette limitation l'affichage se met à clignoter.

Exemples:

Vac	Vdc	
	acceptable	non acceptable
10.0	05.0	05.1
19.9	00.0	00.1
19.8	00.1	00.2
00.3	09.8	09.9
1.19	0.04	0.05

3.2.5. Modulation d'amplitude


Deux formes d'onde porteuse peuvent être choisies:

- onde sinusoïdale
- onde triangulaire

La forme d'onde réelle est indiquée par voyants LED's suivant la position des boutons-poussoirs.

Si vous avez choisi le signal onde carrée, le bouton AM EXT est inopérant. Si vous avez choisi au préalable \sim / AM EXT ou \sphericalangle / AM EXT et que vous sélectionnez l'onde carrée, la fonction AM EXT sera déconnectée.

La tension de modulation doit être branchée à la douille BNC située à l'arrière de l'appareil.

 L'amplitude de la porteuse en valeur pp est 1/2 fois la tension indiquée Vac,pp.

Ainsi, lorsque vous ajustez l'amplitude de la porteuse, fixez la valeur affichée à deux fois la valeur de l'amplitude effective!

3.3. IEC BUS

3.3.1. INTRODUCTION: Système d'interface IEC bus

De plus en plus d'instruments de mesure sont actuellement utilisés dans le cas de surveillance automatique d'un processus ou de contrôle des performances, ceci au moyen de la mesure de différentes fonctions obtenues grâce à un certain nombre d'instruments déterminés.

Ces appareils doivent se comporter soit comme émetteurs de données soit comme récepteurs des informations émises suivant les fonctions désirées. La commutation du mode récepteur en mode émetteur est obtenue par un poste de commande central qui constitue le cerveau du système et est capable d'adresser les autres instruments de manière à ce qu'ils se comportent soit comme émetteurs de données soit comme récepteurs.

Pour les systèmes complexes un poste de commande spécial doit être prévu tandis que pour les petits systèmes il peut être fait usage du poste de commande incorporé dans un des instruments.

Dans tous ces cas il faut donc un dispositif d'interconnexion entre les différentes unités; ceci constitue le système interface. Afin d'assurer la communication des divers instruments entre eux, des normes internationales définissent les caractéristiques préconisées pour un tel système d'interface. Ces dernières sont exposées dans un document IEC intitulé: "Système d'interface pour appareils de mesure programmables".

Quel est le but de l'interface IEC?

Tous les appareils prévus avec l'option interface IEC bus peuvent être incorporés dans un système et ceci quelle que soit l'origine et quel que soit le constructeur des appareils.

L'utilisateur peut choisir les instruments lui convenant le mieux et les introduire dans la chaîne sans devoir se préoccuper de la conception d'un interface spécialement adapté à l'application.

Le dispositif IEC bus

Le dispositif IEC bus est un système de lignes bus équipé de 16 lignes parallèles. Huit de celles-ci sont incorporées dans le "bus données" lequel est utilisé pour le transfert des informations de mesure ainsi que pour les informations adresses et programmes. Trois lignes sont requises pour "commande de transfert info-byte" (communication directe entre un émetteur et un ou plusieurs récepteurs).

Les 5 lignes restantes sont destinées à la direction générale des messages interface (communication entre le poste de commande et les autres éléments). Le système IEC bus permet l'interconnexion d'un nombre maximum de 15 éléments, cette limitation est due à la charge maximum que le bus peut conduire. Le nombre maximum d'instruments pouvant être adressés est de 31 (5 bits pour sélection des adresses). Chaque instrument a sa propre adresse codée tandis qu'un appareil à deux fonctions possède deux adresses suivant qu'il doit fonctionner en émetteur ou en récepteur. Comme déjà mentionné plus avant, à un moment donné, seul un appareil peut être adressé comme émetteur de données mais plusieurs comme récepteurs.

Commande émission-réception

Dans un colloque bien organisé chacun prend la parole à un moment déterminé alors que les autres écoutent ce qui est éventuellement intéressant pour eux. Celui qui préside l'assemblée désigne au moment voulu celui qui devra prendre la parole. La communication dans un système d'instruments est organisée de façon similaire (mais plus sévèrement que dans un colloque!)

Le poste de commande joue le rôle du président de l'assemblée et pour assumer ce rôle convenablement il doit être lui-même orateur pendant un certain temps et auditeur pendant le reste du temps. Les autres appareils seront donc émetteurs ou récepteurs de messages suivant ce qui est décidé par le poste de contrôle.

Pour exemple:

Un DVM programmable doit être capable de recevoir l'information (pour recevoir les données du programme) et de pouvoir émettre (pour fournir les informations de mesure).

Un générateur d'impulsions peut uniquement fonctionner en récepteur, (récepteur des informations du programme).

Un lecteur de bande perforée n'est capable que d'émettre des informations.

Le poste de commande doit être capable de commander, d'émettre et de recevoir.

3.3.2. Contrôle à distance du PM 5190

Le synthétiseur BF peut être commandé à distance via l'interface IEC incorporé. Les appareils prévus avec cette option peuvent être utilisés ensemble dans un système quel que soit le type d'appareil et son constructeur. L'utilisateur peut donc choisir les instruments lui convenant le mieux pour constituer une chaîne de mesure et de contrôle automatique ceci sans devoir envisager la conception d'interfaces spéciaux.

3.3.2.1. Fonctions de l'interface

En dehors des possibilités opératoires, chaque instrument équipé du système d'interface IEC bus permet d'assigner les fonctions interface suivantes et valables pour le PM 5190:

- AH1 Accepteur de données: fonction interface qui conditionne l'appareil afin de pouvoir garantir la réception correcte de messages multilignes provenant d'un équipement situé à distance.
- L2 Récepteur de données: Fonction d'interface qui conditionne l'appareil afin d'accepter correctement les données transmises via l'interface des autres instruments.
- RL1 A distance/local: fonction interface: sans blocage local
 Cette fonction d'interface conditionne l'appareil pour effectuer le choix de deux sources d'informations; soit par le panneau de commandes (local) ou bien via l'interface et en provenance d'une commande extérieure.

"Sans blocage local" signifie que l'appareil, une fois adressé via le IEC bus, ne peut pas être commandé directement par son propre clavier de commande.

En effet, le maniement des commandes du clavier local ne sera accepté qu'après que le poste de commande à distance n'ait envoyé le signal GO TO LOCAL, voir le chapitre suivant et la table du code ASCII.

3.3.2.2. Adressage de l'instrument

Afin de coordonner toutes les fonctions raccordées à l'intérieur du circuit du système bus, chaque instrument de la chaîne doit avoir une adresse individuelle pour pouvoir être identifié. Comme il est possible d'interconnecter 15 instruments, 15 adresses peuvent être introduites. Lorsque le poste de commande principal (Master) envoie une adresse dans la ligne bus, tous les instruments compareront leur propre adresse avec celle-ci et un seul des appareils ayant l'adresse correspondante sera conditionné pour réagir.

Pour les informations d'adresses ainsi que pour les informations de programmation et de mesure, les mêmes fiches de connecteur sont utilisées comme transfert d'informations en 8 bit DIO 1 à DIO 7 lignes (Fiches 1 à 4 et 14 à 17)

Afin de pouvoir identifier la différence entre un message adresse et un message information de programme, la ligne ATN "attention" (fiche 12 du connecteur) se trouve en état LOW pour les adresses et en état HIGH pour les informations de programme.

Le code entrée/sortie du système IEC bus est conforme au code ISO 7 bit et similaire au code ASCII (voir fig. 2).

Il faut en général établir une différence entre les adresses suivant la fonction émetteur de message ou récepteur de message. Lorsque le PM 5190 est utilisé uniquement comme récepteur de message, le bit 7 doit toujours être 0, le bit 6 doit être 1.

Alors, l'adressage des systèmes IEC bus se fait par l'intermédiaire d'un "controller" transmettant une combinaison bit définie ensemble avec ATN comme adresse. Les bits 1 - 5 de cette adresse sont réglables sur l'appareil; l'équivalent décimal de cette valeur binaire se trouve sur la table, fig. 2, identifiant l'adresse de l'appareil concerné. Lorsque l'appareil est réglé à l'adresse "4" (=00100 binaire), par exemple, il réagit sur l'adresse d'appareil envoyée par un controller. Controllers, pour lesquels la signe ASCII de l'adresse "listener" doit être définie, peuvent adresser le PM 5190 par la signe ASCII "g" (listener).

L'adresse d'appareil 31 (= ASCII "?") ne peut pas être employée, car il s'agit de la commande de suppression d'adressage "unlisten".

Lors de la livraison, l'appareil PM 5190 est réglé à l'adresse 4 (les interrupteurs sont placés à 00100, voir ci-dessus). Cette adresse peut être aisément modifiée par l'applicateur à l'aide des interrupteurs qui sont accessibles à travers les ouvertures d'entrée d'air au dessous de l'appareil. Pour la disposition des interrupteurs, voir le schéma ci-dessous.

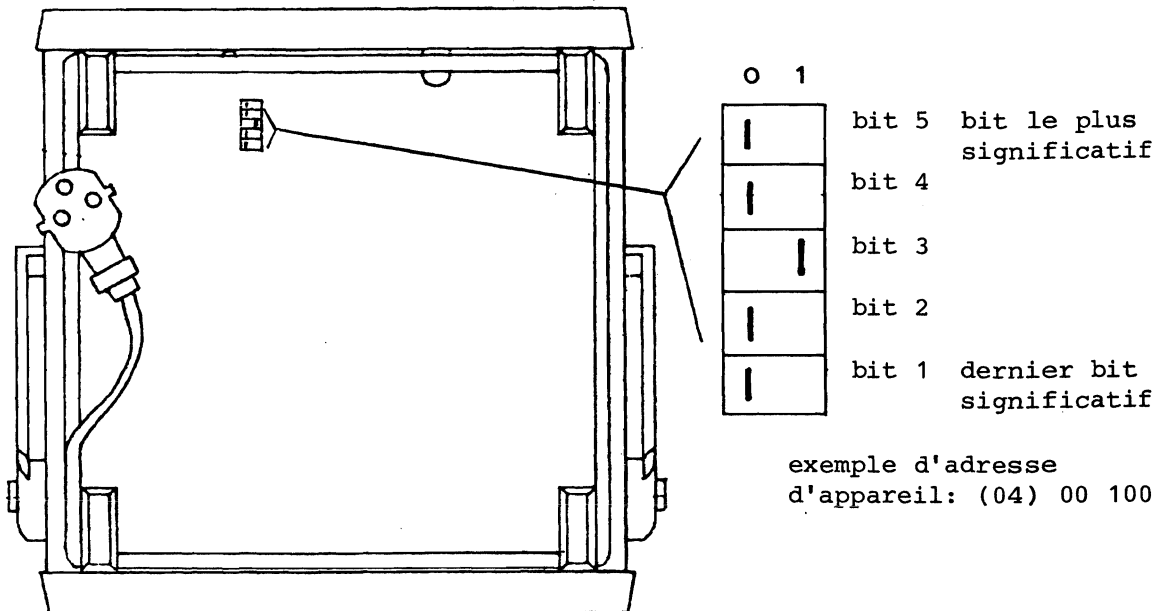


Fig. 1 Adressage de l'instrument

Lorsque l'adresse envoyée dans le système bus est identique à cette adresse interne, l'appareil réagit et change de l'état entrée d'information par son clavier de commande (Etat "local") en état entrée IEC bus (Etat "comande á distance"). L'état de commande à distance est indiqué par voyant LED situé sur la face frontale.

Dans ce mode de fonctionnement, le synthétiseur accepte les messages en provenance du système bus mais ne réagit pas aux informations qui seraient données par son propre clavier de commande, ce dernier ne redevient opérationnel qu'après que la commande "Master" ait envoyé dans la ligne bus l'information GTL (go to local) qui est le caractère 1 du code ASCII, SOH (start of heading) lequel code est interprété par l'IEC bus comme GTL.

Table ASCII

LISTENER ADDRESSES								TALKER ADDRESSES								DEVICE ADDRESSES					
ASCII CHAR	DECIMAL VALUE	DIO BUS							ASCII CHAR	DECIMAL VALUE	DIO BUS										
		8	7	6	5	4	3	2			1	8	7	6	5		4	3	2	1	
SP	32	0	0	1	0	0	0	0	0	␣	64	0	1	0	0	0	0	0	0	0	0
!	33	0	0	1	0	0	0	0	0	A	65	0	1	0	0	0	0	0	0	0	1
"	34	0	0	1	0	0	0	0	1	B	66	0	1	0	0	0	0	0	1	0	
#	35	0	0	1	0	0	0	0	1	C	67	0	1	0	0	0	0	0	1	1	
\$	36	0	0	1	0	0	0	1	0	D	68	0	1	0	0	0	0	1	0	0	
%	37	0	0	1	0	0	0	1	0	E	69	0	1	0	0	0	0	1	0	1	
&	38	0	0	1	0	0	0	1	1	F	70	0	1	0	0	0	0	1	1	0	
'	39	0	0	1	0	0	0	1	1	G	71	0	1	0	0	0	0	1	1	1	
(40	0	0	1	0	1	0	0	0	H	72	0	1	0	0	1	0	0	0	0	
)	41	0	0	1	0	1	0	0	1	I	73	0	1	0	0	1	0	0	1		9
*	42	0	0	1	0	1	0	1	0	J	74	0	1	0	0	1	0	1	0		10
+	43	0	0	1	0	1	0	1	1	K	75	0	1	0	0	1	0	1	1		11
,	44	0	0	1	0	1	1	0	0	L	76	0	1	0	0	1	1	0	0		12
-	45	0	0	1	0	1	1	0	1	M	77	0	1	0	0	1	1	0	1		13
.	46	0	0	1	0	1	1	1	0	N	78	0	1	0	0	1	1	1	0		14
/	47	0	0	1	0	1	1	1	1	O	79	0	1	0	0	1	1	1	1		15
0	48	0	0	1	1	0	0	0	0	P	80	0	1	0	1	0	0	0	0		16
1	49	0	0	1	1	0	0	0	1	Q	81	0	1	0	1	0	0	0	1		17
2	50	0	0	1	1	0	0	1	0	R	82	0	1	0	1	0	0	1	0		18
3	51	0	0	1	1	0	0	1	1	S	83	0	1	0	1	0	0	1	1		19
4	52	0	0	1	1	0	1	0	0	T	84	0	1	0	1	0	1	0	0		20
5	53	0	0	1	1	0	1	0	1	U	85	0	1	0	1	0	1	0	1		21
6	54	0	0	1	1	0	1	1	0	V	86	0	1	0	1	0	1	1	0		22
7	55	0	0	1	1	0	1	1	1	W	87	0	1	0	1	0	1	1	1		23
8	56	0	0	1	1	1	0	0	0	X	88	0	1	0	1	1	0	0	0		24
9	57	0	0	1	1	1	0	0	1	Y	89	0	1	0	1	1	0	0	1		25
:	58	0	0	1	1	1	0	1	0	Z	90	0	1	0	1	1	0	1	0		26
;	59	0	0	1	1	1	0	1	1	[91	0	1	0	1	1	0	1	1		27
<	60	0	0	1	1	1	1	0	0	\	92	0	1	0	1	1	1	0	0		28
=	61	0	0	1	1	1	1	0	1]	93	0	1	0	1	1	1	0	1		29
>	62	0	0	1	1	1	1	1	0	^	94	0	1	0	1	1	1	1	0		30
?	63	0	0	1	1	1	1	1	1	—	95	0	1	0	1	1	1	1	1		UNLISTEN UNTALK

Fig. 2 Représentation de messages d'interface multiligne en code ISO 7 bit avec la table ASCII

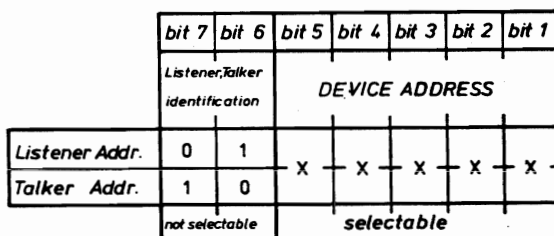


Fig. 3

3.3.2.3. Cables de raccordement pour système IEC bus

Il existe une série de câbles pour les équipements de test et mesure contrôlés par ordinateur et conformes au système d'interface IEC 625. Les câbles sont équipés à chacune de leurs extrémités de connecteurs à 25 pôles, l'un des connecteurs étant du type mâle et l'autre femelle. Les connecteurs sont montés dos à dos et chacun dans un boîtier d'aluminium qui est fixé sur le câble.

L'utilisation d'un câble équipé d'un connecteur mâle et d'un connecteur femelle permet le raccordement d'un équipement de mesure en un point quelconque de la chaîne IEC bus.

Le câble est composé de 24 conducteurs disposés dans 12 paires de 2 conducteurs torsadés.

Un adaptateur spécial est livrable pour adaptation aux équipements d'essai en norme américaine utilisant le système IEEE-488/75 bus.

4 câbles de type standard sont livrables:

- PM 9480 IEC bus, longueur 1 m
- PM 9481 IEC bus, longueur 2 m
- PM 9482 IEC bus, longueur 4 m
- PM 9483 IEC/IEEE adaptateur, longueur 1 m

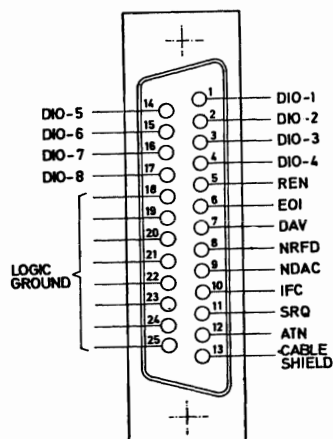


Fig. 4 Câble de connexion IEC bus

3.3.3. Exemples de programmation

3.3.3.1. Format de programme pour ajustage de fréquence

Dans les lignes 8 bit parallèles, les informations pour l'ajustage de la fréquence doivent être programmées comme suit:

1.	2.	3.	4.	5.	6.	7.	8.	9.	byte
F	X	X	.	X	X	X	X	ETX	

- F: identification de la fréquence
- Le point décimal peut être omis; placé à une position quelconque
- La valeur en fréquence est toujours exprimée en kHz
- Les espacements sont ignorés
- Il faut programmer au moins 1 digit
- S'il y a plus de 6 digits programmés, les 6 premiers sont acceptés, les autres ignorés
- D'autres caractères que les digits, points décimaux ou espacement sont acceptés mais seront interprétés de façon erronée
- ETX: Fin de message - signale la fin d'une instruction complète et ceci détermine l'exécution des données transmises.

Exemple: F 12.5 ETX signifie: Ajuster la fréquence à 12.5 kHz - exécuter

Indication hors de gamme:

Si vous avez choisi une valeur d'ajustage dépassant les gammes ou les résolutions permises l'affichage se met à clignoter, voir chapt. 3.2.3.

3.3.2. Format de programme d'information ac/dc

Les informations relatives aux réglages ac/dc doivent être programmées de la façon suivante:

1.	2.	3.	4.	5.	6.	7.	8.	9.	10.	byte
A	X	X	.	X	D	-	X	X	ETX	
valeur ac					valeur dc					

- A: Identification ac
- Pour la valeur ac 3 digits doivent être programmés; les zéros avant ou après ne doivent pas être omis.
- Le premier digit ac doit être 0 ou 1
- Le point décimal doit être placé soit devant le 1er, le 2nd ou le 3ème digit, autrement la séquence sera ignorée
- les espacements sont ignorés
- D: Identification dc, doit être programmé comme 6^{ème} byte, autrement cette séquence sera omise
- Pour les valeurs positives le signe + sera supprimé; par conséquent la série comprend uniquement 9 bytes

- Pour la valeur dc, le point décimal doit être supprimé, ceci comme déterminé pour l'ajustage ac; dans le cas contraire l'information complète sera acceptée mais interprétée de façon erronée.

Formation de programme au moyen de PET/cbm

En ce qui concerne le format pour le contrôle d'amplitude de la fréquence au moyen du calculateur PET/cbm BASIC, les formules de base pour résoudre le problème sont:

1. Additionner la valeur décimale la plus grande à la valeur de l'amplitude, les chiffres ayant la position de la valeur de l'amplitude doivent être des zéros.
2. Convertir la somme des deux valeurs en ligne de chiffres.
3. Placer le point décimal dépendant de l'amplitude A dans la différence entre les deux lignes.

Exemple:

	A = 0.35 V
Valeur décimale pour addition	100.0005
Somme de ces valeurs	100.3505
Segment de la somme en trois caractères pour contrôle du PM 5190	<u>0.35</u>

Comme on peut le constater, la génération des zéros avant et arrière est prévue lors de l'utilisation de cette méthode. La table suivante mentionne le mode de détermination de la place du point décimal dans le segment de la ligne représentant la valeur d'amplitude:

A		A + 100.0005
<.2	0.001	100.0015
	.	.
	.	.
	.	.
	0.199	100.1995
< 2.	0.2	100.2005
	.	.
	.	.
	.	.
	1.99	101.9905
> 2.	2.0	102.0005
	.	.
	.	.
	.	.
	19.9	119.9005

Ceci représente les trois possibilités de configuration dépendantes de la valeur d'amplitude A suivant que celle-ci est plus petite que .2 V, entre .2 V et 2 V ou plus grande que 2 V.

La sub-routine suivante est un exemple de programmation tel qu'il donne la méthode d'obtention d'une ligne de commande ac.

```
800 A$ = STR$(100.0005 + A)
810 FOR I = 0 TO 2
820 IF A = .2*10 I THEN 850
830 M$ = MID$(A$, 5-I, 4)
840 RETURN
850 NEXT I
```

Dans ce court programme, la variable A représente la valeur de l'amplitude. M\$ est le résultat de cet algorithme, le segment approprié utilisé pour la commande de réglage ac du PM 5190.

Exemple: PRINT 5, "A"; M\$; "DOO"; CHR\$(3)

La signification de CHR\$(3) est le symbole de commande ETX lequel doit être présent pour terminer le bloc.

La méthode de programmation exposée ci-dessus est très utile si vous devez programmer un grand nombre de valeurs d'amplitude différentes. Ceci est le cas lorsque, par exemple, vous devez programmer un balayage d'amplitude dans lequel la valeur change dans une large gamme.

Format de programme de la valeur DC

De même que pour les valeurs d'amplitude, il est absolument utile d'écrire un format de routine spécial si vous devez obtenir un grand nombre de différents DC offsets. Etant donné la nécessité de combiner les valeurs ac et dc dans la programmation du PM 5190 nous avons pensé à une routine de format de programme dans laquelle les deux valeurs sont préparées et formées, prêtes pour introduction dans le système IEC bus.

```

993 REM *****
994 REM
995 REM      AC/DC FORMATIERUNG
996 REM      -----
997 REM BEI UEBERSCHREITUNG DES MAXI-
998 REM MALEN AUSGANGSPEGELS ERFOLGT
999 REM FEHLERMELDUNG UND
1000 REM PROGRAMMSTOP
1001 REM
1005 IF A<=19.9 THEN 1030
1010 PRINT "ERROR:AMPLITUDE>19.9V"
1020 END
1030 A$=STR$(100.0005+A)
1040 FOR I=0 TO 2
1050 IF A>=.2*10↑I THEN 1080
1060 M$=MID$(A$,5-I,4)
1070 GOTO 1090
1080 NEXT I
1090 IF I=0 THEN 1120
1100 IF I=1 THEN 1150
1110 IF I=2 THEN 1180
1120 IF A/2+D<.1 THEN 1210
1125 X=.1-A/2
1130 PRINT"ERROR:DC>=";X;"V"
1140 END
1150 IF A/2+D<1 THEN 1210
1155 X=1-A/2
1160 PRINT"ERROR:DC>=";X;"V"
1170 END
1180 IF A/2+D<10 THEN 1210
1185 X=10-A/2
1190 PRINT"ERROR:DC>=";X;"V"
1200 END
1210 D$=STR$(10.00005+D/10)
1220 N$=MID$(D$,7-I,2)
1230 RETURN

```

A est la valeur d'amplitude en volts
D est la valeur du dc-offset en volts
M\$ est le format correct de la valeur d'amplitude
N\$ est le format correct de la valeur dc sans le signe

Exemple: A = 1
D = 0.5

Le résultat de la routine de formation de programme est alors:

M\$ = 1.00
N\$ = 50

Au cas où la valeur dc est trop importante vis-à-vis d'une amplitude donnée, l'amplificateur de sortie sera en surcharge, la routine de formation produira une information d'erreur et un arrêt de programme.

Exemple: A = 1.23
D = 1

L'indication d'erreur sera:

ERROR: DC = 0.38 V

La sub-routine exécute en premier lieu la partie de programme pour la valeur d'amplitude A. La valeur résultante de la variable I est utilisée dans la partie de programme suivante pour examen préalable du niveau dc en fonction du dépassement de gamme.

Si la gamme dc est dépassée, une information d'erreur est produite et le programme est interrompu, autrement le segment de ligne est préparé en utilisant la variable I d'une façon similaire à celle de la préparation de l'amplitude.

En sortant de la subroutine, on obtient exactement une ligne dc de format programmée N\$.

Informations bus

Le synthétiseur BF PM 5190 exige, comme fin de bloc de commande, le caractère ETX (= ASCII 3). En outre, chaque transfert de données entre ce poste de commande vers le générateur doit être prévu avant passage avec une instruction OPEN et après le transfert avec une instruction CLOSE.

Exemple d'une ligne de commande pour ajustage de fréquence:

```
OPEN      5,4,0
PRINT    # 5, "F1"; CHR$(3)
CLOSE    5
```

Ce court exemple vous montre de quelle façon le PM 5190 peut être commandé suivant calculateur PET/cbm BASIC. Dans ce cas, la fréquence sera ajustée à 1 khz avec le bloc "F1", à noter que lors de la commande à distance, chaque information concernant la fréquence est déclarée en kHz.

Exemple d'un bloc de contrôle amplitude/dc:

```
OPEN      5,4,0
PRINT    #5, "A"; M$; "D"; N$; CHR$(3)
```

L'amplitude et l'offset dc sont déterminées par les valeurs de M\$ et N\$.

3.3.3.3. Format de ligne (bloc) pour la forme d'onde

Pour l'ajustage de la forme d'onde, le PM 5190 exige un bloc de commande de la forme suivante:

1.	2.	3.	Byte
W	X	ETX	

- W est l'identification de la forme d'onde
- X est le paramètre de sélection de la forme d'onde

- 1 = onde sinusoidale
- 2 = onde carrée
- 3 = onde triangulaire
- 4 = onde sinusoidale/modul. d'ampl. ext.
- 5 = onde triangulaire/modul. d'ampl. ext.

- Toute introduction d'autres paramètres a pour résultat la non-exécution de la commande
- Les espacements sont ignorés
- ETX = fin de bloc (ASCII caractère 3): la réception de ce caractère démarre l'exécution de la commande

3.3.3.4. Exemple d'une instruction multiple F3.3A1.50DO5W1ETX

Cette instruction complète détermine le réglage des paramètres suivants:

fréquence = 3.3 kHz
amplitude = 1.50 V_{pp}
dc offset = +0.05 V, et forme d'onde sinusoidale

Avec le caractère ETX, le bloc sera exécuté, ce qui signifie, que tous les paramètres sont prêts dans le processeur du PM 5190 et ensuite convertis en signaux binaires, lesquels sont utilisés pour les commandes internes des unités fonctionnelles telles que accumulateur de phase, atténuateur etc...

3.3.4. Exemples d'application

3.3.4.1. Réponse en fréquence

En laboratoire et dans les départements de développement vous avez fréquemment à résoudre le problème de la mesure en grande précision de réponse en fréquence, par exemple

- 0.05 dB dans une gamme allant jusque 100 kHz ou encore
- 0.2 dB pour une gamme allant jusque 1 MHz.

La méthode conventionnelle, ajustage manuel de la fréquence et dessin à main de la courbe est un travail lent et fastidieux. Comme ce n'est pas un problème de disposer d'appareils de mesure programmables avec la précision suffisante, il n'existe aucune difficulté à réaliser un assemblage de test et contrôle pour acquisition des données et analyse automatique par exemple avec un petit calculateur de table comme le PET/cbm.

Pour cette application, nous avons utilisé le synthétiseur BF programmable PM 5190 et le voltmètre RMS digital Fluke 8920 A avec bus 1120 A, convertisseur interface, fig. 5.

Le résultat est transmis au traceur de courbe (Plotter) digital PM 8150, fig. 6.

Pendant le programme de balayage de la fréquence, toutes les valeurs de fréquence et les valeurs d'amplitudes correspondantes sont affichées sur la visualisation. Afin d'obtenir une large bande de fréquence et d'amplitude, le programme a été prévu en échelles logarithmiques tant pour la fréquence que pour les coordonnées d'amplitude.

Spécification de l'ensemble de test

Appareils:

- | | |
|---|-----------|
| 1. Synthétiseur PM 5190 | adresse 4 |
| 2. Voltmètre RMS digital Fluke 8920 A | adresse 5 |
| L'adresse secondaire dans le convertisseur | |
| 1120 A est déclenchée par fermeture des ponts | |
| à souder 1 et 6 | |
| 3. Traceur X-Y PM 8150 | adresse 6 |

Paramètres de mesure

Pour démarrer la rédaction du programme, le calculateur de table a besoin de tous les paramètres pour réaliser un cycle de mesure complet. Ceci est la liste des valeurs à introduire par le clavier du calculateur:

- | | |
|-----------------|---|
| 1. F1 (kHz) | limite inférieure de la gamme de fréquence |
| 2. F2 (kHz) | limite supérieure de la gamme de fréquence |
| 3. FO (kHz) | valeur de référence de fréquence (la valeur mesurée à ce point est réglée à 0 dB) |
| 4. n | nombre de paliers entre F1 et F2 |
| 5. A (Vpp) | amplitude de sortie du générateur |
| 6. D (V) | offset dc du générateur |
| 7. A1 (dB rel.) | limite la plus basse en dB du système à coordonnées |
| 8. A2 (dB rel.) | limite la plus haute en dB du système à coordonnées |

Explications des mesures

La gamme de fréquence entre F1 et F2 est divisée en n paliers en une échelle logarithmique.

Au démarrage du programme, la gamme de fréquence désirée est mesurée palier par palier, dans chaque palier est effectuée une mesure de voltage (Vrms), chaque valeur et fréquence correspondante sont mémorisées dans le calculateur et affichées successivement, pendant le balayage, sur la visualisation.

La seconde partie du programme effectue la calcul des valeurs d'amplitudes relatives (en dB) et imprime une table comportant les fréquences et les amplitudes relatives correspondantes. Après cela, le traceur de courbe (plotter) démarre le tracé en système de coordonnées et donne la courbe de réponse en fréquence. Le point correspondant à la fréquence de référence est marqué par un petit cercle, les valeurs A1, A2, F1 et F2 sont imprimées à côté des lignes de coordonnées correspondantes.

Les valeurs de fréquence de référence, référence d'amplitude et d'amplitude du générateur sont imprimées en dessous du système de coordonnées.

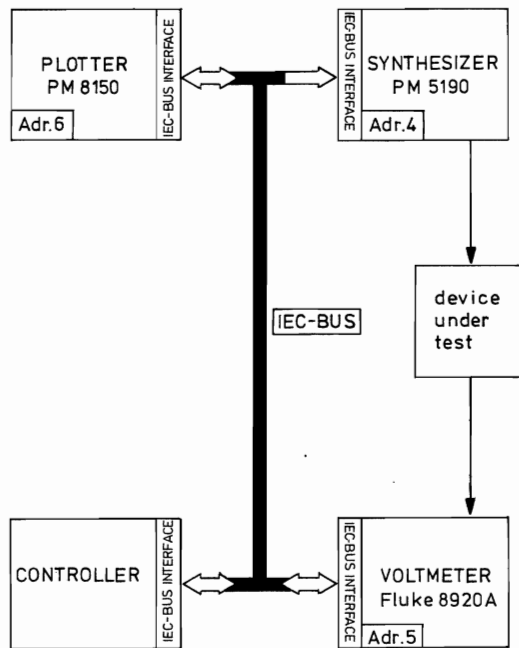


fig. 5

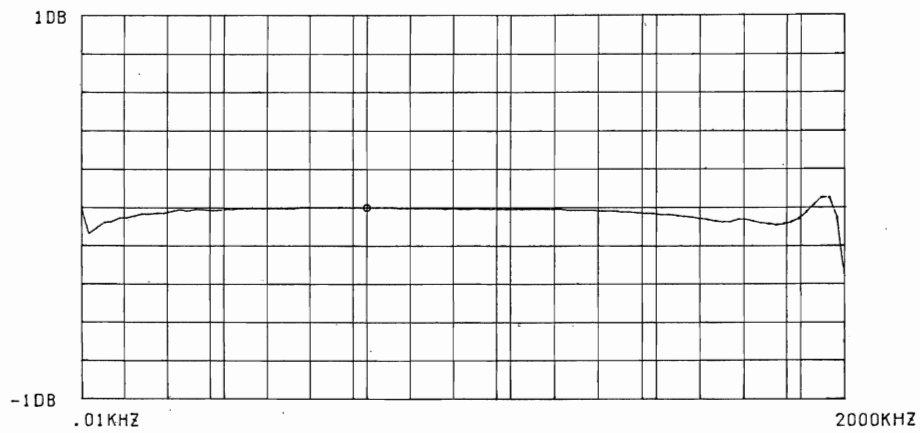


fig. 6 Référene de fréquence = 1 kHz
 Référence amplitude = 1,798 VRMS RESP. 508834 Vpp
 Amplitude générateur = 10 Vpp RESP. 5Vpp à 50 OHM

```

10 REM *****
20 REM
30 REM
100 REM ALLGEMEINES PROGRAMM ZUM
110 REM PLOTTEN VON AMPLITUDENGAENGEN
120 REM IM DOFFELT-LOGARITHMISCHEM
130 REM MASSTAB;PARAMETER:
150 REM F1,F0,F2,N,A,A1,A2
160 REM
240 REM VERWENDETE GERAETE:
250 REM VOLTMEETER FLUKE 8920A,ADDR.5
260 REM PLOTTER PM5180,ADDR.6
270 REM LF-SYNTHESIZER PM5190,ADDR.4
275 REM
280 REM *****
281 REM
282 REM FELDDIMENSIONIERUNG
283 REM
290 DIM H(101):REM H(I)=FREQ.VARIABLE
295 DIM E(101):REM E(I)=SPGS.VARIABLE
300 REM
301 REM *****
302 REM
303 REM     PARAMETER - EINGABE
304 REM
310 PRINT "J":PRINT:PRINT
315 PRINT "EINGABE DER UNTEREN FREQ.-"
320 PRINT:PRINT "GRENZE F1(KHZ)  ";
325 INPUT F1
330 REM
335 PRINT:PRINT
340 PRINT "EINGABE DER OBEREN FREQ.-"
345 PRINT:PRINT "GRENZE F2(KHZ)  ";
350 INPUT F2
355 REM
360 PRINT:PRINT
365 PRINT "EINGABE DER REFERENZ-"
370 PRINT:PRINT "FREQUENZ F0(KHZ)  ";
375 INPUT F0
376 REM
380 PRINT:PRINT
385 PRINT "EINGABE DER ANZAHL DER "
390 PRINT:PRINT "FREQUENZSCHRITTE N (<=100).";
395 INPUT N
396 REM
398 PRINT:PRINT
400 PRINT "EINGABE DER GENERATOR-"
405 PRINT:PRINT "AMPLITUDE A (<VP-P>");
410 INPUT A
411 REM
412 PRINT:PRINT
415 PRINT "EINGABE DES GENERATOR-DC-"
416 PRINT:PRINT "WERTES D  ";
420 INPUT D
425 REM
426 PRINT:PRINT
428 PRINT "EINGABE DES MINIMALEN AUS-"
430 PRINT:PRINT "GANGSPEGELS(DB REL)";
435 INPUT A1
437 REM
439 PRINT:PRINT
440 PRINT "EINGABE DES MAXIMALEN AUS-"
445 PRINT:PRINT "GANGSPEGELS(DB REL)";
450 INPUT A2
455 REM
456 REM *****
457 REM
458 REM
460 DEF FNK(X)=LOG(F2/F1)/N
470 DEFFNH(Z)=INT(1E6*F1*EXP(FNK(X)*I)+.5)/1E6
474 REM
475 REM
476 REM
480 GOSUB 1000
485 OPEN 5,4,0
490 FOR I=0 TO N
500 PRINT#5,"F";FNH(Z);"A";M$;"D";N$;CHR$(3)
530 GOSUB 900
540 LET E(I)=E
545 LET H(I)=FNH(Z)
547 PRINT H(I), E(I)
550 NEXT I
555 CLOSE 5

```



```

560 REM
565 REM AUSLESEN DER AMPLITUDE
570 REM BEI F=F0
575 REM
580 OPEN 5,4,0
590 PRINT#5,"F";F0;CHR(3)
600 CLOSE 5
610 GOSUB 900
620 E<101>=E
650 GOTO 1580:REM --> -->
850 REM
855 REM *****
860 REM
865 REM AUSLESEN DES MESSWERTES VOM
870 REM FLUKE VOLT METER 6920 A
875 REM IEC-ADRESSE = 5
880 REM MESSWERT = 'E'
885 REM
890 REM
900 OPEN 1,5,1
910 INPUT#1,E$
920 IF ST<>0 THEN 910
930 E=VAL(E$)
940 B=E
950 INPUT#1,D$
960 IF ST<>0 THEN 950
965 E=VAL(D$)
970 P=E-B
980 IF ABS(P)>.0005*B THEN 940
990 CLOSE 1
991 RETURN
993 REM *****
994 REM
995 REM AC/DC FORMATIERUNG
996 REM -----
997 REM BEI UEBERSCHREITUNG DES MAXI-
998 REM MALEN AUSGANGSPEGELS ERFOLGT
999 REM FEHLERMELDUNG UND
1000 REM PROGRAMMSTOP
1001 REM
1005 IF AC=19.9 THEN 1030
1010 PRINT "ERROR:AMPLITUDE>19.9V"
1020 ENB
1030 A$=STR$(100.0005+A)
1040 FOR I=0 TO 2
1050 IF A>=.2*10I THEN 1080
1060 M$=MID$(A$,5-I,4)
1070 GOTO 1090
1080 NEXT I
1090 IF I=0 THEN 1120
1100 IF I=1 THEN 1150
1110 IF I=2 THEN 1180
1120 IF A/2+DK.1 THEN 1210
1125 X=.1-A/2
1130 PRINT"ERROR:DC>=";X;"V"
1140 END
1150 IF A/2+DK1 THEN 1210
1155 X=1-A/2
1160 PRINT"ERROR:DC>=";X;"V"
1170 END
1180 IF A/2+DK10 THEN 1210
1185 X=10-A/2
1190 PRINT"ERROR:DC>=";X;"V"
1200 END
1210 D$=STR$(10.00005+D/10)
1220 N$=MID$(D$,7-I,2)
1230 RETURN
1240 END
1500 REM *****
1510 REM
1520 REM FORTSETZUNG DES HAUPTPROGR.
1530 REM DARSTELLUNG DER MESSWERTE
1540 REM AUF DISPLAY.
1550 REM
1560 FOR I=1 TO N
1563 G$=STR$(H(I))
1566 L$=LEFT$(G$,8)
1567 W=INT(2E5*LOG(E(I)/E(101))/LOG(10))/1E4
1590 PRINT L$;"KHZ",W;"DB"
1600 NEXT I
1610 REM
1630 REM
2900 REM *****

```

```

2910 REM
2920 REM ZEICHNEN DES KOORDINATEN-
2930 REM RASTERS AUF PLOTTER PMS150
2940 REM
2950 REM IEC-ADRESSE = 6
2960 REM
3000 OPEN 3,6,0
3010 DIM Q(4)
3020 PRINT#3,"M 1300,1000";CHR$(3);"E 0,1000";CHR$(3)
3025 PRINT#3,"E 2000,0,0,-1000,-2000,0";CHR$(3);"0 0,0";CHR$(3)
3040 Q(1)=1
3050 Q(2)=2
3060 Q(3)=4
3070 Q(4)=8
3080 DEF FNL(X)=B*Q(I)
3090 DEF FNR(X)=INT(2000*LOG(FNL(X))/LOG(F2/F1))+1300
3100 B=.1
3110 B=10*B
3120 FOR I=1 TO 4
3130 IF FNL(X)>=F2/F1 THEN 3170
3140 PRINT#3,"M";STR$(FNR(X));", ";"1000";CHR$(3)
3142 PRINT#3,"E 0,1000";CHR$(3)
3145 PRINT#3,"0 0,0";CHR$(3)
3150 NEXT I
3160 GOTO 3110
3165 REM
3170 DEF FNS(X)=1000+I*100
3180 FOR I=1 TO 9
3190 PRINT#3,"M";STR$(1300);", ";STR$(FNS(X));CHR$(3)
3200 PRINT#3,"E 2000,0";CHR$(3)
3210 NEXT I
3220 PRINT#3,"0 0,0";CHR$(3)
3310 DEF FNK(X)=INT(1300+LOG(H(I)/F1)*2000/LOG(F2/F1))
3320 DEFFNZ(X)=2000-A2*1000/(A2-A1)+20*LOG(E(I)/E(101))*1000/((A2-A1)*LOG(10))
3325 DEF FNY(X)=INT(FNZ(X))
3330 REM
3331 REM *****
3332 REM
3333 REM ZEICHNEN DES AMPLITUDENGANGES
3335 REM
3340 I=0
3350 PRINT#3,"M";STR$(FNK(X));", ";STR$(FNY(X));CHR$(3)
3360 FOR I=1 TO N
3370 PRINT#3,"D";STR$(FNK(X));", ";STR$(FNY(X));CHR$(3)
3371 FOR G=1 TO 5
3372 L=LOG(G+125)
3373 NEXT G
3375 NEXT I
3376 REM BESCHRIFTUNG DER AXSEN UND
3377 REM AUSGABE VON REF.-FREQ. UND
3378 REM REF.-AMPLITUDE
3379 REM
3380 PRINT#3,"0 0,0";CHR$(3)
3390 H(101)=F0
3400 I=101
3410 PRINT#3,"M";STR$(FNK(X));", ";STR$(FNY(X));CHR$(3)
3420 PRINT#3,"N";STR$(5);CHR$(3)
3430 PRINT#3,"M 1120,900";CHR$(3)
3440 PRINT#3,"P";STR$(A1);"DB";CHR$(3)
3450 PRINT#3,"M 1120,1900";CHR$(3)
3460 PRINT#3,"P";STR$(A2);"DB";CHR$(3)
3470 PRINT#3,"M 1250,930";CHR$(3)
3480 PRINT#3,"P";STR$(F1);"KHZ";CHR$(3)
3490 PRINT#3,"M 3250,930";CHR$(3)
3500 PRINT#3,"P";STR$(F2);"KHZ";CHR$(3)
3510 PRINT#3,"M 1300,800";CHR$(3)
3520 PRINT#3,"P REFERENZFREQUENZ=";STR$(F0);"KHZ";CHR$(3)
3530 PRINT#3,"M 1300,700";CHR$(3)
3540 PRINT#3,"P REFERENZAMPLITUDE=";STR$(E(101));"VRMS";CHR$(3)
3541 PRINT#3,"P ENTSPR.";STR$(2.83*E(101));"VP-P";CHR$(3)
3542 PRINT#3,"M 1300,600";CHR$(3)
3544 PRINT#3,"P GENERATORAMPLITUDE =";STR$(A);"VP-P";CHR$(3)
3546 PRINT#3,"P ENTSPR.";STR$(A/2);"VP-P AN 50 OHM";CHR$(3)
3550 PRINT#3,"0 0,0";CHR$(3)
3560 PRINT#3,"H";CHR$(3)
3570 CLOSE 3
3580 END
3590 REM
3600 REM
3610 REM *****

```

3.3.4.2. PM 5190 en combinaison avec instrumentation de commande PM 4410

Une instrumentation de base du système IEC bus peut être constituée en connectant ensemble le PM 5190 et le poste de contrôle PM 4410 et en ajoutant également un haut-parleur.

Bien que cet exemple ne va pas rencontrer votre intérêt professionnel, plus orienté vers des applications industrielles plus sophistiquées (voir chap. 3.3.4.1.) prenez-le néanmoins en considération comme exemple d'introduction à la commande de l'instrument par le système IEC bus.

La mélodie de la chanson populaire germano-française "Heissa Kathreinerle, schnür mir die Schuh' . . ." a été codée et mémorisée sur disque mini floppy, introduite dans la mémoire du PM 4410 via le lecteur interne de disque mini floppy et transmise au synthétiseur via la ligne IEC bus.

Nous devons nous excuser auprès des musiciens qui sont parmi nous d'avoir été incapables d'introduire dans le programme la qualité musicale des sons et aussi pour ne pas avoir pu respecter l'expression de réalité humaine du chant folklorique.

Cependant, avec la collaboration de notre département professionnel audio il y aurait une application plaisante à faire pour résoudre également ce problème.

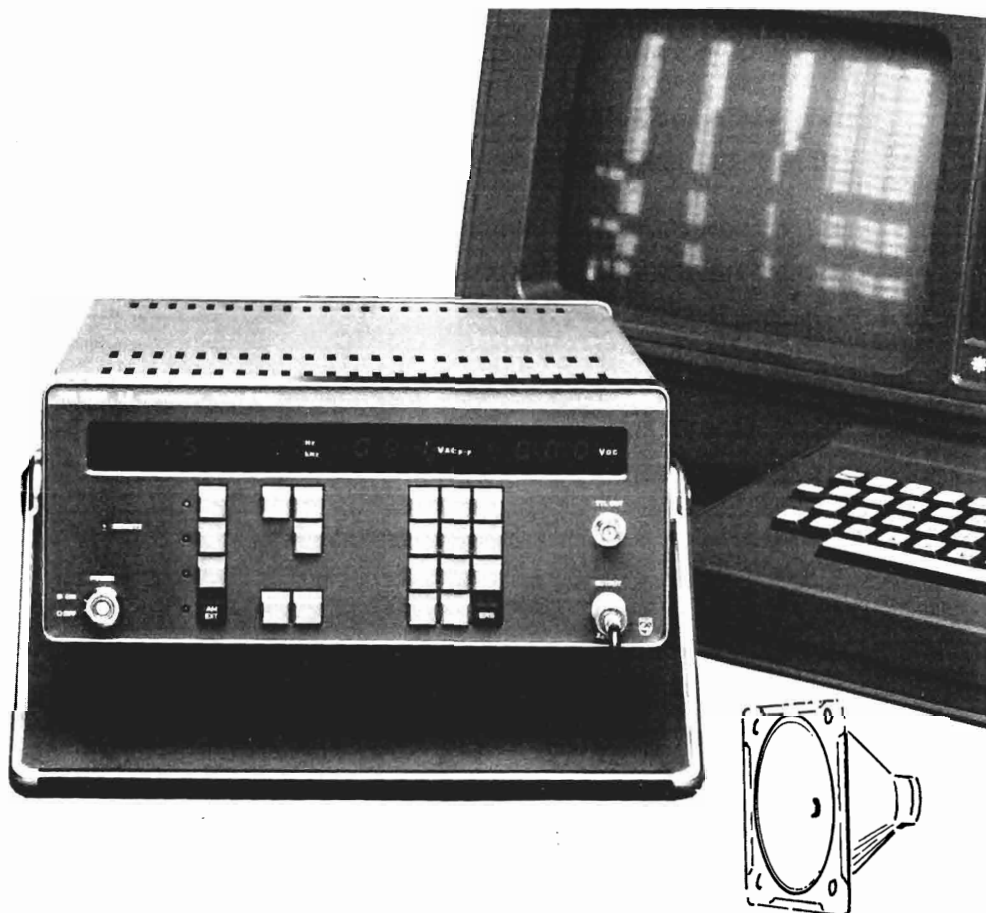


Fig. 7 Ensemble d'instrumentation IEC bus
 — PM 4410 instrumentation de contrôle
 — PM 5190 Synthétiseur BF
 — Haut-parleur

Heiße, Kathreinele

1. Hei - ßa, Ka - threi - ne - le,
schürz dir dein Röck - ke - ie,
schnür dir die Schuh,
gönn dir kein Ruh!
Di - del du - del da - del, schrumm schrumm schrumm,
geht schon der Hop - ser um. Hei - ßa, Ka -
threi - ne - le, frisch im mer - zu!

Fig.8 Melody of the folk-song

```

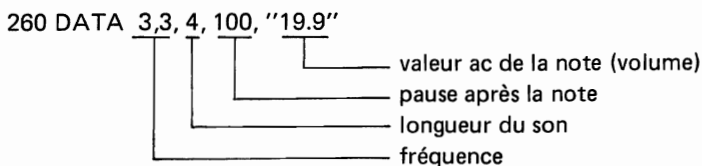
1 PRINT #G:"A.001D00"
2 END
100 INIT
105 LET G=4
106 PRINT #G:"W3A.001D00"
110 DIM F(12,6)
120 LET FO=55
130 FOR I=1 TO 6
140 FOR J=1 TO 12
150 LET C=12*(I-1)+J
160 LET F(J,I)=INT(FO*2**((C+2)/12)*100+.5)/1E5
170 NEXT J
180 NEXT I
210 READ X,Y,Z,Z1,A$
220 IF X=0 THEN 250
225 PRINT #G:"F";F(X,Y+2);"A";A$;"D00"
230 DELAY INT(15/Z+.5)
235 IF Z1=0 THEN 210
236 PRINT #G:"A.001D00"
237 DELAY INT(15/Z1+.5)
240 GOTO 210
250 PRINT #G:"A.001D00"
255 DELAY 5
256 RESTORE
257 GOTO 210
260 DATA 3,3,4,100,"19.9",10,2,4,100,"19.9",10,2,4,100,"19.9",10,2,2,7,10,"19.9"
270 DATA 8,2,8,100,"19.9",7,2,4,100,"19.9",8,2,4,100,"19.9",7,2,4,100,"19.9"
280 DATA 5,2,4,100,"19.9",7,2,2,4,"19.9"
290 DATA 3,3,4,100,"19.9",10,2,4,100,"19.9",10,2,4,100,"19.9",10,2,4,100,"19.9"
300 DATA 8,2,8,100,"19.9",7,2,4,100,"19.9",8,2,4,100,"19.9",7,2,4,100,"19.9"
310 DATA 5,2,4,100,"19.9",3,2,2,4,"19.9"
320 DATA 2,2,8,100,"19.9",2,2,8,100,"19.9",5,2,8,100,"19.9",5,2,8,100,"19.9"
330 DATA 2,2,8,100,"19.9",2,2,8,100,"19.9",3,2,4,100,"19.9",10,2,4,100,"19.9"
340 DATA 10,2,4,100,"19.9",2,2,4,100,"19.9",5,2,4,100,"19.9",2,2,4,100,"19.9"
350 DATA 3,2,4,100,"19.9",10,2,4,100,"19.9",10,2,4,100,"19.9",3,3,4,100,"19.9"
360 DATA 10,2,4,100,"19.9",10,2,4,100,"19.9",10,2,2,7,100,"19.9",8,2,8,100
370 DATA "10.9"
380 DATA 7,2,4,100,"19.9",8,2,4,100,"19.9",7,2,4,100,"19.9",5,2,4,100,"19.9"
390 DATA 3,2,2,100,"19.9"
9999 DATA 0,0,0,0," "
:EOS

```

Fig.9 Programmed melody of the song, PM 4410 input

Ce programme est converti par le PM 4410 en instructions pour le système IEC bus. Laissez-nous vous expliquer quelques instructions:

La première note de notre mélodie: soit  (Ré)



1. **3,3** Fréquence de la note: "Ré" ("d")

Le premier digit représente le 3^{ème} ton dans un octave de 12 demi-tons (X dans le programme) démarrant avec le "do".

L'incrément de fréquence est de valeur $\sqrt[12]{2}$ lequel est programmé dans le PM 4410. Le second digit représente l'octave; 6 octaves sont disponibles pour la gamme de mélodie Y:

- 1 – Contre-basse "Whisky sound"
- 2 – Basse
- 3 – Bariton
- 4 – Ténor/Alto
- 5 – Soprano
- 6 – Sopranino

Pour la transposition de la mélodie dans les différents octaves voir ligne 225: 225 . . . F (X, Y + 2) . . .

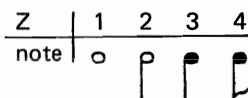
Y + 2 signifie que toutes les notes auront un ton supérieur de 2 octaves à celui écrit dans le programme. Ainsi le premier ton sera donné dans le 3 + 2 = 5^{ème} octave.

En ce qui concerne la fréquence voir les lignes 130 à 150: 1,1 représente la note la plus basse de 55 Hz, voir ligne 120 LET FO=55.

2. Longueur du son, 3^{ème} information, Z

Voir ligne 230 DELAY INTEGER (15/Z +.5)

Z = 1 représente une note complète de 1,5 sec, ainsi
Z = 4 : $15/4 \hat{=} 1/4$ de note, approximativement 0,4 sec.



La rapidité du chant est deux fois la rapidité codée.

3. Intervalle après le ton, 4^{ème} information, Z1, voir ligne 237

100 représente un intervalle de 1/100 de la note complète.

4. Valeur ac (volume du son): 19.9 Vac

Pendant d'intervalle le volume est "A.001" $\hat{=} 1$ mVac.

La valeur dc est toujours fixée à D00 $\hat{=} 0$ mV.

Si nous envisageons le futur, pourquoi ne pas imaginer un certain nombre d'instruments de ce type en addition avec une instrumentation utilisant les techniques multiplex et audio de façon à obtenir

"La neuvième symphonie de Beethoven en système IEC bus".

Service part

4. C I R C U I T D E S C R I P T I O N

4.1. OSCILLATOR (fig.45)

The crystal oscillator is designed as a capacitive Hartley oscillator circuit (clapp oscillator) and is compensated with the aid of temperature coefficients of the capacities 500, 504 and 505 in such a manner, that it complies with the specification (see technical data).

The microprocessor (8035) and also the IEC bus interface component (HEF4738) and the keyboard/display interface component (8279) are fed by the frequencies $f_0/2$ and $f_0/5$ as clock frequency. The master frequency of $f_0 = 2^{33} \cdot 10^{-3}$ Hz is determined by the frequency synthesis.

4.2. IEC BUS INTERFACE (fig.45)

The 25 pin IEC bus connector is the mechanical connection to an IEC bus system. The electric connected load values corresponding to the system are arrived at by the bus-drivers 345, 346, 347, 348 (MC3441P).

On account of the "listener only function" of the PM 5190, the wiring of the interface component is easily accomplished. The listener address is set with the 5 switches 802 - 806. This address is read in, in parallel after being called via the output pin 10 (ored = output ready has + 5 V) into the shift register 351, and is read out serially with the clock frequency (ored has 0 V). The gate 329/pin 13 operates as delay element to comply with the time conditions given by the interface component.

The soldering joint C is closed in its delivery condition. This causes the automatic local position of the PM 5190 to be achieved when the line REN (remote enable, pin 5 IEC bus socket) is interrupted. When the soldering joint B is closed, an apparatus which has been addressed once also stays in the remote condition after the connection to the IEC bus has been interrupted. This state of the apparatus can only be altered via a bus-command (go to local) or by switching off the apparatus.

Internal and external bus of the apparatus must be separated by AND-gates which can be activated to ensure that the internal data flow is not interfered with. A direct connection of both bus systems is effected for acceptance of parameter settings by the microprocessor with the control signals dvd (data valid) and \overline{RD} (read data) via the tristate gates 328, 329 (dvd and \overline{RD} : high). The interface circuit for realizing the priority between the IEC bus input and the keyboard parameter setting is set up with the aid of the gates 342/pin 1,2,3; pin 4,5,6 and 341/pin 1,2,3; pin 4,5,6.

4.3. CONTROL CIRCUIT (fig.45)

The central control circuit is formed by the 3 components 332, 334, 333 (microprocessor 8035, program memory B2716, latch component HEF4508). In delivery condition, the soldering joint E is closed (memory extern). When a microprocessor is used with a built-in 2k x 8 bit memory (e.g. 8049, 8749), the components 333, 334 are eliminated and the soldering joint D must be closed.

The clock frequency of the 8035 ($f_0/2$) is derived from the master frequency $f_0 = 2^{33} \cdot 10^{-3}$ Hz. Complementary signals must be offered to the microprocessor at clock frequencies > 1 MHz and separate clock frequency generation at its inputs X-tal 1 and X-tal 2. This phase shift of the clock frequency by 180° is effected with the gates 327/pin 1,2,3, pin 4,5,6.

The components actively engaged in data handling (8035, HEF4738, 8279) must possess a definitive starting condition after the PM 5190 is switched on. Each of the components mentioned has its own reset circuit.

HEF4738	:	401, 518, 615, 350	/ U2
8279	:	690, 520	/ U4
8035	:	550, 630	/ U2

The time constants are matched with each other so that the microprocessor can work on functionable components after being reset.

4.4. KEYBOARD AND DISPLAY (figs.40, 41)

The central circuit device is the microprocessor controlled component B8279 (pos.301). This keyboard/display interface component produces the scan signals SCO - SC7 for inquiring the keyboard matrix and for triggering the 7 segment displays (multiplex procedure). The decimal point in the display fields and the Hz, kHz-LED's, and also the operation indication-LED's: REMOTE, \sim , \sim , AM, are triggered directly via the port-outputs of the microprocessor and the transistors 380 - 388 and also the gates 304.

Sufficient illumination of the 7-segment display fields is achieved by a medium segment current of 80 mA (during 1/15 scan period). A limitation to a maximum current of 100 mA is effected by the resistors 619 - 625.

For recognition of fed-in parameter values being out of range the respective display field blinks with about 1 Hz. This blinking frequency is produced by the timer component 307 and is connected to the 7 segment decoder (308, pin 4) by the interface component via the gate 306/11,12,13. Recognition of out of range operation is effected in the program of the microprocessor, which then sets the 5th bit (output A_0) in the display-RAM of 8279 to "high" and feeds the blinking frequency via 306, pin 13.

4.5. DIGITAL SIGNAL SYNTHESIS (figs.10, 45)

The block diagram for producing a binary sequence of numbers which corresponds to a sine or triangle signal, is depicted in fig.10, see overleaf.

The phase accumulator generates a 10 bit output sequence of numbers. The 9th bit denoted QUADR. is only used in the 1st complemeter to produce a continuous sequence of numbers (sine/triangle-half-wave sequence). This sequence of numbers is inverted half-periodically with the MSB in the complemeter 2. The correct signal is then available as a 9-bit number sequence at the input of the DAC. The amplitude resolution is 2^9 , the phase quantization of a signal period is dependent upon the chosen frequency.

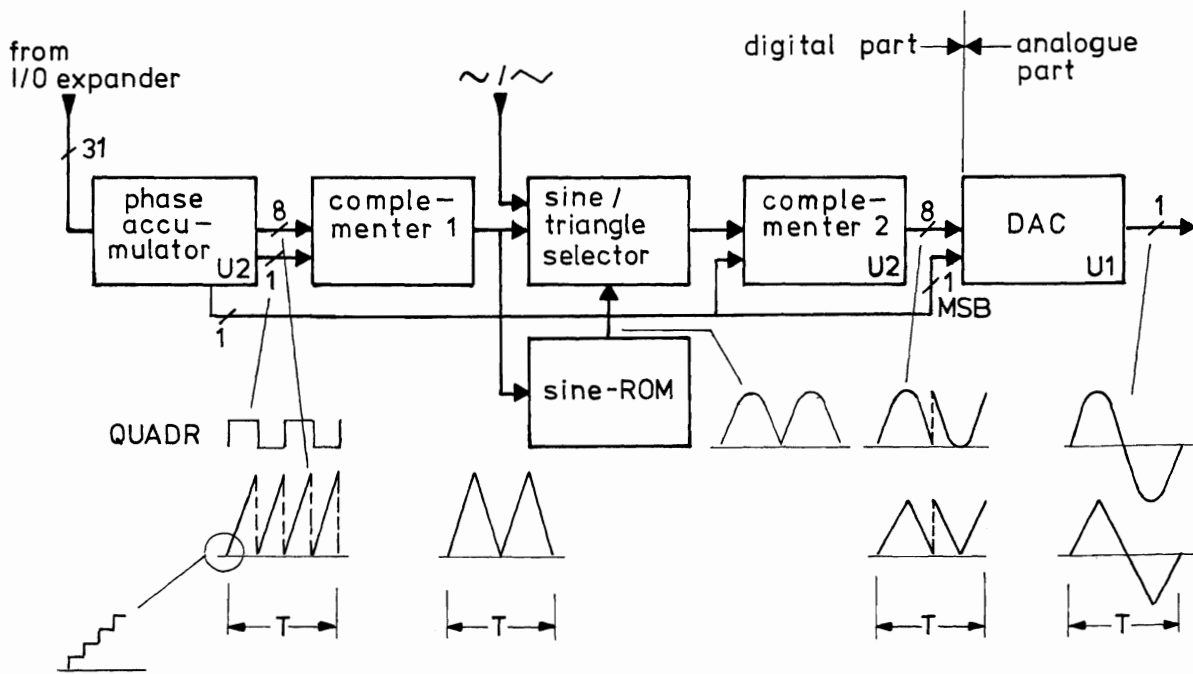


Fig.10: PM 5190, principle of signal generation (digital signal synthesis)

The phase quantization 2^{10} is below the characteristic frequency f_{cH} (see fig.11); when the frequency of f_{cH} rises, the quantization becomes continuously smaller (up to ≈ 4.3 at 2 MHz)..

4.5.1. Phase accumulator

The circuitry delivers a 10 bit number sequence. The exact explanation of the principle of the phase accumulation can be referred in ref.3. Fig.11 shows the most important characteristic values of the actual phase accumulator.

The phase accumulator consists of the full adders 352 - 359, the D-flip-flops 360 - 365, and the JK-flip-flop 369. After the lowest four adders the transfer is delayed by one cycle. This delay is necessary, because the delay time of the transfer comes near to the value of the cycle period, making faulty acceptance conditions in the D-flip-flop possible (Σ transfer delay time < cycle period). This delay of transfer by one clock cycle means:

- for a frequency adjustment of $f < f_0 = 65636$ Hz (increment adjustment $\delta < 2^{16}$) only the carry over (pin 9/pos.356) which governs the output signal is delayed by one cycle. Thus the output signal is shifted exactly by one cycle period as compared to a defined starting time.

- for a frequency adjustment of $f \geq f_0$ an addition ensues of a delayed carry to an increment addition which is not delayed. As the transfer is present in equidistant time sequences - as with no delay - the periodicity of the levels of the generated number sequence is not altered in any way (10 bit output number), and the same applies to the signal. The interference spectrum caused by the quantification of phase and amplitude is explained in ref.6.

The phase quantification causes a phase fault $\Delta\varphi_{max.}$, which is independent of the amount of employed phase restart points and is only dependent on the amount of possible restart points: $\Delta\varphi = 2\pi / 1024$. From this, a jitter amplitude of

$$\frac{A_j}{A_0} = \frac{\Delta\varphi_{max}}{2\pi} = \frac{1}{1024} < 0.1\%$$

results for the utilized phase accumulator principle (see ref.11).

4.5.2. Complementer 1, sine/triangle selector, complementer 2

The accumulator output bits 1-9 are transformed to a triangle number sequence in complementer 1. Both complementers are designed with exclusive-OR gates. The signal processing takes place synchronously (cycled D-flip-flops). The generated triangle number sequence is fed to a "SIN-ROM" as an address, the output values (=sine) of which are fed simultaneously with the triangle number sequence to a function-selector (pos.382, 383).

The "SIN-ROM" is a quarter-sine period as number-value table (256 x 8 bit).

The chosen sine or triangle number sequence is fed synchronized to the complementer 2 (pos. 379, 380).

The finished number sequence is available at the output of pos.375, 376 and 370 pin 15. The MSB signal (10th bit) is sent to the transit time compensator in the D-flip-flop pos.370 over exactly as many synchronization steps, as the remaining bits have cycled. In spite of being synchronized, existent time differences can trigger glitches in the switching-edge in the DAC. The critical point is the signal zero crossing because then all bits alter their condition. To minimize and balance non-compensatable zero glitches, the cycle-retarding sections 671, 672 and also 528 and 529 may be altered.

4.6. DIGITAL TO ANALOG CONVERTER

The DAC (fig.43) corresponds is a fast DAC (25 μ s) with high output amplitude (12 V_{ss}), designed with discrete components.

As the 9 bit digital signal is lead via a connecting cable from U2 to U1, a refreshing has to take place. The digital signal of U2 is regenerated by the gates 380, 381, 382 on U1, and furthermore the U2 interference level is cut off.

In the apparatus, the DAC has a metalized screening sheet to minimize pick-up of interference signals.

The "deglitching" is achieved by altering the switching instant of the transistors pos. 302 - 310 with the trimming potentiometer pos.602.

4.7. LOW-PASS FILTER

The output signal of the DAC passes a low-pass filter (fig.13) for cutting off the spectral interference components above the useful frequency. This filter is a Butterworth filter of the 5th order, which is terminated on both input and output sides. The basis for its dimensions is the calculation shown in ref.5. The slight correction of the capacitors to the values of the series E 24 leads to the transmission curve in fig.12. The amplitude decreasing at 2 MHz, which is recognizable from the theory, is compensated by the derivative action element between filter and amplifier.

4.8. SQUARE WAVE GENERATOR (fig.43)

The useful signal is coupled out at the output of the low-pass filter via 2 buffer amplifiers (pos.331, 332) to the AM-modulator and also directly to the amplitude pre-amplifier. The buffer amplifier to the square-wave-former suppresses reactions of the high speed differential comparator NE 521 (pos.361) on the input signal.

The low-pass (LP) pos.610 and 586 reduces the interference spikes present within the signal. This is specially important for eliminating interference (of NE 521) at slow frequencies - then multiple impulses appear in the neighbourhood of the switching point. The LP limit frequency ($f_{3dB} = 150$ kHz) is chosen so that at 2 MHz (≈ -23 dB signal amplitude against U_{pp} at 10 kHz) the symmetric fault (caused by hysteresis) stays within the given tolerance. The hysteresis of NE 521 is - at about 3 mV - smaller than the smallest amplitude increment (20 mV). To avoid small interferences (< 20 mV), the hysteresis is increased to 40 mV with the aid of a regenerative resistance (562 kOhm). Adjusting the switching level of the NE 521 is carried out by the potentiometer pos.701 (square symmetry).

The generated square signal is transmitted via power gates to the TTL output and to the square-wave decoupling-amplifier. The TTL output is protected against short-circuit to signal ground and +5 V by a 10 Ohm series resistor.

4.9. SQUARE WAVE PRE-AMPLIFIER (fig.43)

With the aid of the pre-amplifier the square wave signal (0..+5 V) which is on the TTL level is cut off from the underlying dc (pos.713 dc-offset) and adjusted to an amplitude of 12 Vpp (pos.708). The square wave signal can be switched to the signal output line via the decoupling stage pos.337, 338; this occurs via relay pos.865 and 861. With adjusted sine, triangle, or AM signal, the lead to the square-wave pre-amplifier is connected to frame with a decoupling capacitor (pos.587) via the relay pos.864, to eliminate capacitive coupling-in of the steep edges of the square wave signal. The control of the chosen wave form occurs with the relays which are set to 0V via the I/O port pos.378 and the buffer 365 from the control device.

4.10. AMPLITUDE MODULATION (fig.43)

The amplitude modulation is effected in the balanced modulator IC-component MC1496. The \sim respectively the \sim carrier signal is fed AC-coupled to the input pin 8, the external modulation signal is present dc-coupled at the input pin 1 (input-amplifier pos.360, 716, 717). The maximum amplitude of the carrier frequency is obtained at $m = 100\%$ and must not be larger than the maximum amplitude at the normal operation mode; this means a reduction of the carrier amplitude to half the value ($V_{ac}/2$) for AM operation and $m = 0\%$. The exact value $V_{ac}/2$ is adjusted with the potentiometer 729. The coupling out of the signal takes place symmetrically at pins 6 and 12 with the difference carrier pos.339, 340. The necessary adjustment of the dc-offset is effected by varying the current source pos.341 with pos.738.

4.11. BUFFER AMPLIFIER, AMPLITUDE CONTROL, COMPENSATION (fig.43)

The amplitude of the chosen signal is high-ohmically coupled with the transistor 343 and is present low-ohmically at the emitter of the transistor 342. The wiring of the transistors 342, 344, 345 is a "white" emitter circuit, which shows a specially small distortion of the useful signal when load current alterations and a low output impedance occur. The O-symmetry is balanced with the dc-balance adjuster 750.

This available low-ohmic signal voltage is converted with C-compensated resistors to a current. The currents through the three greatest resistors (768 - 774) are overcompensated by built-in circuit capacities and are corrected by the phase compensation circuit ($V \approx -1/5$) pos.346, 347 and aligned with pos.558.

On account of the line-up of 8 dual-stepped current controlling resistors there are $(2^8 - 1) = 255$ different possibilities of combination. The maximum resolution of the displays is "1" of "199", so that the possible combinations are not all used. The necessary control of the relays is effected by the processor via I/O ports.

4.12. DC GENERATOR

The control of the dc-generator occurs via the microprocessor I/O expander lines, by which the dynamically transmitted data are stored in the I/O-port pos.377. The statically present control data are fed to the 10 bit DAC (AD7530) via further latch-components for decoupling (pos.371, 372). But in the present circuit only 8 bits are active (2 bits are inhibited).

The AD7530 operates in its basic application circuit with the decoupling-amplifier 384 and the successive OP-follower which then feeds current to the output amplifier via the resistors 715, 792.

The reference voltage of ± 10 V needed for the DA-converter at pin 15 is generated by the circuit pos.368, 383 and 369. The inverting summing amplifier 369 receives positive current via the resistor 784 and additionally a negative current for the dc-polarity. The exact adjustment of the "+" reference voltage occurs with 779; the "-" reference voltage with pos. 849.

4.13. OUTPUT AMPLIFIER, ATTENUATOR

The configuration of the circuit corresponds to the output amplifier built into the generators PM 5167/5127 with slight modifications; the new generator family PM 5131 etc. gets this output amplifier too.

The diodes D1, D2 operate as overload protection at maximum square-wave amplitude or maximum dc-offset and short circuit at the output. The attenuator (0, 20, 40 dB) is wired via reed-relays, which are set via gates and I/O-ports by the microprocessor. The capacitor 595 which is situated at the output, suppresses interference signals which are still present and coupled in, in spite of screening and blocking-off of the operating current.

4.14. POWER SUPPLY (fig.)

The operating current of ± 20 V and twice +5 V are generated by 2 adjustable and 2 fixed voltage regulators. The +5 V voltage regulator for the keyboard and display units is connected to a separate transformer winding. On account of this all interferences which are generated in the sphere of the display control are separated from the remaining circuit sections.

For the +20 V and -20 V regulators by-pass resistors are provided, which avoid operation of the regulators at not allowed junction temperatures in worst case condition

(2 MHz; 19.9 Vac; $U_{\text{mains}} +10\%$; $\vartheta_{\text{amb}} = 40^{\circ}\text{C}$).

5. ACCESS TO PARTS

Before dismantling the instrument, the safety regulations in accordance with paragraph 2.1. must be strictly observed.

5.1. CABINET, see 2.4.

5.2. PUSHBUTTONS

For changing knobs for pushbuttons it is not necessary to remove the textplate or demount the cabinet. You must hook only two fingernails behind the lower part of the knob and then pull quite carefully.

5.3. TEXT PLATE

- Remove the cabinet, see 2.4.
- Remove the plastic cover of the mains switch.
- The text plate can now be pulled of (it is fitted with three points double sided adhesive tape).

5.4. UNIT 1, analog print

- Remove the cabinet, see 2.4.
- Remove the 4 screws in the corners of the upper pcb.
- The analog print can now be lifted from the four angle brackets.
- During this action the three cable with CIS-connectors must be detached from the lower side of the print.
- After removing the screws and disconnecting the cables the printed board can be set vertically into the slots of the two rear angle brackets.
- If you want to operate the instrument in this condition, you should use cable adapters to lengthen the cables between unit 2 and unit 1. These cables are no options and not purchasable. Build yourself such a cable-adaptor, it is a very simple task.

5.5. UNIT 2, digital print

- Remove the cabinet, see 2.4.
- Remove the analog print unit 1, see 5.4.
- All parts of unit 2 are now within easy reach and easy interchangeable.

5.6. UNIT 3, display card; UNIT 4, keyboard card

- Remove the cabinet, see 2.4.
- Remove the plastic cover of the mains switch.
- The text plate can be removed now (it is fitted with three points double sided adhesive tape).
- Demount unit 1, see 5.4.
- Remove the voltage regulator from the left hand side of the frame (pay attention of the mica washer).
- Desolder the red wire from point 58 on unit 2.
- Remove the four screws in the corners of the front plate (cross headed screws).

- Remove front plate and front frame with the printed card boards U3 and U4. During removing the 30 pol. CIS-connector between U2 and U3 is disconnected (be careful!).
- For demounting the display card unit 3, remove the five hexagonal units which are visible at the wired side of the printed board.
- Now the display card unit 3 is only held with two CIS-connectors to the front plate with the keyboard print U4.
- Pull out the print U3; all parts of this card are now accessible.

The replacement of a complete switch (pushbutton) requires furthermore the following actions:

- Loosen the two hexagonal units and the thread spacing piece on the printed board unit 4.
- Now the switches of unit 4 can be removed easily.

5.7. FUSE, mains transformer

- Remove the cabinet, see 2.4.
- Remove unit 1, see 5.4.
- The mains fuse is situated in the rear part at the left hand side of unit 2.
- If only the mains fuse shall be changed, the three cables with CIS-connectors must not be loosened, you can reach the mains fuse if you only lift unit 1 as high as possible.
- For selecting another mains voltage, unit 1 should be removed completely as described in chapter 5.4.
- The soldering lugs on the right hand side of the transformer must be soldered according the picture in chapter 2.5. (mains connection).

6. CHECK AND ADJUSTMENT

6.1. GENERAL

The PM 5190 is an LF synthesizer with microprocessor controlled keyboard- and display functions. The microprocessor ensures high performance data processing and instrument controlling. Data from keyboard are accepted as well as data from IEC bus. These informations are checked, transformed and then used for stimulating the functional units of the instrument like display, attenuator, wave form selector or phase accumulator for setting the frequency. In case of misoperating, incompatible settings of input values, the microprocessor initiates the LED-display to start flashing.

6.2. OVERALL FUNCTIONAL TEST

Using the PM 5190 it sometimes may happen that it shows unintelligible reactions. To understand them it is very important to be familiar with the instrument and its operation. But if you are familiar with the instrument and if it shows strange behaviours although you have done the operation very carefully, the instrument might be defective.

The first thing you have to do in every case when you have got a defect in your instrument, is to switch it off and check it on physically damages like broken wires, unplugged connectors or burnt resistors.

In this respect you should also check the mains fuse and the wiring of the mains transformer to ensure proper mains supply. In case you didn't find visible damages or disconnected mains supply, you should check the supply voltages on Unit 1 and Unit 2 according to the values of the table "check and adjustment". Don't forget that there are two +5 V supply voltages, for the digital print and for the analogue part of the instrument. If the supply for the digital print is too bad (below +4.75 V), you should try to change this voltage-regulator because it is possible, that read errors of the program memory causes a very strange function of the instrument.

We would also advise you to perform the final checks see chapter 6.5.

6.3. DIAGNOSTIC PROGRAM

Attaining this point in reading the diagnostic instruction, you have checked the instrument on visible physically damages and you have checked all supply voltages. If your PM 5190 isn't yet running and is still showing failures, you should switch it off, disconnect it from the mains and then change the built-in program memory with the diagnostic PROM to check each functional unit particularly. Figure 44 shows you where the program memory is to find (pos.334) and in which way you have to fit the PROM's.

After you have changed the normal program with the diagnostic program, reconnect all cables to Unit 1, the instrument to a socket and then push the power-switch.

The diagnostic program immediately starts to test the processor-internal RAM-places. As you know, the 8035 microprocessor presents the user a read/write memory of 64 bytes. During this test, an indication '10' is shown in the frequency display. After successful completion of the RAM-test, the indication '10' changes into '00'. In case that bad RAM-places are detected to be defective, the diagnostic program initiates the frequency display to start flashing and before you are going on to test the PM 5190, the processor-chip should be replaced by a better one.

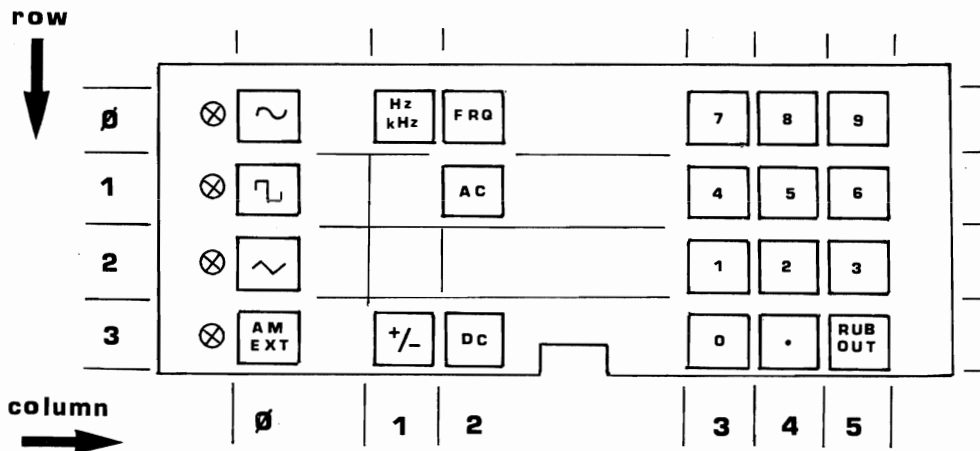
For the following tests of the functional units the processor with its RAM-places is assumed to be okay.

The LED of the frequency display shows '00' as a request for input of one of the following codes for selecting a subunit test program.

- 11 keyboard testprogram
- 12 display test
- 13 display flashing test
- 14 decimal point test
- 15 LED-test
- 16 I/O ports set to 1
- 17 I/O ports set to 0
- 18 signal-test (f = 1 kHz, Vacpp = 1 V, Vdc = 0, sinewave)

INPUT 11 - keyboard test

Co-ordinates for keyboard-test



After the code 11 has been keyed in, it appears in the two rightmost positions of the frequency display. The first and second position of this display field now indicates '00' which are the co-ordinates of the first key to be pushed. Looking to the picture above you'll see that the pushbutton for selecting the sinewave is that one with co-ordinate '00'. The first digit in this co-ordinate-indication represents the row, the second digit the column.

If you press the key that is asked for and if this key is working properly, the next co-ordinate appears which is '01'. But if the just pressed key does not work properly, the indication starts flashing. To ensure, that no misoperating is the reason for this error-indication, you should repeat test program 11 quite slowly and carefully. The last key which you have to press for this test is RUB OUT with the co-ordinate '35'. After this key was pushed and after the diagnostic program has checked it, the co-ordination indication disappears and the frequency display shows '00' in the positions 4 and 5 as a request for a new program selection.

INPUT 12 - display-test

The indication '00' disappears, each number-position of the display shows a 0. After appr. 2 s the zeros will change to a 1, after another 2 s to 2 etc. until all number-positions show a 9. After appr. 2 s these indications will extinguish and all segments of the first displayposition start lighting for appr. 0.5 s, then all segments of the second position, after another half a second all segments of the third position.... until all segments of the last display position are lighting for appr. half a second. After this the program returns back to the monitor and the display shows '00' to request a new input.

INPUT 13 - flash-test

The indication '00' disappears, the display is erased and the diagnostic program initiates the display to start flashing all segments of each display position. So you can see the indication 8888...switched on and off in cycles of appr. 0.5 s. After about 10 s the program stops flashing the display and returns back to the monitor. The indication '00' appears again as a request for a new input.

INPUT 14 - decimalpoint-test

Keying in the code 14, the test program checks the decimal points of the LED-display. The test program initiates the decimal point lighting going from left to right with a rhythm of about 0.5 s, starting at the leftmost display position of the frequency display. The decimal point behind the sixth frequency position is skipped as well as those behind the third ac- and dc-position. According to the normal use of the PM 5190, the decimalpoints of the ac- and dc-section are coupled by two. After the last decimalpoints were initiated to light, the program returns to the monitor with the indication '00' in the frequency display.

INPUT 15 - LED-test

This part of the diagnostic program checks the four LED's at the front-panel of the PM 5190. Keying in code 15 effects the lighting of each LED in a sequence beginning with the upper one. Each of them will light for appr. 0.5 s. After the LED beside the "AM EXT" key was lighting, the program returns back to its monitor with changing the indication 15 in the frequency display back to '00' which is the request for a new input.

INPUT 16 - I/O ports = 1

By means of this diagnostic part each bit of each I/O port on the digital- and analog print is set to '1'. This is very useful if you would like to check the outputs of the I/O expand ports. Each of the 80 bits of the I/o-expander must be at logical '1'. If you find a bit that is not, this port has got a failure.

The display of the PM 5190 shows - when this test is switched on - all decimal points and the four LED's beside the wave form keys lighting. The frequency display shows the code 16 as an indication for this sub-unit test program.

To switch off this test, a '0' must be keyed in.

The program will then return to the monitor, the indication will be '00' as request for an input and all expand-port outputs will change back to logical '0'.

INPUT 17 - I/O ports = 0

This sub-testprogram sets all expand port outputs to logical '0'. According to test 16 you should take an oscilloscope and check all 80 output bits of the five expand ports. If you find an output being logical '1' you have to replace this port. When this test is switched on, only the indication in the frequency display has changed from '00' to '17'.

To switch off this test the key '0' must be pressed. The program will then return to its monitor and show '00' in the frequency display.

INPUT 18 - signal test

This subtest effects the setting of frequency, amplitude, dc-offset and waveform for checking the function of subunits that are necessary for producing waveforms but not checked with another testprogram.

Keying in the code 18, it appears in the frequency display as an identification that this test is switched on. Furthermore you can see the indication '1' in the leftmost position of the frequency display which means, that the output frequency is set to 1 kHz. The amplitude is set to 1 Vpp, the dc-offset is +1 V and the sine-wave is switched on.

To switch off this subtest, push the '0'-key. The program returns to its monitor and the indication in the frequency display changes to '00' as request for an input.

6.4. ADJUSTMENTS

In the last chapter we have given you a complete description of operating the diagnostic-program. With this knowledge it might be easy for you to localize a defect in your instrument.

After you have eliminated the defect, it might be useful to check the instrument completely and - if it is necessary - to adjust it. Therefore the diagnostic-program should be replaced by the PROM with the working-program, the following chapter will show you what is to do then.

The limits mentioned in this paragraph are valid only for a newly adjusted instrument and therefore might deviate from the values as stated in paragraph 1.2. "Technical Data".

Adjustment of the instrument is only permitted after a warm-up time of at least 30 minutes at an ambient temperature of $(+23 \pm 3)^{\circ}\text{C}$ and when connected to a mains voltage of $220\text{ V} \pm 10\%$. The cabinet must be closed. If not explicitly stated otherwise, the voltage potentials refer to the relevant contact measured against circuit earth (\perp).

6.4.1. Crystal-oscillator

For the first the frequency of the crystal oscillator should be checked. The normal value is 8.589934 MHz, the maximal deviation may be ± 4 Hz. To check this frequency, connect your counter to the integrated circuit pos.331 pin 3 (on Unit 2). The adjustment you can do with the trimming capacitor pos.505.

6.4.2. Power supply

Secondly you should test all supply voltages of the instrument.

+20 V ± 0.1 V	adjustable with R 833 on Unit 1
-20 V ± 0.1 V	adjustable with R 836 on Unit 1
+ 5 V ± 0.25 V	Unit 1 } not adjustable,
+ 5 V ± 0.25 V	Unit 3 } fixed regulators

6.4.3. Glitches

The next point is the adjustment of glitches. Therefore you must select the sine-waveform and set the output frequency to 1 kHz. The oscilloscope must be connected to R 695/R 697, with the trimming potentiometer R 602 the glitches must be adjusted to a minimum value.

6.4.4. Amplitude, dc-offset

Connect an oscilloscope and a digital voltmeter to R 685 and adjust the amplitude with the trimming potentiometer R 608 to (12 ± 0.1) Vpp and the dc-offset to $0\text{ V} \pm 0.5\text{ mV}$ with R 615.

Connect an oscilloscope and a digital voltmeter to R 839/R 700. The amplitude should have a value of (9 ± 0.1) Vpp. Adjust the dc-offset to $0\text{ V} \pm 0.5\text{ mV}$ with the trimming potentiometer R 839.

6.4.5. Square-wave

Connect the oscilloscope and digital voltmeter to the emitter of TS 342, check the amplitude on $(9 \pm 0.1) \text{ Vpp}$ and adjust the dc-offset to $0 \text{ V} \pm 0.5 \text{ mV}$. Press the square-wave key at the frontpanel and then adjust the amplitude to $(9 \pm 0.1) \text{ Vpp}$ with potentiometer R 708 and the dc-offset to $0 \text{ V} \pm 0.5 \text{ mV}$ with R 713. The trimming potentiometer R 701 then allows to adjust the square-wave symmetry to a value better than 0.5%.

Connect the oscilloscope and the digital voltmeter to R 818/R 819. Set frequency, amplitude and waveform to $f = 100 \text{ kHz}$, $V_{acpp} = .000$ and "⌋" Adjust the dc-offset to $0 \text{ V} \pm 0.5 \text{ mV}$ with potentiometer R 794.

Set the amplitude to $.002 \text{ Vpp}$ and adjust the overshoot of the square-wave to a minimum by means of the trimming capacitor C 558.

Set the output amplitude to 12.8 Vpp and adjust the edge steepness to a maximal value and overshoot to a minimum by using the trimming capacitor C 559.

Change the waveform to "∧" with AM-EXT and check the amplitude on $V_{acpp}/2 (=6.4 \text{ Vpp} \pm 0.1 \text{ Vpp})$. Adjust this value - if necessary - with potentiometer R 729.

The output amplitude must be set to 0.00 V . If the dc-offset is beyond the limit of $0 \text{ V} \pm 0.5 \text{ mV}$, you must adjust it with R 738.

6.4.6. Attenuator

Connect an ac-voltmeter to the output connector. Set frequency, amplitude and waveform to 1 kHz , 19.9 V_{acpp} and "∧". The RMS-output value now should be 7.035 V , if not, adjust the right value with the trimming potentiometer R 790

$V_{acpp} = 1.00 \text{ V} = U_{rms} = 353.5 \text{ mV} \pm 3 \text{ mV}$	} adjustable with R 841
" = $.100 \text{ V} = U_{rms} = 35.35 \text{ mV} \pm 0.3 \text{ mV}$	
" = $.010 \text{ V} = U_{rms} = 3.535 \text{ mV} \pm 0.03 \text{ mV}$	
" = $.001 \text{ V} = U_{rms} = 0.3535 \text{ mV} \pm 0.01 \text{ mV}$	

6.4.7. DC-generator

Connect a digital voltmeter to the integrated circuit pos.370 pin 15, dc-offset must be set to -0.00 V . Check on $-10 \text{ V} \pm 10 \text{ mV}$ and adjust it with trimming potentiometer R 779 - if necessary.

Then set the dc-offset to $+0.00 \text{ V}$ and check the DVM-indication on $+10 \text{ V} \pm 20 \text{ mV}$ and correct it, if necessary with R 842.

Now connect the DVM to the output socket. The dc-output voltage must be $-9.9 \text{ V} \pm 50 \text{ mV}$. If the measured voltage is beyond these limits, adjust it with the trimming potentiometer R 792.

6.5. FINAL CHECK

6.5.1. Check on noise level

Connect a wide-band oscilloscope to the output-socket. Frequency and ac-amplitude must be set to zero. The noise level should not be greater than 1 mVpp (terminate the output with 50 Ohm).

6.5.2. Functional check of the instrument

Switching the PM 5190 off and on again sets all display indications to 0, the LED beside the sine-wave pushbutton lights as well as the Hz-indication. Now push the key "FRQ", the following input digits will appear in the frequency display-field. Key in "123.456", these digits must appear in the frequency field.

If you push the 'RUB OUT' key once, the 6 disappears from the frequency display.

Pushing the Hz/kHz key once switches from Hz to kHz, which is indicated by the lamp beside kHz, that one beside Hz is extinguished.

Push the key 'AC' and key in 7.9. The ac-display-field must show 07.9.

Push the key 'DC' and key in the value 6.9. The dc-display-field must show 06.9, furthermore the ac- and dc-display-field start blinking.

Pushing the 'RUB OUT' key once stops blinking immediately.

If you then push the key '~', the red LED beside this waveform key lights and the frequency display field starts blinking.

Now push the black key 'AM EXT'. The red lamps beside this key and '~' are lighting, the frequency display field is still blinking.

Push the key 'L'. The red lamp beside this key lights and the frequency display field stops blinking.

Pushing the key '+/-' changes the sign of the dc-offset field.

6.5.3. IEC bus check

Connect your PM 5190 to any IEC bus talker (e.g. test box or IEC-controller). Set the instrument to remote-state (the IEC addr. is "4").

Now send the following parameters via IEC bus to the instrument:

"F123.456W3A19.4D-02ETX" which means a frequency of 123.456 kHz (you remember that frequency definitions in remote control mode are always done in kHz), triangular waveform, an amplitude of 19.4 Vpp with a dc-offset of -0.2 V. The frequency indication should start blinking now because of the frequency is greater than 100 kHz with triangular waveform. Check, that no input via keyboard is possible.

Disconnecting the PM 5190 from IEC bus must return it from remote to local mode.

6.6. CHECK AFTER REPAIR AND MAINTENANCE

Checking the protective leads

The correct connection and condition is checked by visual control and by measuring the resistance between the protective-lead connection at the plug and the cabinet.

The resistance should be < 0.5 Ohm. During measurement the mains cable should be moved. Resistance variations indicate a defect.

Checking the insulating resistance

Measure the insulating resistance at $U = 500$ V between the mains connection and the protective lead connection.

For this purpose set the mains switch to ON.

The insulating resistance should be > 2 MOhm.

7. P A R T S L I S T

7.1. Mechanical parts, miscellaneous, parts not on units

Item	Fig.	Quantity	Order number	Description
1		1	5322 447 44009	Cover
2		4	5322 462 44174	Foot (bottom side)
3	33	2	5322 520 34164	Bearing bush
4	33	2	5322 530 84075	Spring
5	33	2	5322 528 34101	Ratchet
6	33	2	5322 532 54425	Ring for handle
7	33	2	5322 498 54048	Arm for handle
8		1	5322 498 54051	Carrying handle
9	33	2	5322 414 64053	Knob
10		4	5322 462 44176	Foot (rear side)
11		1	5322 502 14164	Coin-slot screw (rear side)
12		1	4822 530 70124	Locking washer (rear side)
13		3	5322 532 54334	Insulating bush for BNC socket
14		1	5322 456 94101	Textplate
15		21	5322 276 14432	Pushbutton (keyb.)
16		1	5322 414 26414	Key cap assembly, 21 caps
17		4	5322 462 34125	Print holder
18		1	5322 290 64202	Soldering terminal for mains cable
811		1	4822 253 30014	Fuse 315 MAT
		1	4822 253 30018	Fuse 630 MAT
19	35	1	5322 321 14048	Mains cable 1850
20	35	1	5322 401 14275	Cable clamp
21	35	1	5322 325 54067	Lead through
22	35	1	5322 325 60119	Pull relief
23	34, 37	3	5322 526 14034	Rohrkern/tabulator core
351, 352	37	2	4822 130 41223	IC LM340 T5.0
501	37	1	5322 121 44364	Line filter FKE 250
502	37	1	4822 121 40165	Capacitor MKC 1MUO/100 V
503, 504	37	2	5322 122 44012	Capacitor cer. disc 100n/63 V
601	37	1	5322 116 54696	Resistor 100K MR25
751		1	5322 146 34134	Mains transformer
24	34	3	5322 267 10004	BNC connector
25		1	5322 456 94099	Window
26	33	5	5322 255 44037	Heat sink, U1
27	33	4	5322 255 44287	Heat sink, U1
		-	5322 390 24013	Silicon paste DC 340
28		9	5322 255 44109	IC-socket, 24 pole
29		3	5322 209 84872	IC-socket, 40 pole
30		13	5322 255 44073	IC-socket, 14 pole, U3
31	44	1	5322 265 54055	IEC-bus connector
802-806	44	5	5322 277 24053	Switch, U2
810	44	1	5322 276 14433	Mains switch

7.2. Electrical parts

Some parts are listed in chapter 7.1.

7.2.1. UNIT 1TRANSISTORS/U1

301	5322	130	44908	BCY79/VIII
302-311	5322	130	44576	BCY59/VIII
312-321	5322	130	44908	BCY79/VIII
322-330	5322	130	44576	BCY59/VIII
331,334	4822	130	44197	BC558B
332,333	4822	130	40937	BC548B
335,338	4822	130	40937	BC548B
337,341	4822	130	44197	BC558B
339,340	5322	130	44237	BF450
342,345	5322	130	44034	2N2219A
343	4822	130	44197	BC558B
344,348	5322	130	40468	2N2905A
346,352	4822	130	40937	BC548B
347	4822	130	40902	BF240
349,351	5322	130	44034	2N2219A
350,355	5322	130	40468	2N2905A
353,357	4822	130	44197	BC558B
354	5322	130	44034	2N2219A
356	4822	130	40937	BC548B

INTEGRATED CIRCUITS/U1

360,364	5322	209	85957	MUA741N
361	5322	209	14441	NE521N
362	5322	209	85345	SN74LS37N
363	5322	209	85803	MC1496N
365-367	5322	209	84073	SN7406N
368,369	5322	209	85957	MUA741N
370	5322	209	14886	AD7530JN,
371,372	5322	209	14071	MOS-HEF4042BP
373	5322	209	84073	SN7406N
374	5322	209	85565	78GCU1
375	5322	209	86349	79GCU1
377,378	5322	209	14887	MOS-P8243
380-382	5322	209	84995	N74LS08N
383,384	5322	209	85957	MUA741N

DIODES/U1

401	4822	130	34047	BZX75-C1V4
402,403	4822	130	34233	BZX79-B5V1
404,405	4822	130	34047	BZX75-C1V4
406	4822	130	34197	BZX79-B12
407	4822	130	34382	BZX79-B8V2
408	5322	130	34568	BZV14
409	4822	130	34233	BZX79-B5V1
410,411	4822	130	34047	BZX75-C1V4
412,413	4822	130	30917	BY225-100, RECTIFIER
414,415	5322	130	34321	1N4151

CAPACITORS/UI

ITEM	ORDERING NUMBER	FARAD	TOL (%)	VOLTS	REMARKS
501-509	5322 122 34041	10N	-20+50	100	CERAMIC PLATE
510	4822 124 20673	470MU		6,3	ELECTROLYTIC
511-519	5322 122 34041	10N	-20+50	100	CERAMIC PLATE
520	4822 122 31041	3P3	0,25	100	CERAMIC PLATE
521-525	4822 122 31063	22P	2	100	CERAMIC PLATE
526-534	5322 122 34041	10N	-20+50	100	CERAMIC PLATE
535-538	4822 122 31076	68P	2	100	CERAMIC PLATE
539	5322 121 50497	680P	1	250	POLYSTYRENE FOIL
540,547	4822 124 20673	470MU		6,3	ELECTROLYTIC
541	4822 122 31067	33P	2	100	CERAMIC PLATE
542,545	4822 122 30103	22N	-20+80	63	CERAMIC PLATE
543,544	4822 124 20698	22MU		25	ELECTROLYTIC
546	4822 121 40232	220N	10	100	POLYESTER FOIL
548	4822 124 20698	22MU		25	ELECTROLYTIC
549	4822 122 31243	82P	2	100	CERAMIC PLATE
550	4822 122 31069	39P	2	100	CERAMIC PLATE
551	4822 122 31061	18P	2	100	CERAMIC PLATE
552	4822 122 31054	10P	2	100	CERAMIC PLATE
553	5322 122 34107	3P9	0,25	100	CERAMIC PLATE
554	4822 122 30105	1P5	0,25	100	CERAMIC PLATE
555	4822 122 31036	2P2	0,25	100	CERAMIC PLATE
556	4822 122 30103	22N	-20+80	63	CERAMIC PLATE
557	4822 124 20945	33MU		10	ELECTROLYTIC
558,559	4822 125 50076	2-18P		300	TRIMMER
560,561	4822 122 30128	4N7	10	100	CERAMIC PLATE
562,563	4822 124 20698	22MU		25	ELECTROLYTIC
564,565	4822 122 30128	4N7	10	100	CERAMIC PLATE
566,567	4822 124 20798	3300MU		40	ELECTROLYTIC
568,569	4822 124 20698	22MU		25	ELECTROLYTIC
570,571	4822 122 30103	22N	-20+80	63	CERAMIC PLATE
572	4822 124 20783	6800MU		16	ELECTROLYTIC
573	4822 124 20677	22MU		10	ELECTROLYTIC
574	4822 122 30103	22N	-20+80	63	CERAMIC PLATE
575	5322 121 40323	100N	10	100	POLYESTER FOIL
576	5322 124 14078	1MU5		40	ELECTROLYTIC TANT
577-584	4822 122 30103	22N	-20+80	63	CERAMIC PLATE
585,595	4822 122 31168	270P	2	100	CERAMIC PLATE
586	4822 122 31316	100P	2		CERAMIC PLATE
587-589	4822 122 30103	22N	-20+80	63	CERAMIC PLATE
590	4822 124 20698	22MU		25	ELECTROLYTIC
591,597	4822 122 30103	22N	-20+80	63	CERAMIC PLATE
592	4822 122 31047	5P6	0,25	100	CERAMIC PLATE
593,594	4822 122 30128	4N7	10	100	CERAMIC PLATE
596	4822 122 31054	10P	2	100	CERAMIC PLATE
599	5322 125 54001	4-30P		50	TRIMMER

RESISTORS/U1

ITEM	ORDERING NUMBER	OHM	TOL (%)	TYPE	REMARKS
601,607	5322 116 54646	23,7K	1	MR25 .	METAL FILM
602,608	5322 101 14048	47K		LIN .	TRIMMING POTM
603,605	5322 116 55448	4,02K	1	MR25 .	METAL FILM
604	5322 116 55451	487	1	MR25 .	METAL FILM
606	5322 116 50635	1,47K	1	MR25 .	METAL FILM
609,614	5322 116 54646	23,7K	1	MR25 .	METAL FILM
610	4822 116 51253	10K	1	MR25 .	METAL FILM
611	5322 116 50664	2,05K	1	MR25 .	METAL FILM
612	5322 116 50671	2,61K	1	MR25 .	METAL FILM
613,619	5322 116 54549	1,0K	1	MR25 .	METAL FILM
615	5322 101 14048	47K		LIN .	TRIMMING POTM
616	5322 116 50557	46,4K	1	MR25 .	METAL FILM
617	5322 116 50636	2,74 K	1	MR25 .	METAL FILM
618	5322 116 50664	2,05K	1	MR25 .	METAL FILM
621-629	5322 116 54496	200	1	MR25 .	METAL FILM
631-639	5322 116 54469	100	1	MR25 .	METAL FILM
641-644	5322 116 50561	590	1	MR25 .	METAL FILM
645	5322 116 50561	590	0,5	MR25 .	METAL FILM
646-649	5322 116 54288	590	0,1	MR24 .	METAL FILM
651-659	5322 116 54469	100	1	MR25 .	METAL FILM
660-663	5322 116 50561	590	1	MR25 .	METAL FILM
664	5322 116 50561	590	0,5	MR25 .	METAL FILM
665-667	5322 116 54288	590	0,1	MR24 .	METAL FILM
668	5322 116 50561	590	1	MR25 .	METAL FILM
669-671	5322 116 54556	1,18K	1	MR25 .	METAL FILM
672	5322 116 54556	1,18K	0,5	MR25 .	METAL FILM
673-675	5322 116 54993	1,18K	0,1	MR24 .	METAL FILM
676-684	5322 116 54469	100	1	MR25 .	METAL FILM
685	5322 116 50555	1,27K	1	MR25 .	METAL FILM
686-694	5322 116 54556	1,18K	1	MR25 .	METAL FILM
695	5322 116 54561	1,33K	1	MR25 .	METAL FILM
696	5322 116 54497	226	1	MR25 .	METAL FILM
697	5322 116 50524	3,01K	1	MR25 .	METAL FILM
698	4822 116 51253	10K	1	MR25 .	METAL FILM
699,702	5322 116 54558	8,25K	1	MR25 .	METAL FILM
700	5322 116 50479	15,4K	1	MR25 .	METAL FILM
701,708	5322 100 10112	1K		LIN .	TRIMMING POTM
703	5322 116 50669	205	1	MR25 .	METAL FILM
704	5322 116 54599	5,76K	1	MR25 .	METAL FILM
705	5322 116 50728	1,87K	1	MR25 .	METAL FILM
706	5322 116 54529	619	1	MR25 .	METAL FILM
707	5322 116 55451	487	1	MR25 .	METAL FILM
709,714	5322 116 50484	4,64K	1	MR25 .	METAL FILM
710-711	5322 116 54558	8,25K	1	MR25 .	METAL FILM
712	5322 116 54549	1,0K	1	MR25 .	METAL FILM
713	5322 100 10112	1K		LIN .	TRIMMING POTM
715	5322 116 54571	1,96K	1	MR25 .	METAL FILM
716	5322 116 54629	14,0K	1	MR25 .	METAL FILM
717	5322 116 50608	6,19K	1	MR25 .	METAL FILM
718,722	5322 116 55276	13,3K	1	MR25 .	METAL FILM
719,721	4822 116 51282	511	1	MR25 .	METAL FILM
723,724	5322 116 54549	1,0K	1	MR25 .	METAL FILM
725	5322 116 54469	100	1	MR25 .	METAL FILM
726	4822 116 51282	511	1	MR25 .	METAL FILM
727,728	5322 116 54536	750	1	MR25 .	METAL FILM
729	5322 101 14048	47K		LIN .	TRIMMING POTM
730,740	5322 116 50636	2,74K	1	MR25 .	METAL FILM
731,732	5322 116 54469	100	1	MR25 .	METAL FILM
733	5322 116 54012	6,81K	1	MR25 .	METAL FILM
734,735	5322 116 54549	1,0K	1	MR25 .	METAL FILM

ITEM	ORDERING NUMBER	OHM	TOL (%)	TYPE	REMARKS
736,737	5322 116 55273	196	1	MR25	METAL FILM
738	5322 116 54665	40,2K	1	MR25	METAL FILM
739	5322 116 55273	196	1	MR25	METAL FILM
741	5322 116 54635	16,9K	1	MR25	METAL FILM
742,743	5322 116 55448	4,02K	1	MR25	METAL FILM
744	5322 116 55598	360	5	PR37	METAL FILM
745	5322 116 55188	240	5	PR37	METAL FILM
746	5322 116 54474	110	1	MR25	METAL FILM
747	5322 116 54572	2,0K	1	MR25	METAL FILM
748	5322 116 50479	15,4K	1	MR25	METAL FILM
749	5322 116 50524	3,01K	1	MR25	METAL FILM
750	5322 101 14011	100		LIN	TRIMMING POTM
751	5322 116 55448	4,02K	1	MR25	METAL FILM
752	5322 116 50458	7,87K	1	MR25	METAL FILM
753	5322 116 50457	215	1	MR25	METAL FILM
754	5322 116 54497	226	1	MR25	METAL FILM
755	5322 116 54457	71,5	1	MR25	METAL FILM
757	5322 116 50747	1,0K	0,1	MR24	METAL FILM
759-761	5322 116 54064	2,0K	0,1	MR24	METAL FILM
762	5322 116 55197	2,1K	0,1	MR24	METAL FILM
763	5322 116 55039	5,9K	0,1	MR24	METAL FILM
764	5322 116 54064	2,0K	0,1	MR24	METAL FILM
765	5322 116 54222	14K	0,1	MR24	METAL FILM
767	5322 116 54554	1,1K	1	MR25	METAL FILM
768	5322 116 54656	30,9K	1	MR25	METAL FILM
770	5322 116 54573	2,1K	1	MR25	METAL FILM
771	5322 116 50872	61,9K	1	MR25	METAL FILM
773	5322 116 54549	1,0K	1	MR25	METAL FILM
774	5322 116 54706	127K	1	MR25	METAL FILM
775	5322 116 50459	422	1	MR25	METAL FILM
776,781	4822 116 51253	10K	1	MR25	METAL FILM
777	5322 116 50675	2,26K	1	MR25	METAL FILM
778	5322 116 50556	4,42K	1	MR25	METAL FILM
779,794	5322 100 10112	1K		LIN	TRIMMING POTM
780	5322 116 54597	5,36K	1	MR25	METAL FILM
782	5322 116 54625	11,8K	1	MR25	METAL FILM
783	5322 116 50458	7,87K	1	MR25	METAL FILM
784,789	4822 116 51253	10K	1	MR25	METAL FILM
785	5322 116 50443	12,7K	1	MR25	METAL FILM
786	5322 116 55372	7,32K	1	MR25	METAL FILM
787	5322 116 54641	19,6K	1	MR25	METAL FILM
788,796	5322 116 50523	4,99K	1	MR25	METAL FILM
790	5322 116 50483	38,3K	1	MR25	METAL FILM
791	5322 116 55276	13,3K	1	MR25	METAL FILM
792	5322 116 54595	5,11K	1	MR25	METAL FILM
793,795	5322 116 55448	4,02K	1	MR25	METAL FILM
797,798	5322 116 50677	21,5	1	MR25	METAL FILM
799,800	5322 116 55598	360	5	PR37	METAL FILM
801,802	5322 116 54451	61,9	1	MR25	METAL FILM
803,804	5322 116 50555	1,27K	1	MR25	METAL FILM
805,806	4822 116 51253	10K	1	MR25	METAL FILM
807	5322 116 54623	11K	1	MR25	METAL FILM
808,809	5322 116 54014	23,7	1	MR25	METAL FILM
810	5322 116 54549	1,0K	1	MR25	METAL FILM
811,812	5322 116 50669	205	1	MR25	METAL FILM
813,814	4822 116 51167	33	5	PR37	METAL FILM
815,816	5322 116 55416	10	5	PR37	METAL FILM
817	5322 116 50635	1,47K	1	MR25	METAL FILM
818,819	4822 116 51098	100	5	PR37	METAL FILM
820,823	5322 116 54499	249	1	MR25	METAL FILM
821	5322 116 50679	237	1	MR25	METAL FILM
822	5322 116 50437	243	1	MR25	METAL FILM
824,827	5322 116 54499	249	1	MR25	METAL FILM
825,828	5322 116 54426	121	1	MR25	METAL FILM
826	5322 116 54478	124	1	MR25	METAL FILM
829,831	5322 116 54478	124	1	MR25	METAL FILM
830	5322 116 54426	121	1	MR25	METAL FILM
832	5322 116 54632	14,7K	1	MR25	METAL FILM
833,836	5322 100 10112	1,0K		LIN	TRIMMING POTM

ITEM	ORDERING NUMBER	OHM	TOL (%)	TYPE	REMARKS
834	5322 116 50556	4,42K	1	MR25	METAL FILM
835	5322 116 54637	17,8K	1	MR25	METAL FILM
837	5322 116 50515	1,78K	1	MR25	METAL FILM
838,840	5322 116 54589	3,83K	1	MR25	METAL FILM
839	5322 101 14047	470		LIN	TRIMMING POTM
841	5322 116 54554	1,1K	1	MR25	METAL FILM
842	5322 116 50481	22,6K	1	MR25	METAL FILM
843-845	5322 116 54965	82	5	PR52	METAL FILM
846	5322 116 50452	10	1	MR25	METAL FILM
847	5322 116 55335	383K	1	MR25	METAL FILM

COILS/UI

ITEM	ORDERING NUMBER	TYPE/DESCRIPTION
851,852	5322 158 14284	
853	5322 158 10222	10MUH
854	5322 158 10284	47MUH
855-857	5322 158 10276	4,7MUH

RELAIS/UI

861-880	4822 280 20064
---------	----------------

7.2.2 UNIT 2TRANSISTORS

301,302 4822 130 44195 BF494

INTEGRATED CIRCUITS

327,331	5322	209	84823	N74LS00N
328,329	5322	209	14433	MOS-HEF40097BP
330	5322	209	85255	N74LS90N
332	5322	209	86479	MOS-P8035
333	5322	209	14559	MOS-HEF4508BP
335-337	5322	209	14887	MOS-P8243
341	5322	209	14045	MOS-HEF4001BP
342	5322	209	14054	MOS-HEF4081BP
345-348	5322	209	85464	MC3441AP
349	5322	209	14509	MOS-HEF4738VP
350	5322	209	14186	MOS-HEF4093BP
351	5322	209	14219	MOS-HEF4014BP

352-359	5322	209	86052	N74LS283N
360-365	5322	209	85562	N74LS174N
369	5322	209	85974	SN74LS109AN
370-376	5322	209	84999	N74LS175N
377-380	5322	209	84997	N74LS86N
381	5322	209	54695	N82S114N
382,383	5322	209	85489	N74LS157N

DIODES/U2

401	4822	130	30613	BAW62
402	4822	130	30917	BY225-100 RECTIFIER

CAPACITORS/U2

ITEM	ORDERING NUMBER	FARAD	TOL (%)	VOLTS	REMARKS
500	4822 122 31049	6P8	0,25	100	CERAMIC PLATE
501,510	4822 124 20671	68MU		6,3	ELECTROLYTIC
502,503	4822 122 30103	22N	-20+80	63	CERAMIC PLATE
504	4822 122 30045	27P	2	100	CERAMIC PLATE
505	5322 125 54083	2,5-27P		100	TRIMMER
506,508	4822 122 31316	100P	2		CERAMIC PLATE
507,509	4822 122 31247	120P	2	100	CERAMIC PLATE
511-514	4822 122 30103	22N	-20+80	63	CERAMIC PLATE
515	5322 124 10153	22MU		15	ELECTROLYTIC TANT.
516	4822 122 30103	22N	-20+80	100	CERAMIC PLATE
517	4822 124 20671	68MU		6,3	ELECTROLYTIC
518	5322 124 14069	3MU3		15	ELECTROLYTIC TANT.
519	4822 124 20783	6800MU		16	ELECTROLYTIC
520,521	4822 124 20671	68MU		6,3	ELECTROLYTIC
522-527	4822 122 30103	22N	-20+80	63	CERAMIC PLATE
528,529	4822 122 31063	22P	2	100	CERAMIC PLATE
530,531	4822 124 20671	68MU		6,3	ELECTROLYTIC
532,541	4822 122 30103	22N	-20+80	63	CERAMIC PLATE
534-536	4822 122 30103	22N	-20+80	63	CERAMIC PLATE
540	4822 124 20671	68MU		6,3	ELECTROLYTIC

RESISTORS/U2

ITEM	ORDERING NUMBER	OHM	TOL (%)	TYPE	REMARKS
601,602	5322 116 54643	20,5K	1	MR25	METAL FILM
603	5322 116 54624	11,5K	1	MR25	METAL FILM
604,607	5322 116 54192	5,11	1	MR25	METAL FILM
605	5322 116 54668	44,2K	1	MR25	METAL FILM
606	5322 116 54557	1,21K	1	MR25	METAL FILM
608-611	5322 116 54595	5,11K	1	MR25	METAL FILM
614	5322 116 50675	2,26K	1	MR25	METAL FILM
615	5322 116 54683	68,1K	1	MR25	METAL FILM
620	5322 116 54595	5,11K	1	MR25	METAL FILM
621,622	5322 116 54519	402	1	MR25	METAL FILM
628,629	5322 116 54549	1,0K	1	MR25	METAL FILM
630	5322 116 50557	46,4K	1	MR25	METAL FILM

851	5322 242 74407	CRYSTAL 8.590042 MHZ
-----	----------------	----------------------

7.2.3 UNIT 3TRANSISTORS/U3

350-376	4822 130 44197	BC558B
EVEN NOS		
351-375	4822 130 44283	BC636
ODD NOS		
380-388	4822 130 44196	BC548C
389-395	4822 130 44121	BC338

INTEGRATED CIRCUITS/U3

301	5322 209 86243	MOS-P8279
302	5322 209 86085	N74LS154N
303	5322 209 85752	N74LS155N
304	5322 209 84994	N74LS05N
306	5322 209 85832	N74LS26A
307	4822 209 80775	NE555N
308	5322 209 85789	SN74LS248N
309,310	5322 209 14068	MOS-HEF4050BP

DISPLAY/U3

451-467	5322 130 34389	HP5082-7730
469	5322 130 34985	HP5082-7732
471-475	5322 130 34389	HP5082-7730

DIODES/U3

476,477	4822 130 30914	LED-CQY54
---------	----------------	-----------

CAPACITORS/U3

ITEM	ORDERING NUMBER	FARAD	TOL (%)	VOLTS	REMARKS
501,504	4822 124 20671	68MU		6,3	ELECTROLYTIC
502	4822 122 30103	22N	-20+80	63	CERAMIC PLATE
503	5322 124 14069	3MU3		15	ELECTROLYTIC TANT.
506-510	4822 122 30103	22N	-20+80	63	CERAMIC PLATE
520	5322 124 14075	1MU0		35	ELECTROLYTIC TANT.

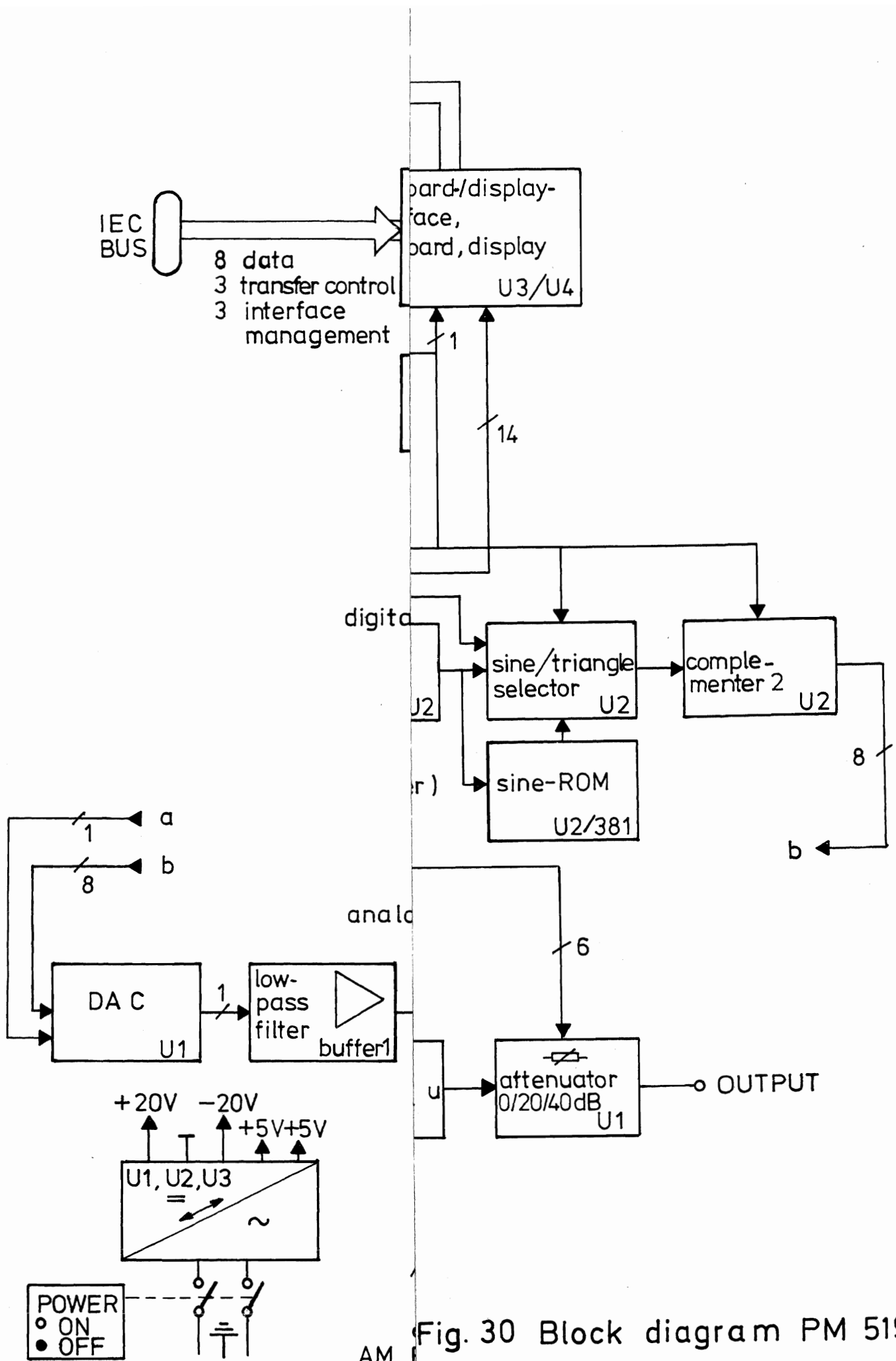
RESISTORS/U3

ITEM	ORDERING NUMBER	OHM	TOL (%)	TYPE	REMARKS
601-606	5322 116 54506	287	1	MR25	METAL FILM
607,608	5322 116 54728	215K	1	MR25	METAL FILM
609	5322 111 94268	6,8K			RESISTOR-NETW.
610-625	5322 116 50895	18,7	1	MR25	METAL FILM
630	5322 111 94267	2,2K			RESISTOR-NETW.
650-674, EVEN NOS	5322 116 54516	365	1	MR25	METAL FILM
651-675, ODD NOS	5322 116 54595	5,11K	1	MR25	METAL FILM
676	5322 116 55448	4,02K	1	MR25	METAL FILM
677-678	5322 116 50903	24,9	1	MR25	METAL FILM
690	5322 116 54683	68,1K	1	MR25	METAL FILM
691	5322 116 54595	5,11K	1	MR25	METAL FILM

7.2.4. UNIT 4

ITEM	ORDERING NUMBER	TYPE/DESCRIPTION
401-405	4822 130 30914	LED-CQY54

Figures



AM Fig. 30 Block diagram PM 519C

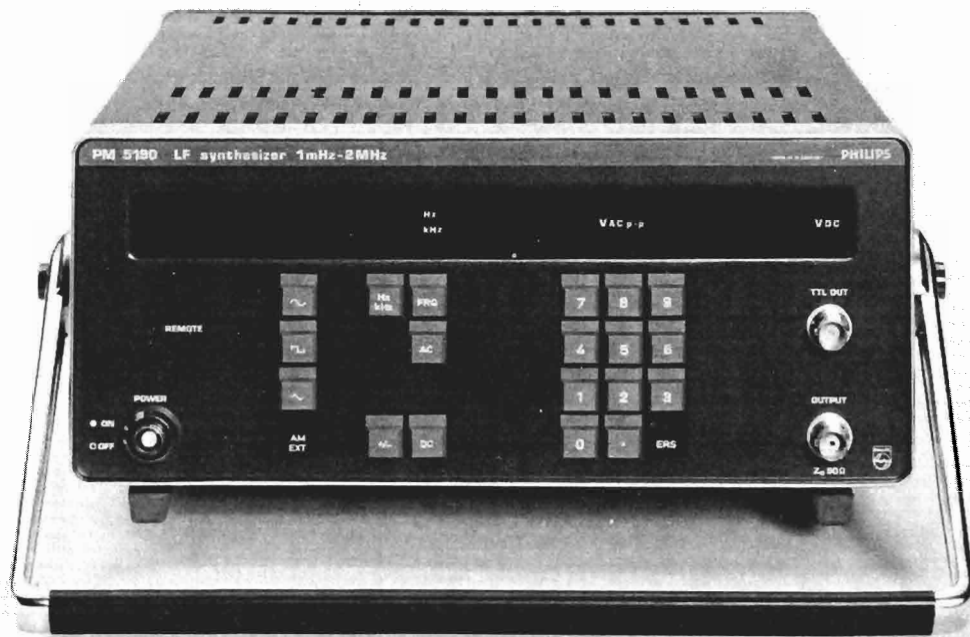


Fig.31 Front view

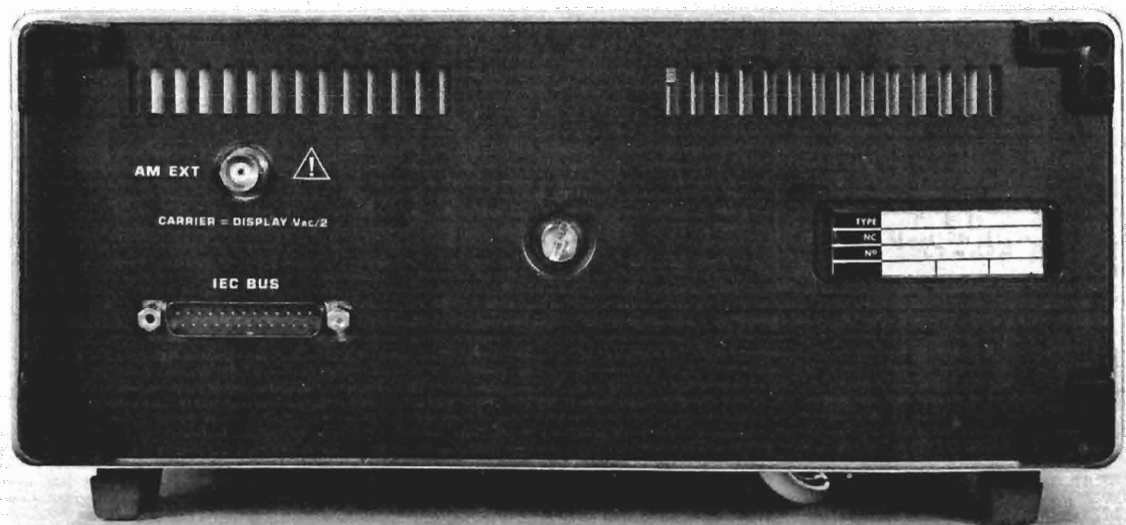


Fig.32 Rear view

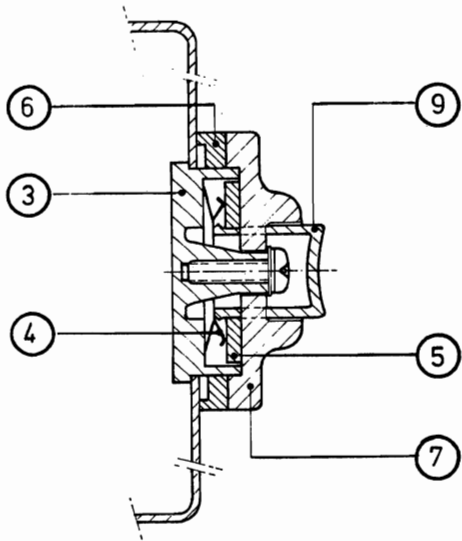


Fig. 33 Handle: spare parts

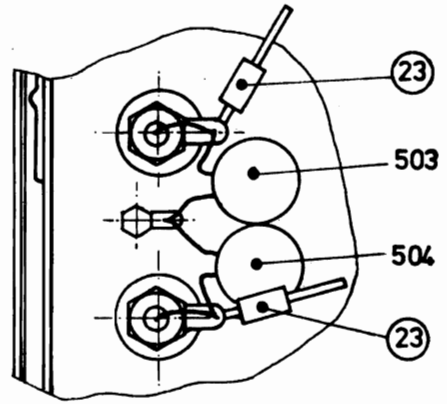


Fig. 34 BNC output sockets: spare parts

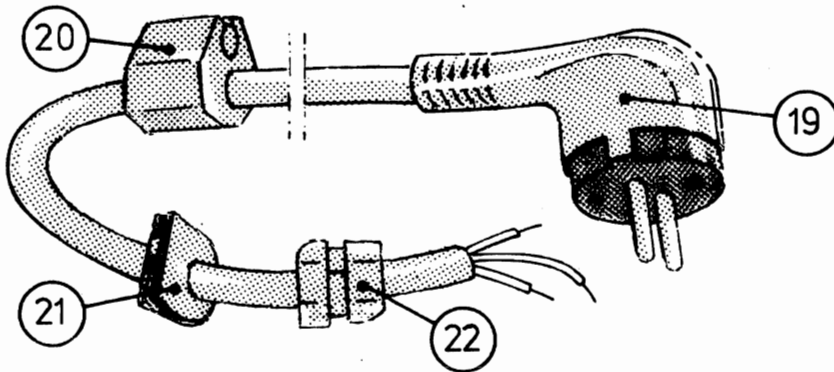


Fig. 35 Mains cable: spare parts

**CODING SYSTEM OF FAILURE REPORTING FOR QUALITY
ASSESSMENT OF T & M INSTRUMENTS
(excl. potentiometric recorders)**

The information contents of the coded failure description is necessary for our computerized processing of quality data.

Since the reporting of repair and maintenance routines must be complete and exact, we give you an example of a correctly filled-out PHILIPS SERVICE Job sheet.

①	②	③	④
<i>Country</i>	<i>Day Month Year</i>	<i>Typenumber /Version</i>	<i>Factory/Serial no.</i>
3 2	1 5 0 4 7 5	O P M 3 2 6 0 0 2	D O 0 0 7 8 3

CODED FAILURE DESCRIPTION

⑤	⑥	⑦	⑧																																																							
<i>Nature of call</i>	<i>Location</i>	<i>Component/sequence no.</i>	<i>Category</i>																																																							
<input type="checkbox"/> Installation <input type="checkbox"/> Pre sale repair <input type="checkbox"/> Preventive maintenance <input checked="" type="checkbox"/> Corrective maintenance <input type="checkbox"/> Other	<table border="1" style="width: 100%; height: 100%; border-collapse: collapse;"> <tr><td> </td><td> </td><td> </td><td> </td></tr> <tr><td> </td><td> </td><td> </td><td> </td></tr> <tr><td>0</td><td>0</td><td>2</td><td>1</td></tr> <tr><td> </td><td> </td><td> </td><td> </td></tr> <tr><td> </td><td> </td><td> </td><td> </td></tr> </table>									0	0	2	1									<table border="1" style="width: 100%; height: 100%; border-collapse: collapse;"> <tr><td>T</td><td>S</td><td>0</td><td>6</td><td>0</td><td>7</td></tr> <tr><td>R</td><td>0</td><td>0</td><td>6</td><td>3</td><td>1</td></tr> <tr><td>9</td><td>9</td><td>0</td><td>0</td><td>0</td><td>1</td></tr> <tr><td> </td><td> </td><td> </td><td> </td><td> </td><td> </td></tr> <tr><td> </td><td> </td><td> </td><td> </td><td> </td><td> </td></tr> </table>	T	S	0	6	0	7	R	0	0	6	3	1	9	9	0	0	0	1													<table border="1" style="width: 100%; height: 100%; border-collapse: collapse;"> <tr><td>5</td></tr> <tr><td>2</td></tr> <tr><td>4</td></tr> <tr><td> </td></tr> <tr><td> </td></tr> </table>	5	2	4		
0	0	2	1																																																							
T	S	0	6	0	7																																																					
R	0	0	6	3	1																																																					
9	9	0	0	0	1																																																					
5																																																										
2																																																										
4																																																										
			<input checked="" type="checkbox"/> Job completed <input type="checkbox"/> Working time																																																							
			<table border="1" style="width: 100%; height: 100%; border-collapse: collapse;"> <tr><td> </td><td> </td><td>1</td><td>2</td></tr> </table> Hrs			1	2																																																			
		1	2																																																							

Detailed description of the information to be entered in the various boxes:

①Country: 3 2 = Switzerland

②Day Month Year 1 5 0 4 7 5 = 15 April 1975

③Type number/Version O P M 3 2 6 0 0 2 = Oscilloscope PM 3260, version 02 (in later oscilloscopes this number is placed in front of the serial no)

④Factory/Serial number D O 0 0 7 8 3 = DO 783 These data are mentioned on the type plate of the instrument

⑤ Nature of call: Enter a cross in the relevant box

⑥ Coded failure description

Location

--	--	--	--

These four boxes are used to isolate the problem area. Write the code of the part in which the fault occurs, e.g. unit no or mechanical item no of this part (refer to 'PARTS LISTS' in the manual).
 Example: 0001 for Unit 1
 000A for Unit A
 0075 for item 75
 If units are not numbered, do not fill in the four boxes; see Example Job sheet.

Component/sequence no.

--	--	--	--	--	--

These six boxes are intended to pinpoint the faulty component.
 A. Enter the component designation as used in the circuit diagram. If the designation is alfa-numeric, the letters must be written (starting from the left) in the two left-hand boxes and the figures must be written (in such a way that the last digit occupies the right-most box) in the four right-hand boxes.
 B. Parts not identified in the circuit diagram:
 990000 Unknown/Not applicable
 990001 Cabinet or rack (text plate, emblem, grip, rail, graticule, etc.)
 990002 Knob (incl. dial knob, cap, etc.)
 990003 Probe (only if attached to instrument)
 990004 Leads and associated plugs
 990005 Holder (valve, transistor, fuse, board, etc.)
 990006 Complete unit (p.w. board, h.t. unit, etc.)
 990007 Accessory (only those without type number)
 990008 Documentation (manual, supplement, etc.)
 990009 Foreign object
 990099 Miscellaneous

Category

--

- 0 Unknown, not applicable (fault not present, intermittent or disappeared)
- 1 Software error
- 2 Readjustment
- 3 Electrical repair (wiring, solder joint, etc.)
- 4 Mechanical repair (polishing, filing, remachining, etc.)
- 5 Replacement (of transistor, resistor, etc.)
- 6 Cleaning and/or lubrication
- 7 Operator error
- 8 Missing items (on pre-sale test)
- 9 Environmental requirements are not met

⑦ Job completed: Enter a cross when the job has been completed.

⑧ Working time: Enter the total number of working hours spent in connection with the job (excluding travelling, waiting time, etc.), using the last box for tenths of hours.

1 2 = 1,2 working hours (1 h 12 min.)



PHILIPS

SERVICE	Scientific & Analytical Equipment
	Test & Measuring Instruments
	Industrial Controls
	Welding
	Industrial Data-processing Systems

**Scientific &
Industrial
Equipment
Division**

811001

TEST AND MEASURING INSTRUMENTS

SGS 28

PM 5190X

The LF synthesizer PM 5190X is a special version of the PM 5190. The difference concerns the operating mode, i.e. the setting of the required frequency, AC and DC value.

Alterations of the instruments:

- ENTER key instead of RUB OUT key at the frontplate.
- PROM 334 on unit 2 is marked with the label "VX".
- The indication on the type plate is changed to PM 5190X, 9445 051 90901.

Alterations in the operating mode:

The value selected for FRQ, AC or DC which is indicated on the display will only be executed after pressing the button ENTER.

1. After erasing a display with the corresponding parameter key the previously entered signal is still available at the output. The newly selected parameter value which appears on the display, does not influence the output signal. This situation is indicated by blinking of the frequency dimension LED: This indication is used as well for entered frequency values as for AC and DC values. After pressing the ENTER key the newly selected signal will be executed and the blinking of the frequency dimension LED will stop.

The transition from the old to the new signal occurs phase-continuously, which serves for convenient operation, especially at low frequencies.

2. If the entered parameter value has to be erased before pressing the ENTER key, then the corresponding parameter key has to be pressed. Then the new value can be entered immediately.
3. If a display is erased by means of the corresponding parameter key, it is still possible by pressing ENTER to have the original value back on the display.



SERVICE

Scientific & Analytical Equipment
 Test & Measuring Instruments
 Industrial Controls
 Welding
 Industrial Data-processing Systems

Scientific &
 Industrial
 Equipment
 Division

810815

TEST AND MEASURING INSTRUMENTS

SGS29

PM 5190 LF synthesizer

Already published: -

re: Modifications in the instruments and instruction manual
9499 453 00502.

1. The following modifications are performed from series LO 05... onwards:

1.1. The measuring range has been extended from 2000 kHz to 2146 kHz. So the out-of-range indication LED starts flashing at 2147 kHz. This effects the pages

- E 1-2, 1-6, 3-1, 3-3, 3-4,
- D 1-2, 1-5, 3-1, 3-3, 3-4, and
- F 1-2, 1-5, 3-1, 3-3, 3-4

of the manual.

PROM, item 334 on unit 2, is now marked with the label "VF".

1.2. The mains fuse is now accessible at the rear side of the instrument. The internal fuse on unit 2 is short cut by a link (figs. 37, 44, 45 of the manual).

1.3. A new soldering terminal was introduced: chapter 7.1., item 18: 5322 290 30192

1.4. Zener diode BZV 14, pos. 408 on unit 1, is not available any more. So it is replaced by BZX 94, code no 5322 130 34397. Resistor 778 is then changed from 4K42 to 1K47.

1.5. In order to have improved glitch adjustment in the DAC, ICs 380, 381, 382, unit 1, are changed from type 74LS08 to SN7408N, code no. 5322 209 80151.

2. Amendments to chapters 1.2.2. (pages E 1-3, D 1-3 and F 1-3) for square wave specification:

rise time, fall time	< 50 ns	} amplitude settings
tilt	< 3 % (f < 100 kHz)	
overshoot	< 3 %	
		04.0 - 19.9 V
		0.40 - 1.99 V
		0.040 - .199 V

3. Alterations of chapters 1.2.7. Remote control (pages E 1-6, D 1-5 and F 1-5):

response time	7 ms for frequency
(between ETX and	10 ms for ac voltage
signal execution)	12 ms for dc voltage
	4 ms for wave form

4. Because of level differences between the TTL ICs 345 - 348 and the HEF ICs 349, 329, 328 on unit 2 it may happen that the IEC bus data on the DIO1 - DIO7 lines are not transmitted although the instrument is properly addressed.

So please insert 8 resistors 4K7 Ohm to the DIO1 - DIO7 lines and the enable input (pin 1 of 329) and connect them to +5 V.

5. In order to have improved electro-magnetic compatibility (EMC) it is recommended to connect the screen of the IEC bus cable, pin 13, to ground via closed solder joint A, unit 2. Grounding of the controller can be advantageous too.

On delivery state from series /05 onwards, solder joint A is closed.

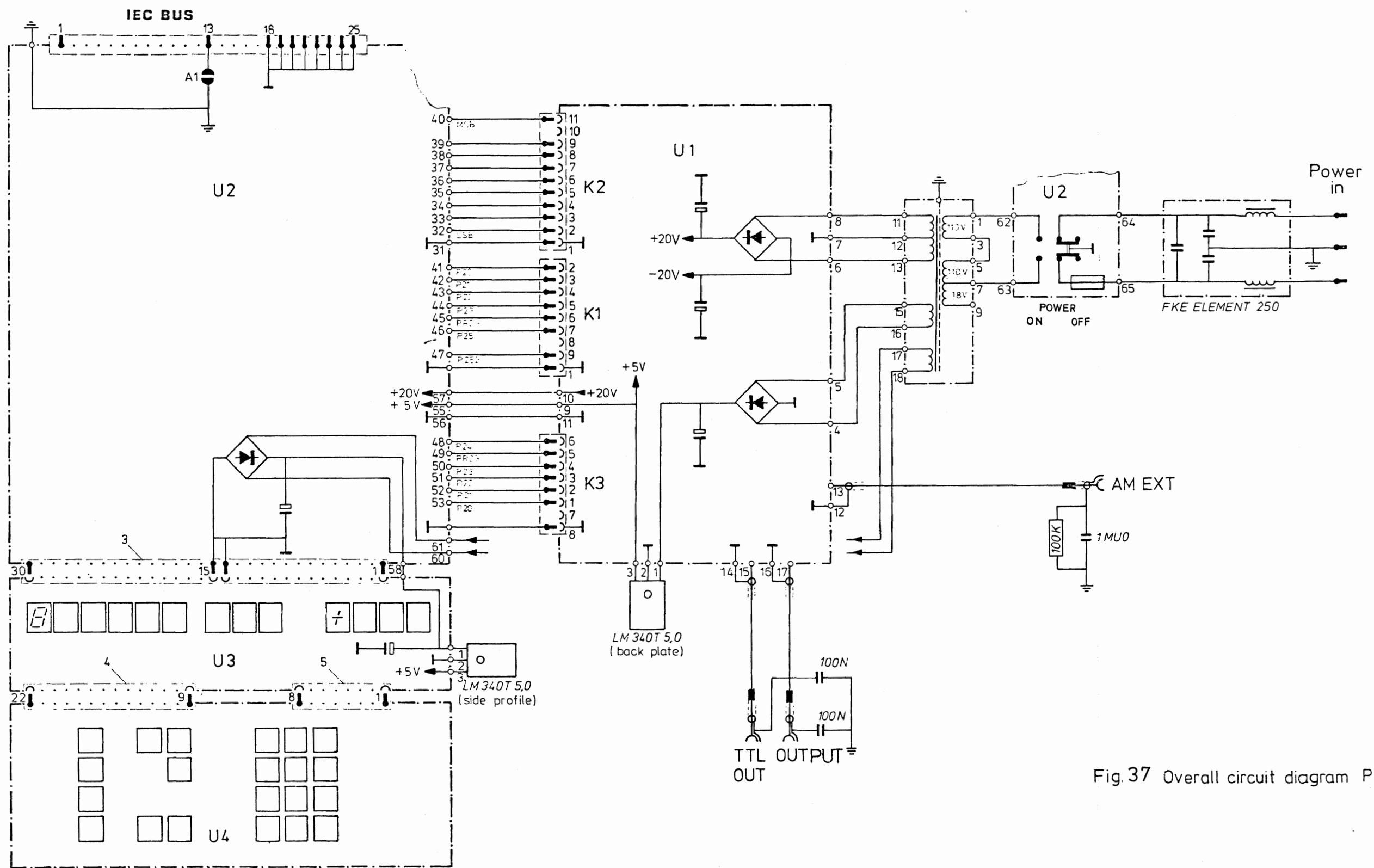


Fig. 37 Overall circuit diagram PM 5190

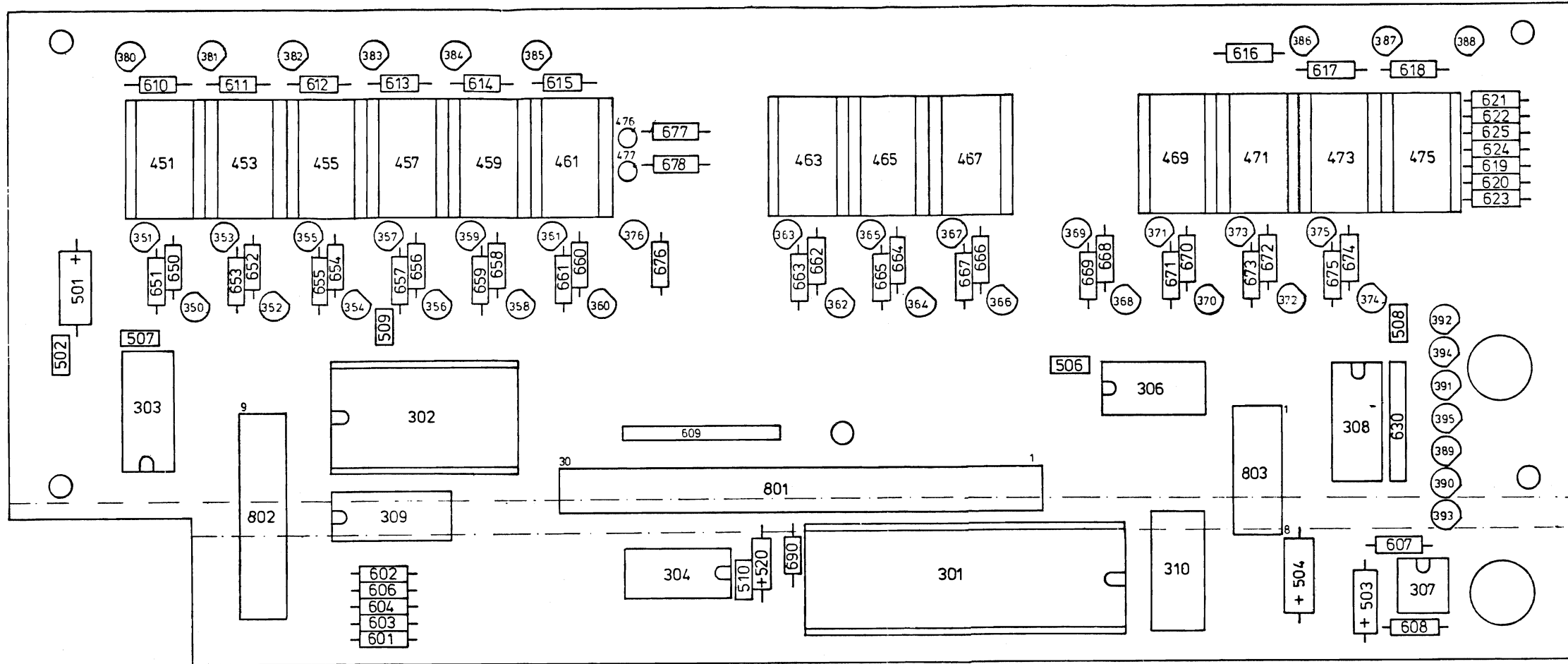


Fig. 38 Unit 3, display p.c.b. lay-out

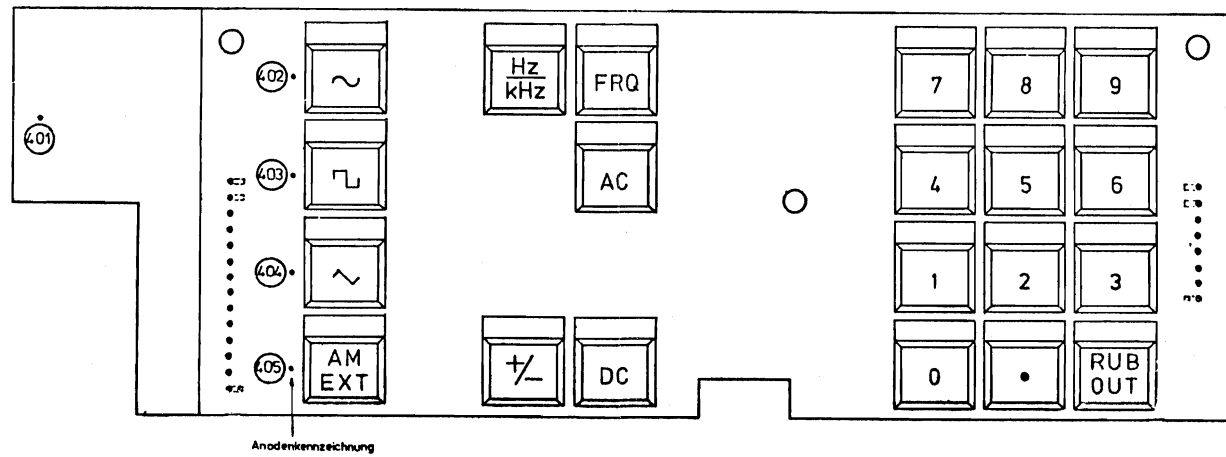


Fig. 39 Unit 4, keyboard p.c.b. lay-out

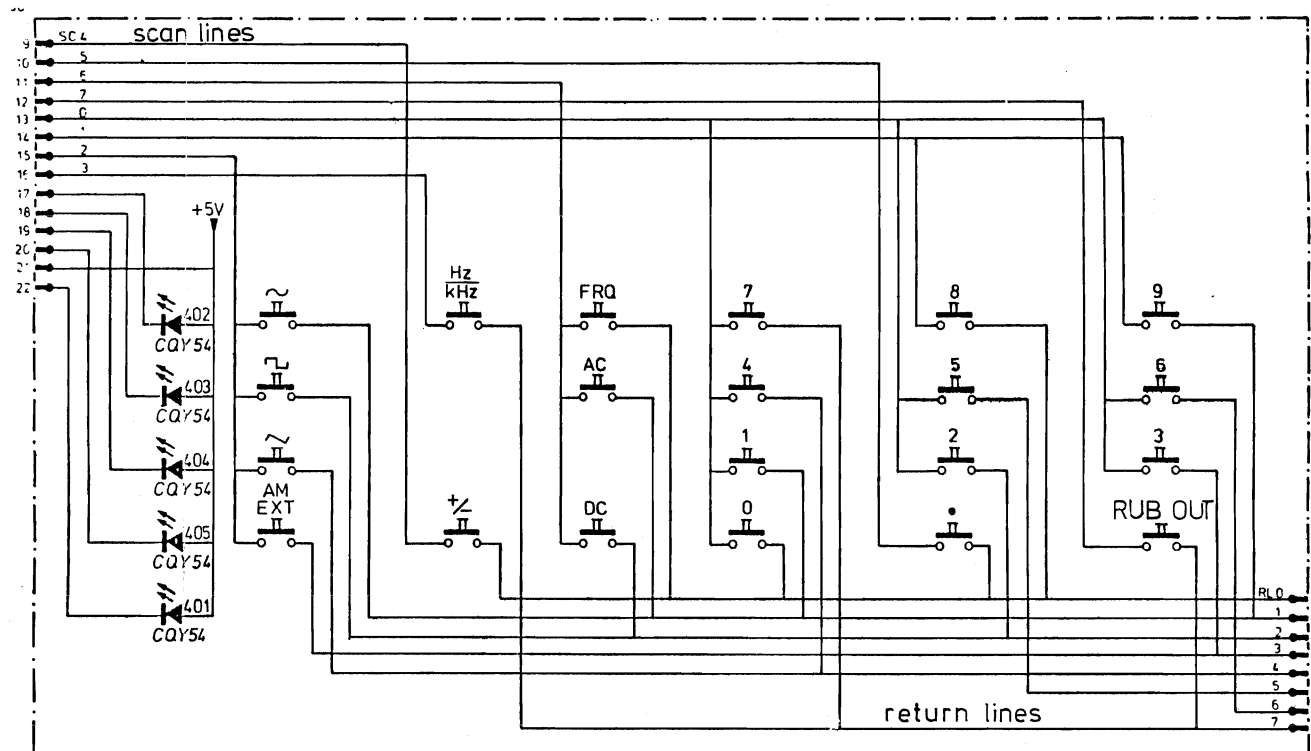


Fig. 40 Unit 4, keyboard circuit diagram

6.4.8.

FREQUENCY	Vacpp	Vdc	WAVE FORM	MEASURING VALUE (output socket)	COMMENT
-----------	-------	-----	-----------	---------------------------------	---------

1. Wave form

1 kHz	19.9	0	~	3.52 Veff ± 0.02 Veff	This value is adjustable with R 608 (adjustment may be done by means of an OSCILLOSCOPE).
	19.9	0	~	2.49 Veff ± 0.02 Veff	Adjustment with R 708
	19.9	0	⌋	4.97 " ± 0.03 "	

2. AM-MOD.

1 kHz	19.9	0	~ AM	1.76 Veff ± 0.03 Veff	Adjustment with R 729
	19.9	0	~ AM	1.245 " ± 0.025 "	

3. Frequency response

1 kHz	19.9	0	~	3.52 Veff ± 0.05 Veff	Adjustment with C 541
100 "	19.9	0	~	" " ± " "	
500 "	19.9	0	~	" " +0.05 "	
100 Hz	19.9	0	~	" " -0.10 "	
2 MHz	19.9	0	~	" " +0.05 "	
				" " -0.15 "	
				" " +0.05 "	
				" " -0.15 "	
1 kHz	3.2	0	~	0.566 Veff ± 8 mVeff	
100 "	3.2	0	~	" " ± " "	
500 "	3.2	0	~	" " ± 12 "	
1 MHz	3.2	0	~	" " ± " "	
2 MHz	3.2	0	~	" " ± " "	
1 kHz	.20	0	~	35.3 mVeff ± 0.5 mVeff	
100 "	"	0	~	" " ± " "	
500 "	"	0	~	" " +0.5 mVeff	
1 MHz	"	0	~	" " -1.4 mVeff	
2 "	"	0	~	" " ± " "	
				" " +0.5 mVeff	
				" " -1.7 mVeff	

4. DC-generator

0	00.0	± 9.9		± 9.9 V 0.1 V	Adjustment with R 779 values are measured without 50 Ohm terminator.
"	"	± 6.4		± 6.4 V ± 0.1 V	
"	"	± 3.2		± 3.2 V ± 0.08 V	Basic-offset
"	"	± 1.6		± 1.6 V ± 0.04 V	
"	"	± 0.8		± 0.8 V ± 0.02 V	
"	"	± 0.4		± 0.4 V ± 0.01 V	
"	"	± 0.2		± 0.2 V ± 0.005 V	
"	"	± 0.1		± 0.1 V ± 0.003 V	
"	.000	± .05		± 50 mV ± 1.5 mV	
"	"	± .005		± 5 mV ± 1 mV	

FREQUENCY	Vacpp	Vdc	WAVE FORM	MEASURING VALUE (output socket)	COMMENT
-----------	-------	-----	-----------	---------------------------------	---------

5. Frequency accuracy

3.84 Hz				260416.66 μs ± 0.2 μs	These tolerances are effective for a deviation of the crystal-frequency = 0 (f = 8.589934 MHz). The temperature coefficient is 8 Hz/°C. Take the TTL-OUT socket for these frequency measurements.
4.096 "				244140.6 μs ± 0.2 μs	
4.097 "				244081.03 μs ± 0.2 μs	
4.111 "				243249.6 μs ± 0.2 μs	
4.112 "				243190.6 μs ± 0.2 μs	
4.336 "				230627.3 μs ± 0.2 μs	
61.440 "				16276.04 μs ± 0.02 μs ± 0.12 μs	
65.535 "				15259.02 μs ± 0.01 μs ± 0.12 μs	
65.536 "				15258.78 μs ± 0.01 μs ± 0.12 μs	
938.04 "				1017.252 μs ± 0.001 μs ± 0.12 μs	
1.04857 kHz				± 0.01 Hz	The signal-quantization implies a statistical jump by a clock period of about 120 us.
1.04858 "				± 0.01 Hz	
15.7287 "				± 0.01 Hz	
16.7773 "				± 0.1 Hz	
251.659 "				± 0.2 Hz	
268.436 "				± 0.2 Hz	
1879.05 "				± 2 Hz	
2147.48 "				± 2 Hz	

6. Frequency spectrum

1 kHz	19.9	0	~	k < 0.3%	With spectrum analyzer
50 "	19.9	0	~	k < 0.3%	
500 "	19.9	0	~	k < 1.3%	
1 MHz	19.9	0	~	k < 1.3%	Disharmonic components
2 "	19.9	0	~	k < 1.6%	
2 "	19.9	0	~	< -49 dB	
2 "	0.2	0	~	< -35 dB	
1 "	19.9	0	~	t _r < 50 ns t _f < 50 ns	

7. AM-MOD. EXT.

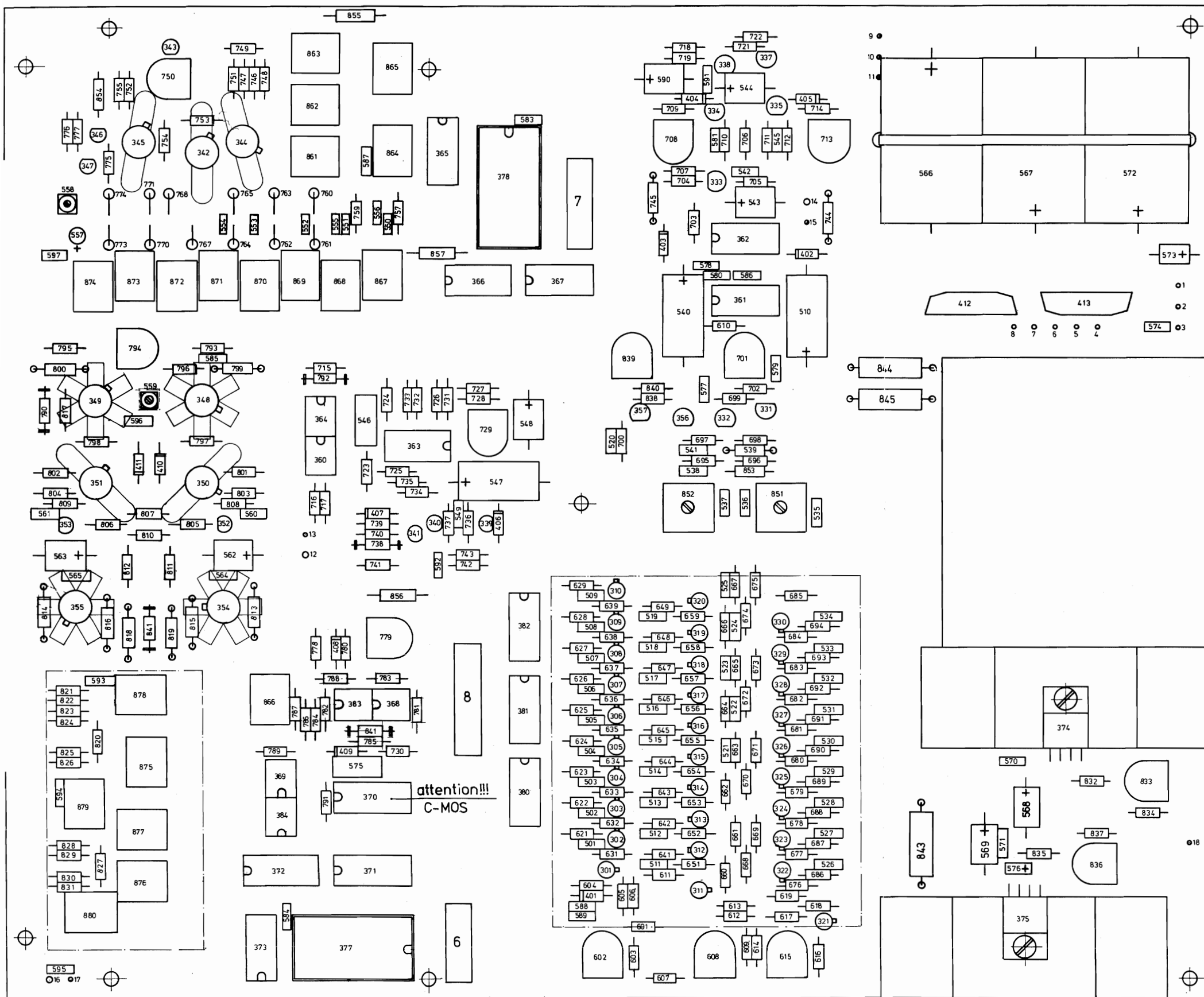
1 kHz	10.0 V	0	~	0.884 ± 0.017	U _{mod} = 300 mVpp; f _{LF} = 1 kHz
1 MHz	10.0 V	0	~	" ± 0.05	
2 "	10.0 V	0	~	" ± 0.067	
200 kHz	10.0 mV	0	~	m = 30% ± 3% -16.5 ± 0.5 dB	
200 kHz	10.0 "	0	~	" ± " distance in	
2 MHz	10.0 "	0	~	" ± 4% the spectrum	
200 kHz	10.0 "	0	~	m = 90% ± 3%	
90 "	10.0 "	0	~	" ± 2% (oscilloscope)	
				" = 900 mVpp; f _{LF} = 1 kHz	
				" = 2 " " = 1 kHz	

8. Square wave, overshoot

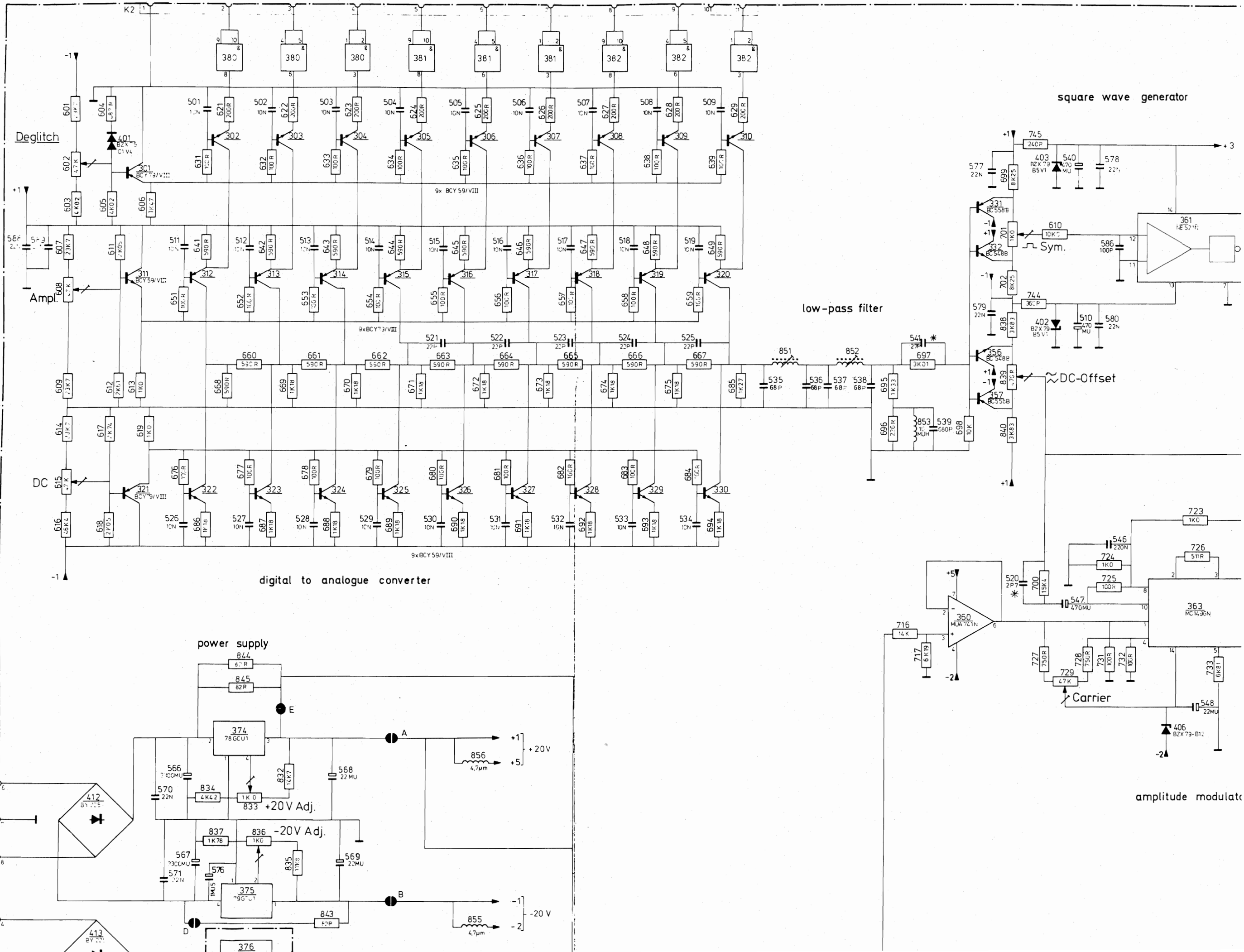
100 kHz	19.9	0	~	overshoot < 3%	
" "	12.8	0	~	" " "	
" "	06.4	0	~	" " "	
" "	03.2	0	~	" " "	
" "	1.60	0	~	" " "	
" "	0.80	0	~	" " "	
" "	0.40	0	~	" " "	
" "	0.20	0	~	" " "	
" "	0.1	0	~	" " "	
" "	1.99	0	~	" " "	
" "	0.199	0	~	" " "	
" "	10 mV	0	~	no overshoot visible	
" "	1 mV	0	~	" " "	

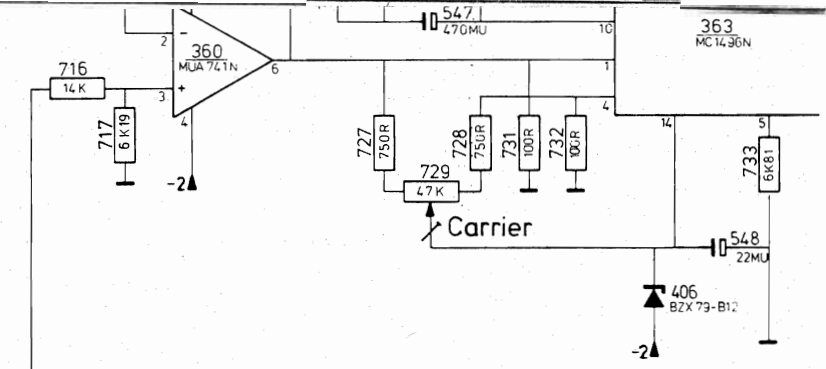
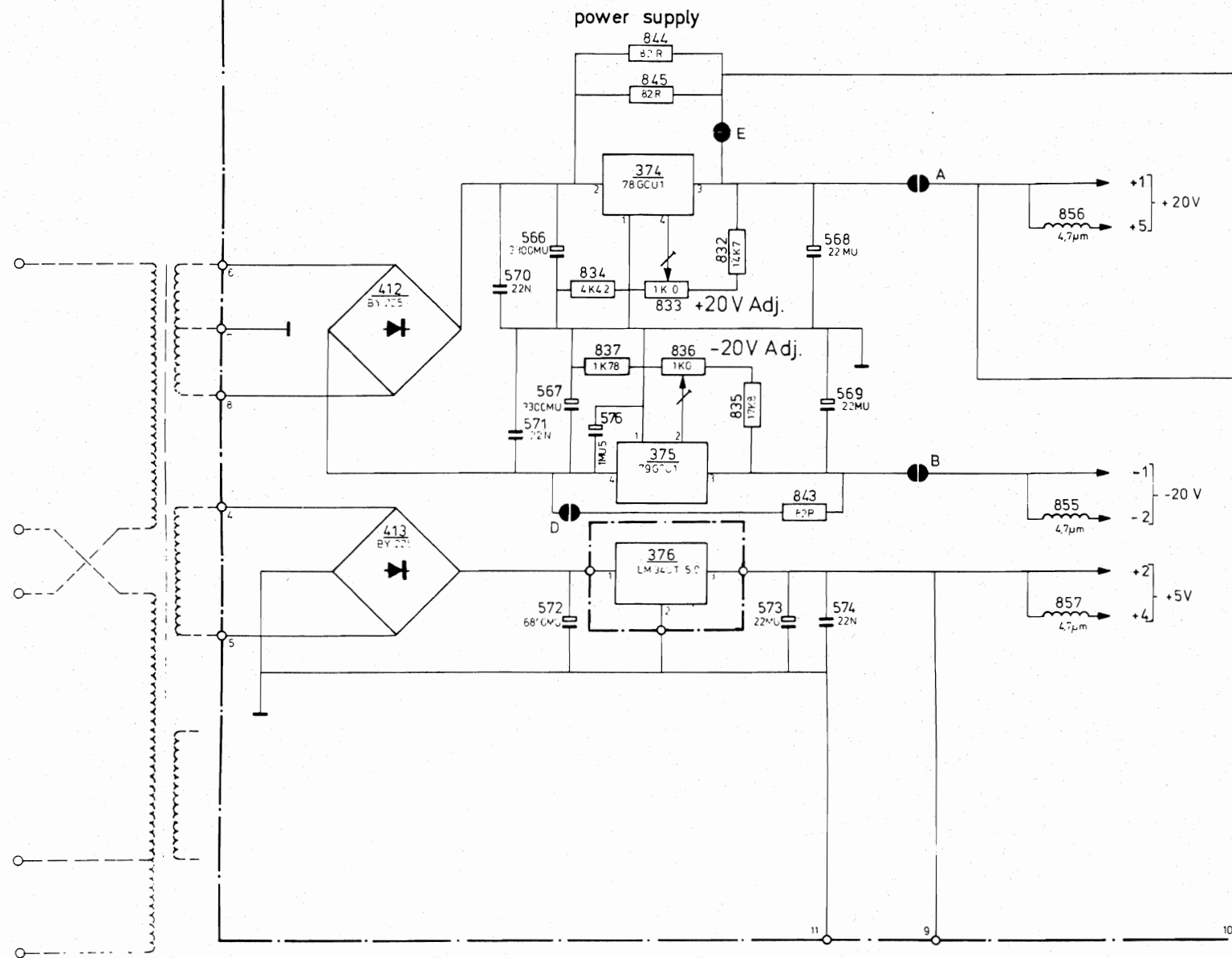
9. TTL-out

1 kHz	0	0	~	H-level 4.5 V ± 1 V	with a load of 10 TTL-inputs
1 MHz	0	0	~	L-level 0.2 V ± 0.5 V	
				ringing < 10 %	

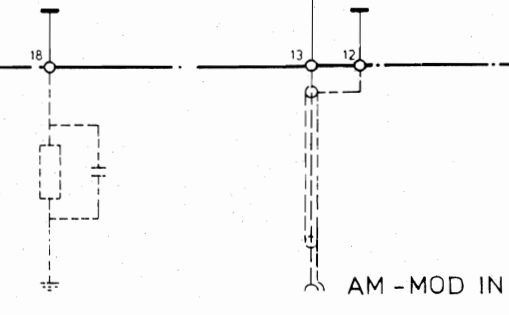


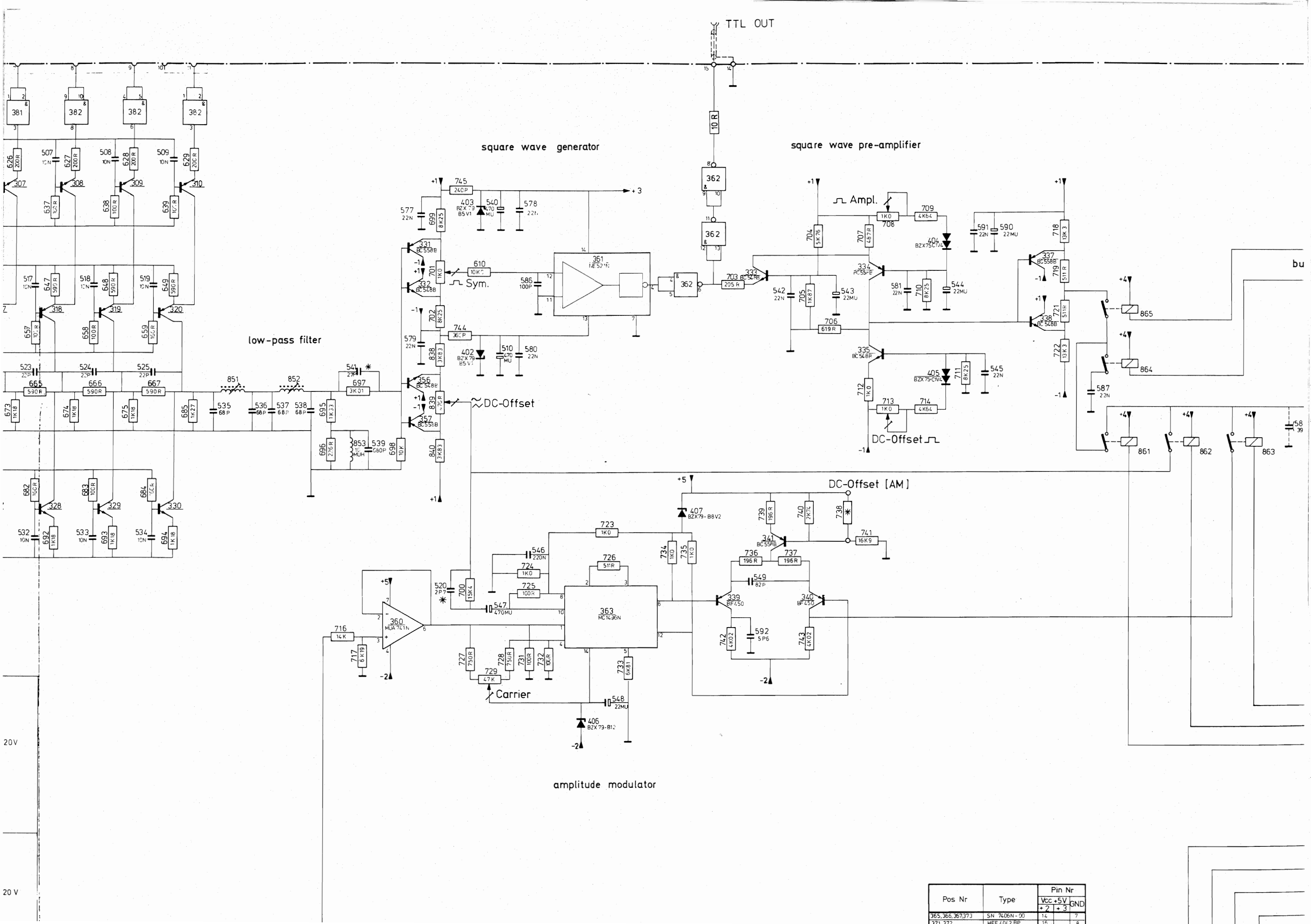
unit 2, completer 2





amplitude modulator





square wave generator

square wave pre-amplifier

low-pass filter

amplitude modulator

TTL OUT

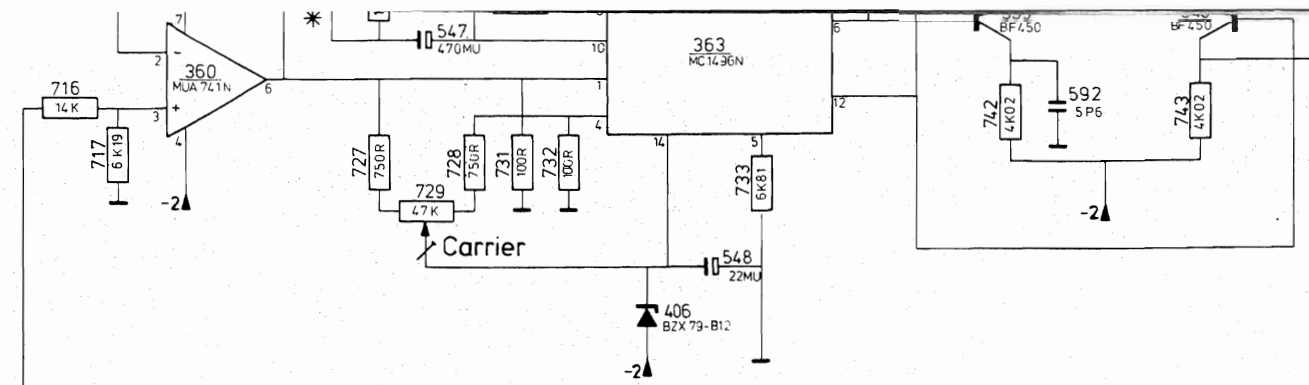
bu

20V

20V

Pos Nr	Type	Pin Nr	
		Vcc +5V	GND
365, 366, 367, 373	SN 7406N-00	14	7
371, 372	WEE 40L2 BP	15	8

20V
20V
5V



amplitude modulator

Pos Nr	Type	Pin Nr		
		Vcc +5V	+2	GND
365, 366, 367, 373	SN 7406N-00	14	7	
371, 372	HEF 4042 BP	15		8
377, 378	P 8243	24		12
380, 381, 382	SN 74LS 06N	14		7
362	SN 74LS 37N 00		14	7

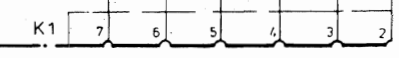
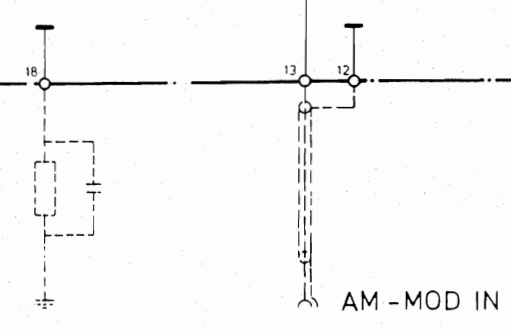
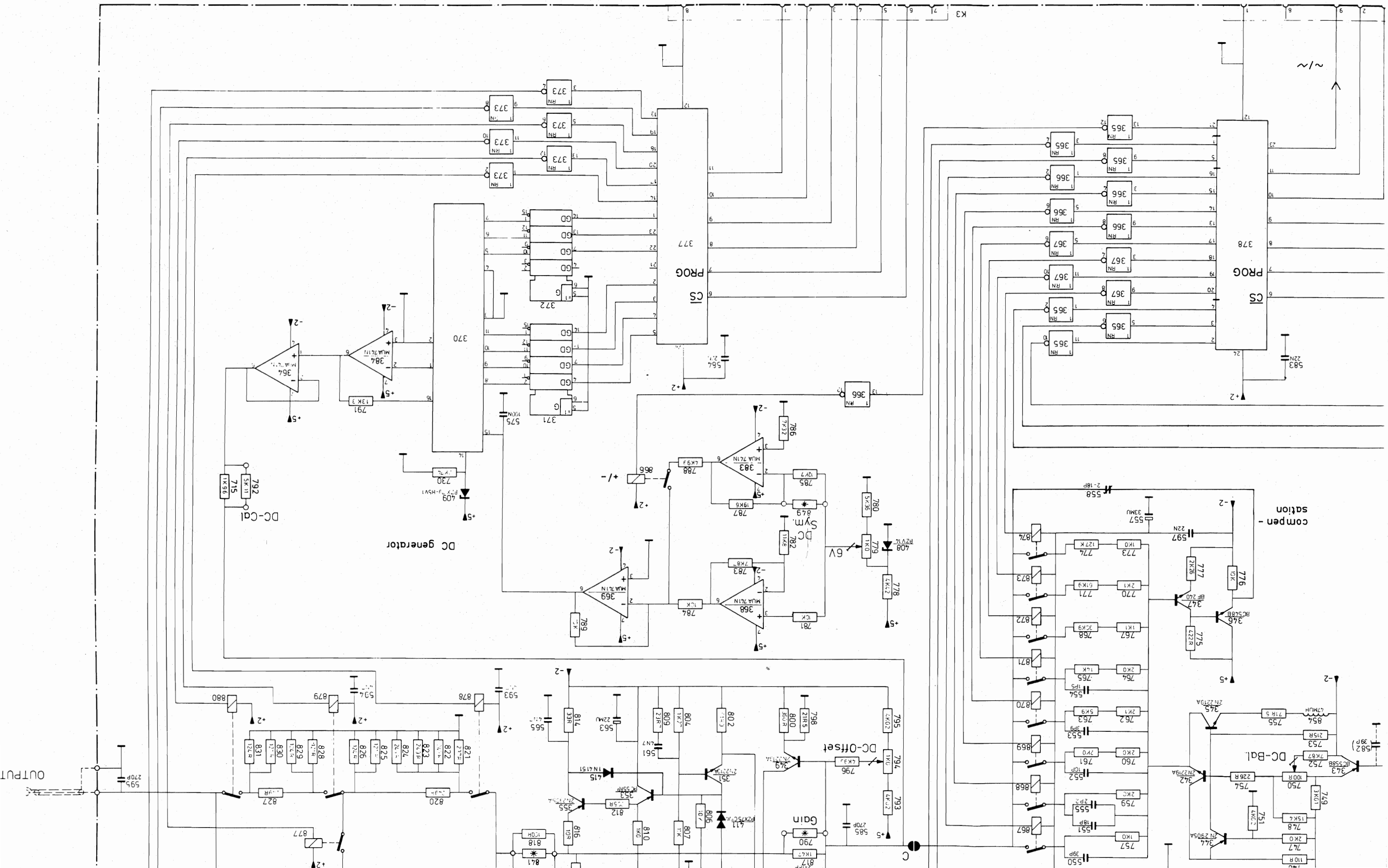
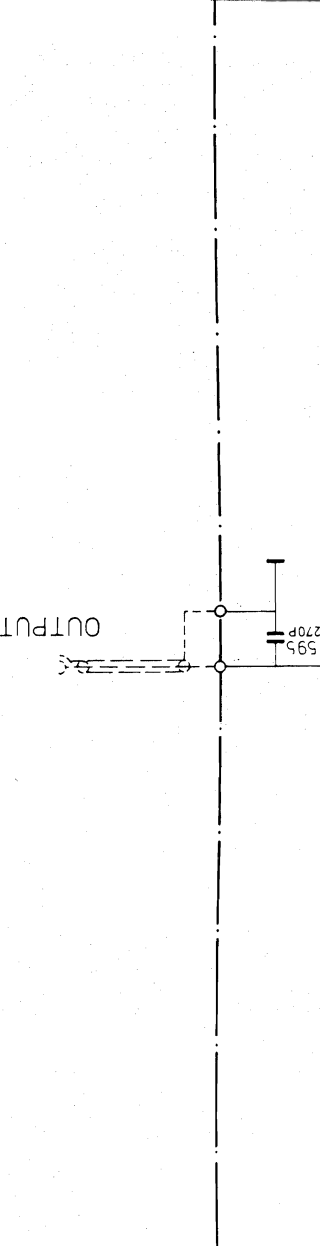
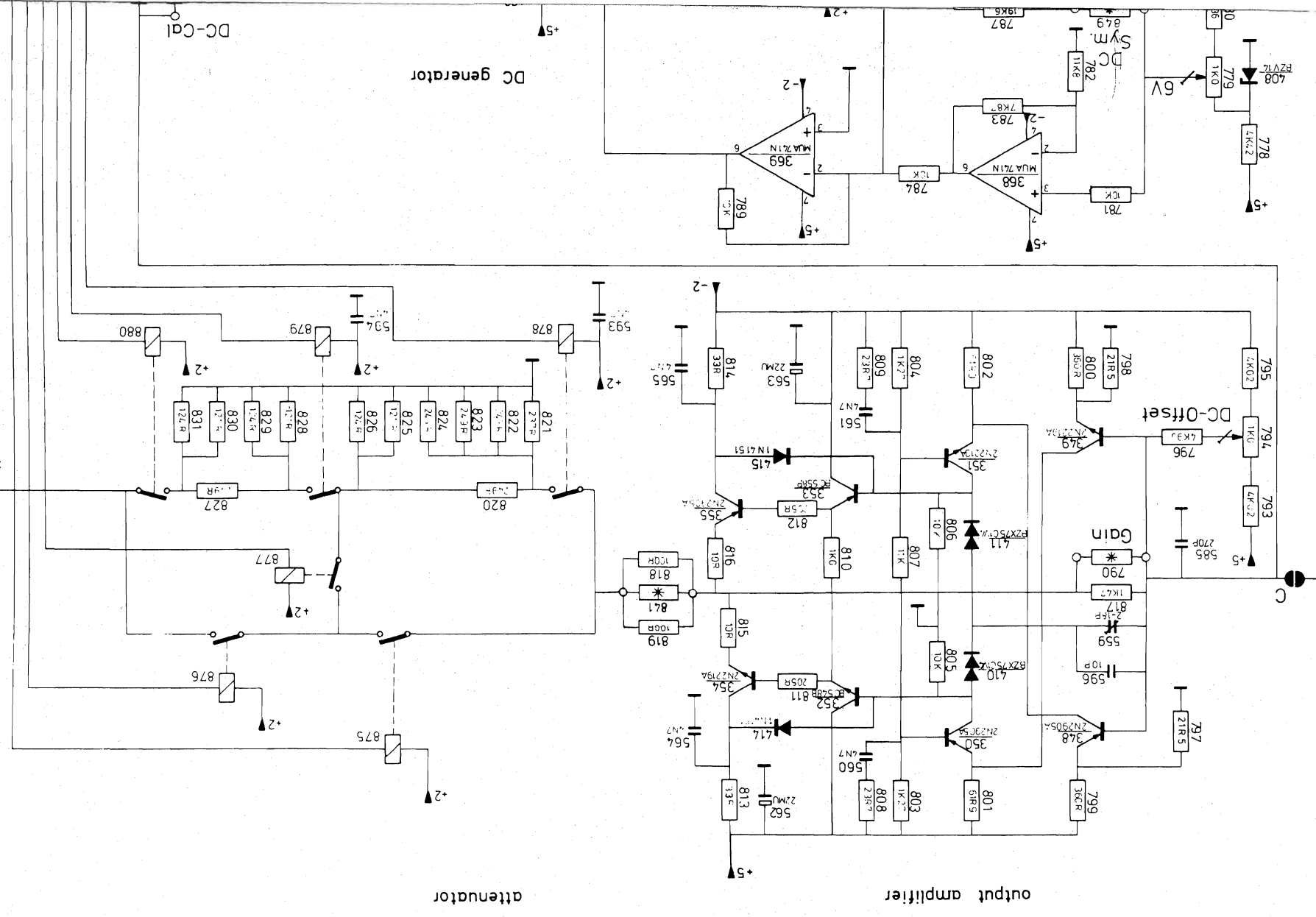
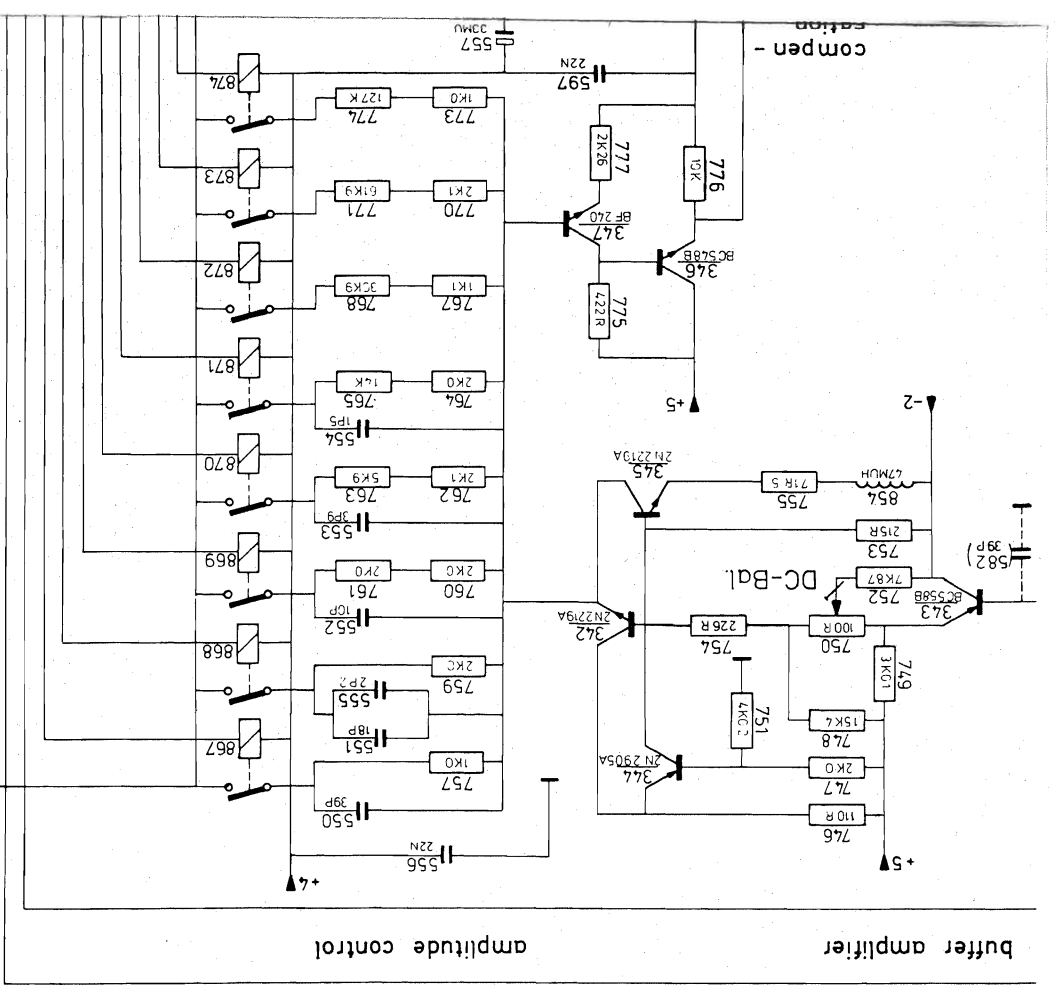
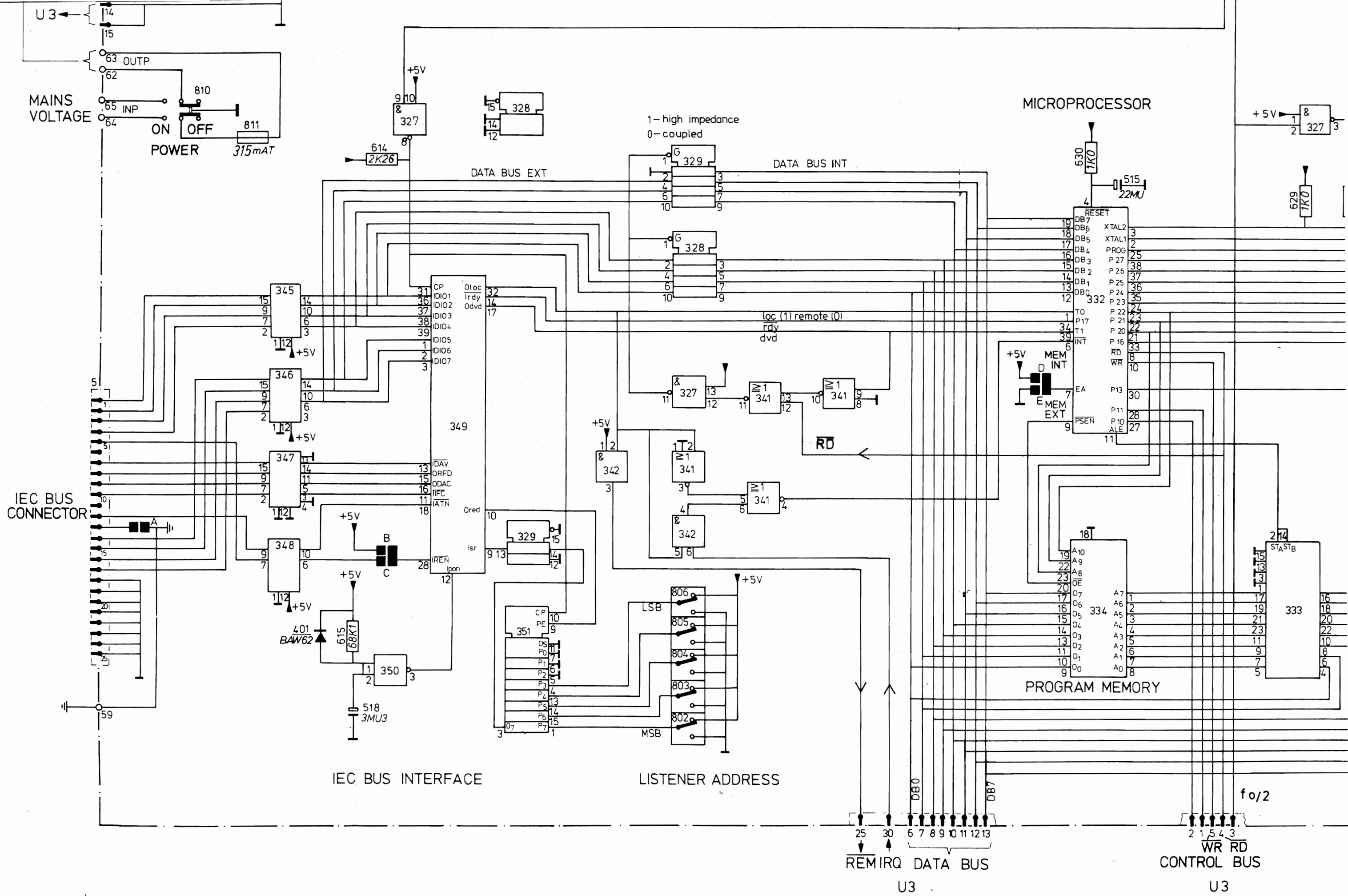
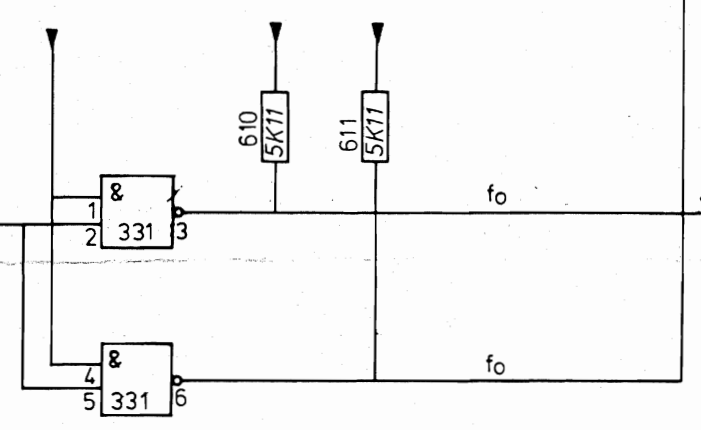
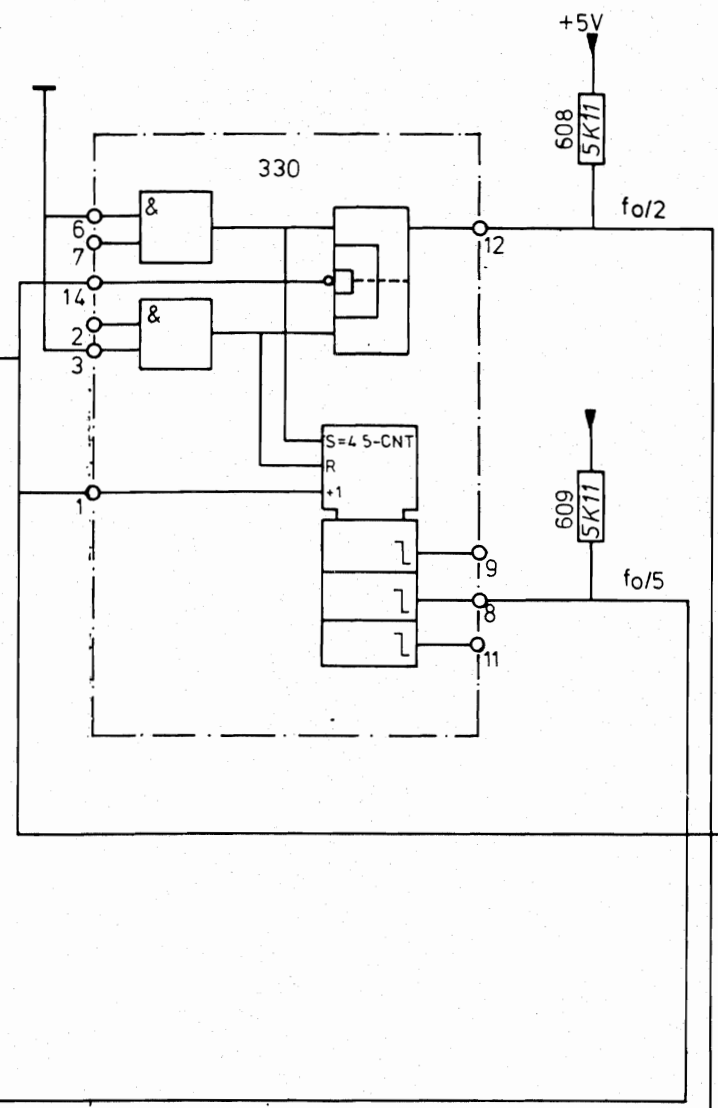
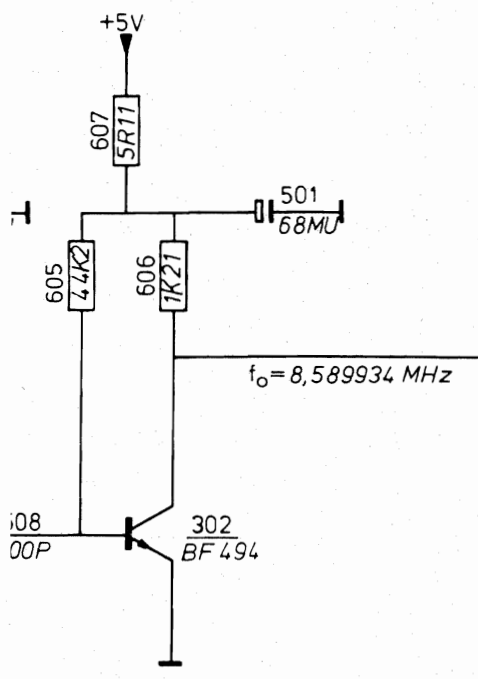


Fig. 43 Unit 1

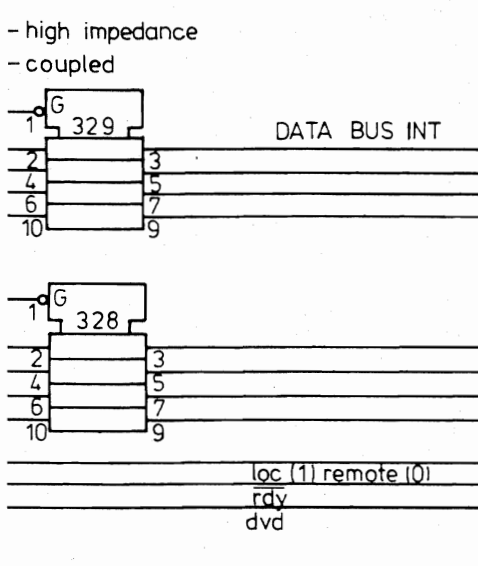
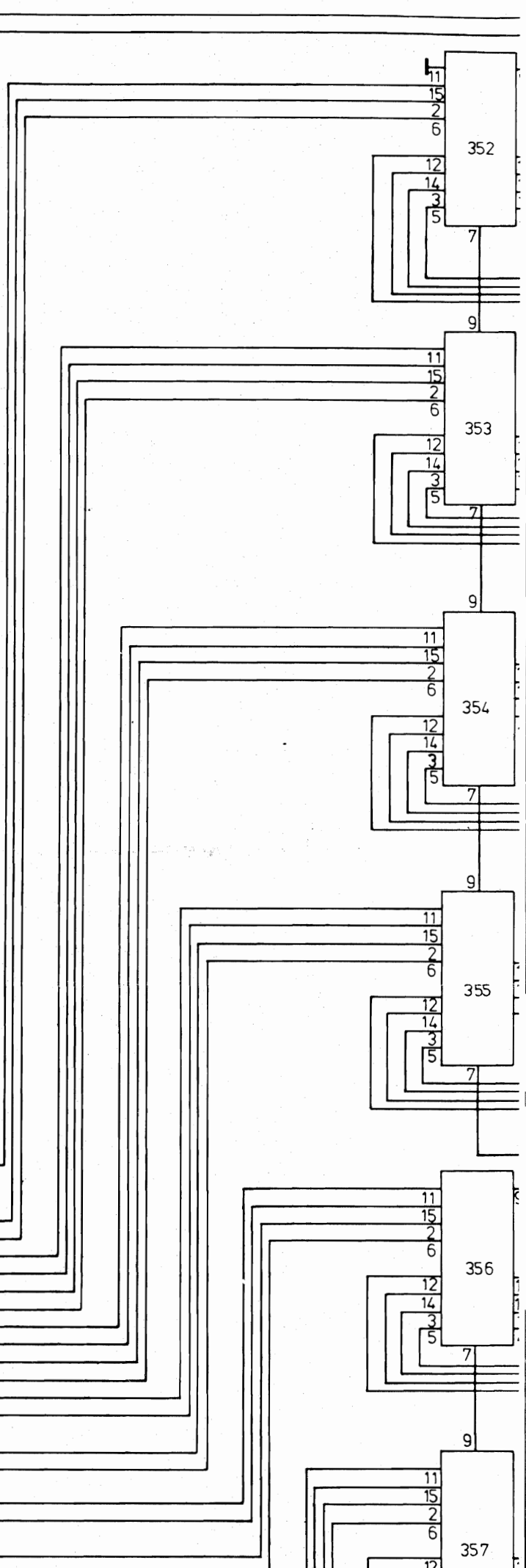




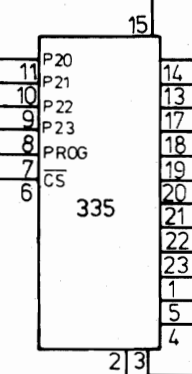
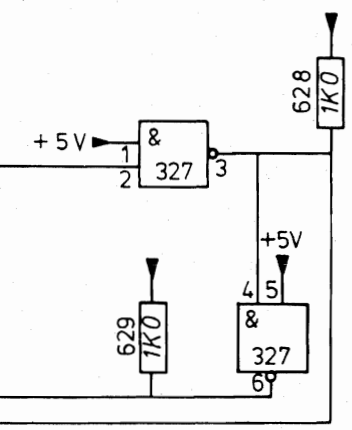
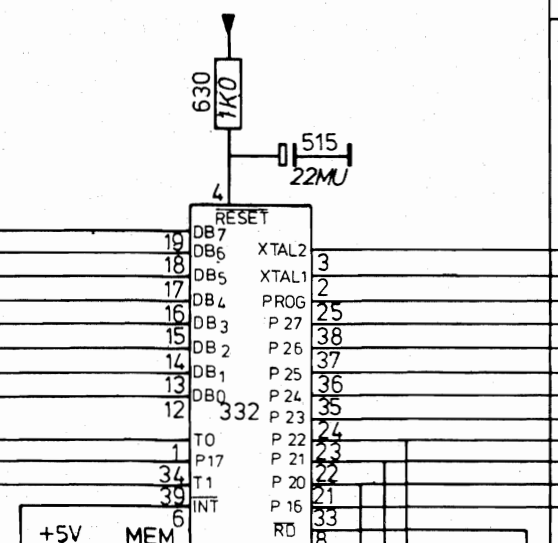


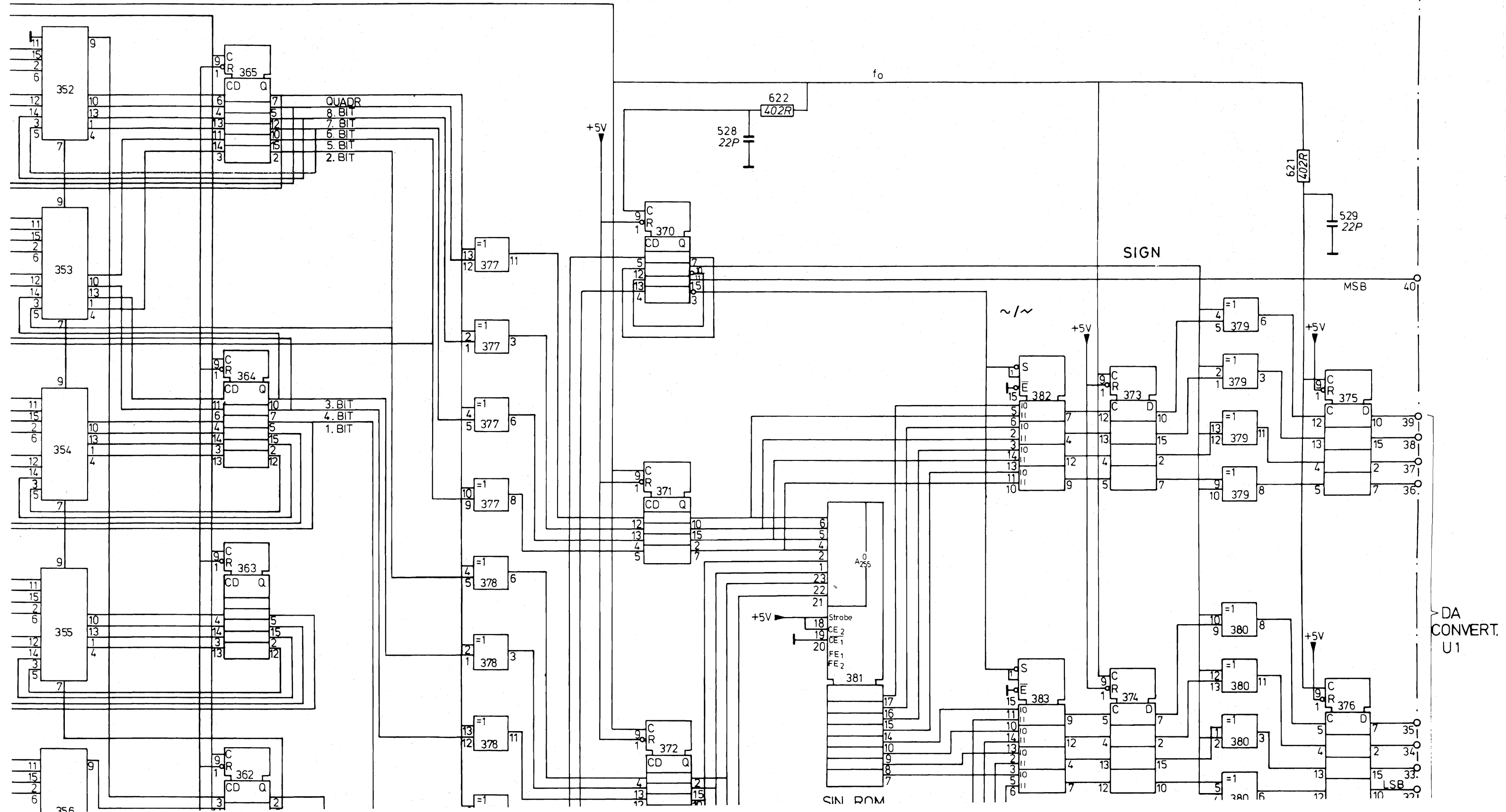


I/O EXPANDER



MICROPROCESSOR





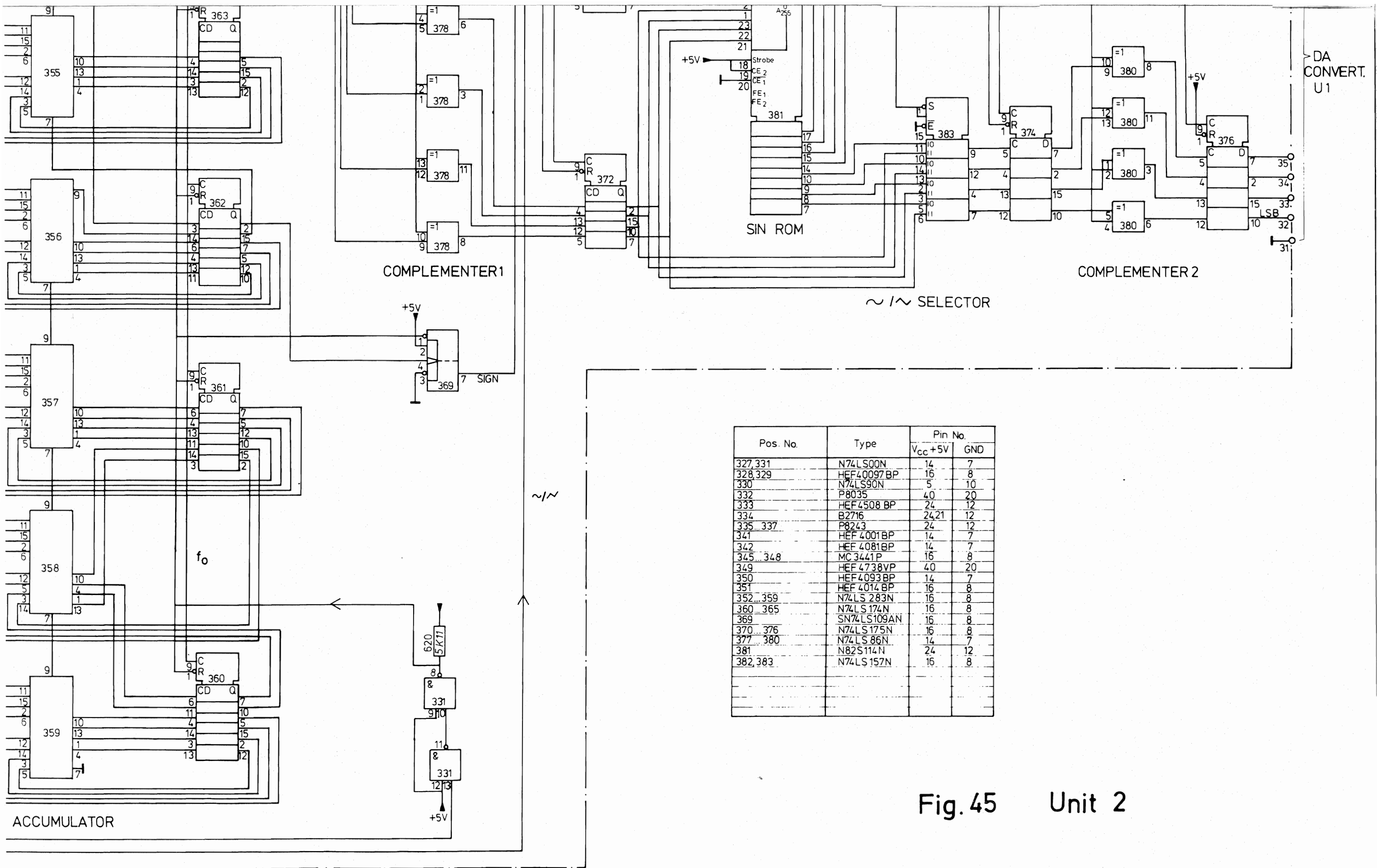


Fig. 45 Unit 2